

SPECIFICATIONS

ACOUSTIC & ELECTRICAL SPECIFICATIONS:

- Rated Impedance: 6 ohm
- Minimum Impedance: 5.3 ohm
- Frequency Response (-6dB): 35 Hz to 32 kHz (Half Space)
- Sensitivity: 87 dB for 2.83V @ 1m
- Crossover Frequencies: 2500 Hz

SYSTEM COMPONENTS:

- Cabinet: C60T (Oiled Walnut)
- Grille: G60T

SYSTEM COMPONENTS: (cont'd)

- Bass Transducer: 116H-1, 8" Cone Type
- High Frequency Transducer: 035Ti, 1" Titanium Dome
- Crossover Network: N60T, 2 Way, 12 dB/OCT

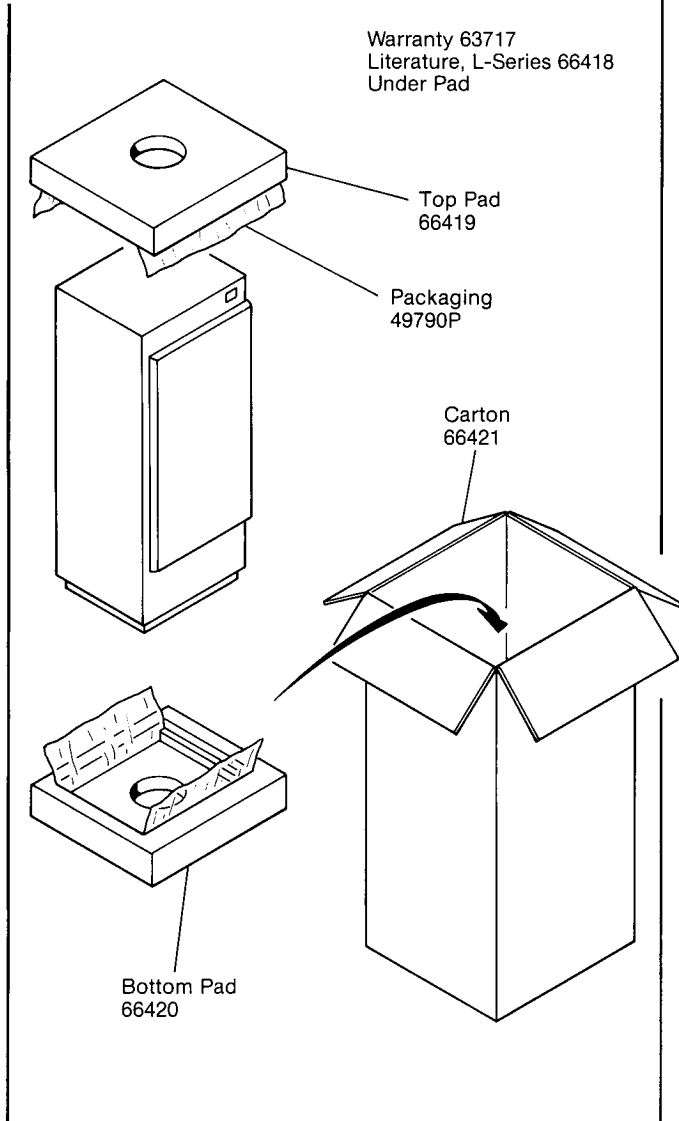
PHYSICAL SPECIFICATIONS:

- Enclosure Dimensions: 30.5 x 12 x 10 D (inch)
1.45 cu. ft.
- Shipping Weight: 43 lbs.

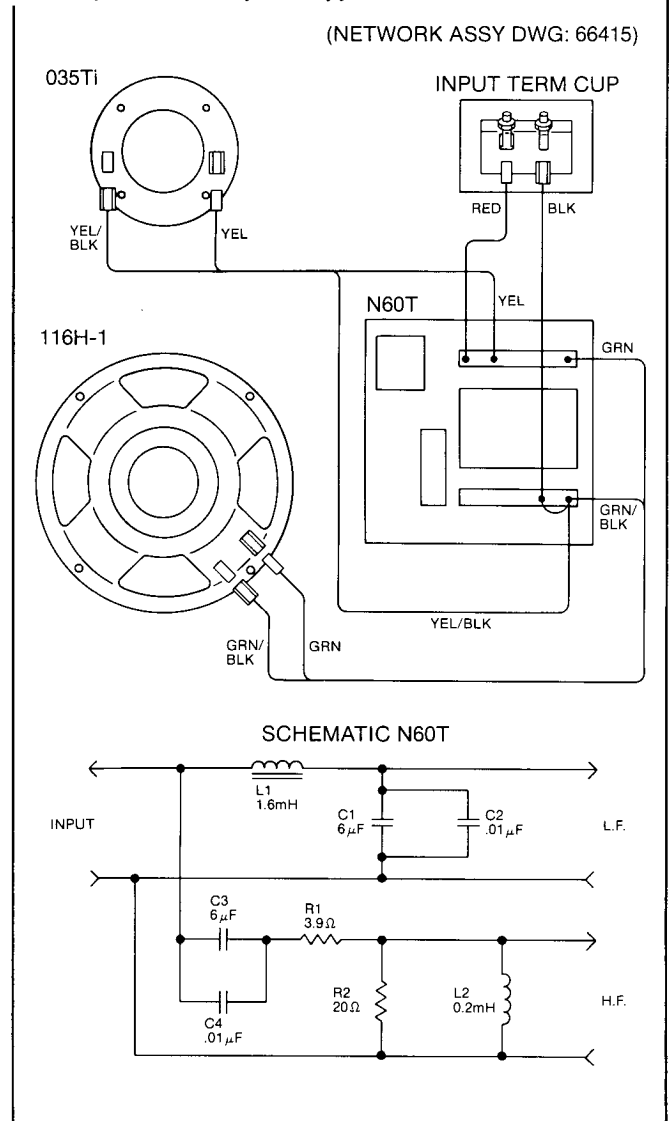
TEST SPECIFICATION:

- EST 1314

PACKAGE



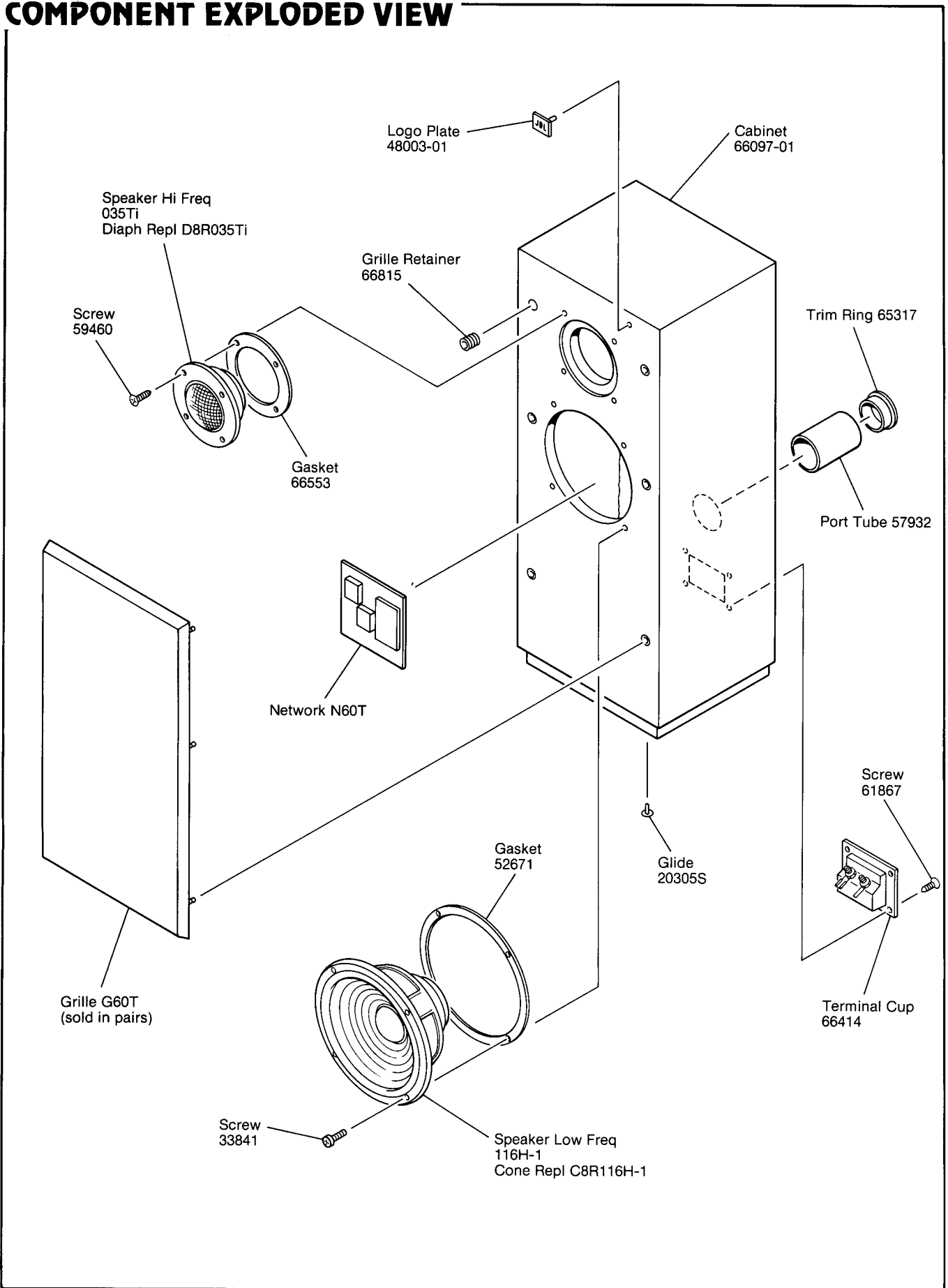
WIRING DIAGRAM



DRIVER	TEST VOLTAGE	SWEEP FREQUENCY	GAP GAUGE	DCR MIN-MAX.
035Ti	2.83	2KHZ-20KHZ	.031"	3.5-4.2 OHMS
116H-3	6	20HZ-2KHZ	.057"	4.0-4.5 OHMS

L60T

COMPONENT EXPLODED VIEW



L60T