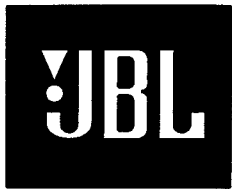


L6000



SPECIFICATIONS

ACOUSTIC & ELECTRICAL SPECIFICATIONS:

- * Nominal Impedance: 4 ohm
- * Recommended Amp Power: 50-200W
- * Frequency Response: 60 Hz - 20 kHz (± 2 dB)
- * Sensitivity: 88 dB / 2,83V / 1 m
- * Crossover frequency: 125HZ / 2,5 kHz

SYSTEM COMPONENTS:

- * Cabinet: CL6000 (Not for sale)
- * Grille: GL6000 (2407390)
- * Woofer: 706H 165mm Woofer
37mm voice coil
- DC Resistance: 3,8 ohm

SYSTEM COMPONENTS: (cont'd)

- * Tweeter: 050TI 25mm
Titanium Dome Tweeter
- DC Resistance: 3,8 ohm
- * Crossover Network: NL6000 (2707390)

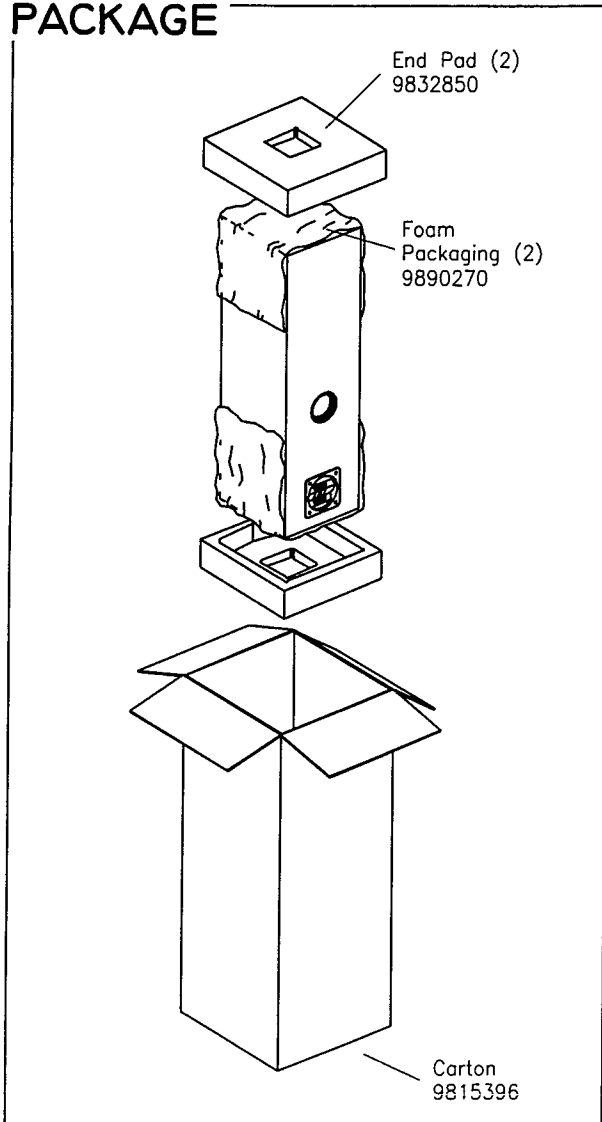
PHYSICAL SPECIFICATIONS:

- * Enclosure Dimensions (H.W.D): 35,4x10,2x13 in. D
(900x260x330mm D)
- * Shipping Weight: 53 lbs. (24 kg.)

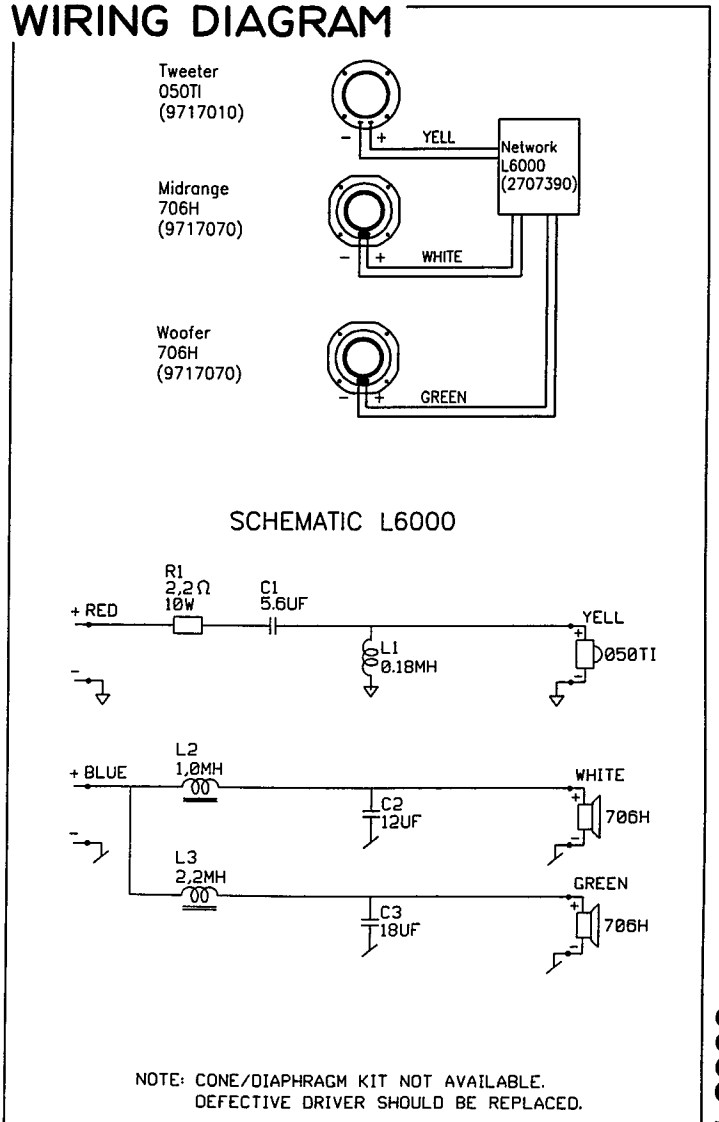
WARRANTY INFORMATION:

- * Refer to the Warranty Statement packed with each product

PACKAGE

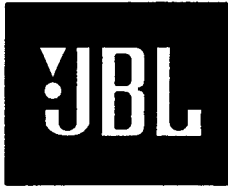


WIRING DIAGRAM



L6000

Valid from serial no. 01001
Rev. 28/3-1996



L6000

SPECIFICATIONS

ACOUSTIC & ELECTRICAL SPECIFICATIONS:

- * Nominal Impedance: 4 ohm
- * Recommended Amp Power: 50-200W
- * Frequency Response: 60 Hz - 20 kHz (± 2 dB)
- * Sensitivity: 88 dB / 2,83V / 1 m
- * Crossover frequency: 125Hz / 2,5 kHz

SYSTEM COMPONENTS:

- * Cabinet: CL6000 (Not for sale)
- * Grille: GL6000 (2407390)
- * Woofer: 706H 165mm Woofer
37mm voice coil
- DC Resistance: 3,8 ohm

SYSTEM COMPONENTS: (cont'd)

- * Tweeter: 050TI 25mm
Titanium Dome Tweeter
- DC Resistance: 3,8 ohm
- * Crossover Network: NL6000 (2707390)

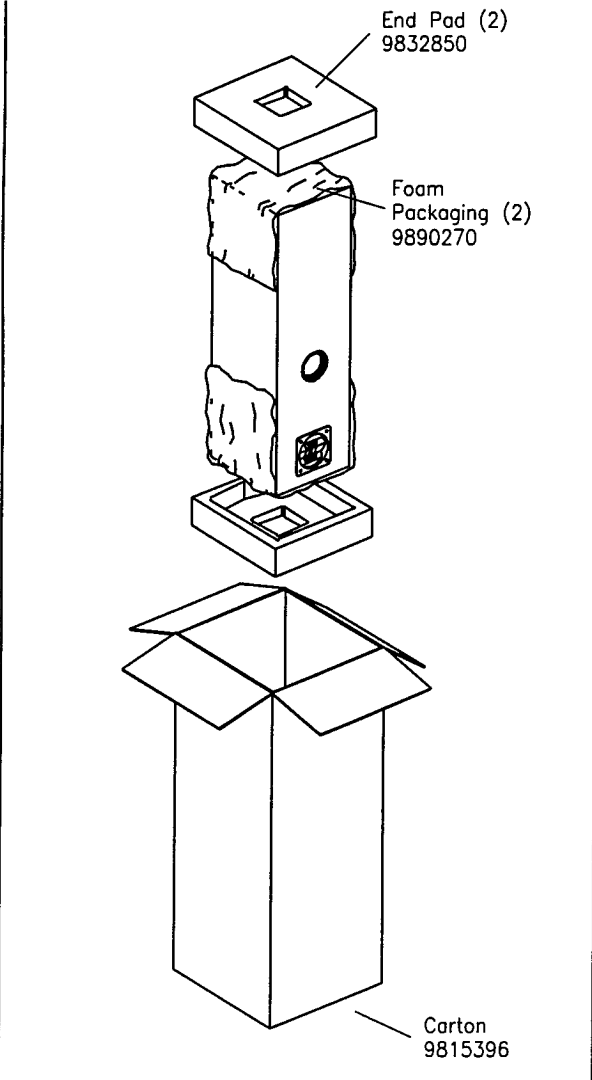
PHYSICAL SPECIFICATIONS:

- * Enclosure Dimensions (H.W.D): 35,4x10,2x13 in. D
(900x260x330mm D)
- * Shipping Weight: 53 lbs. (24 kg.)

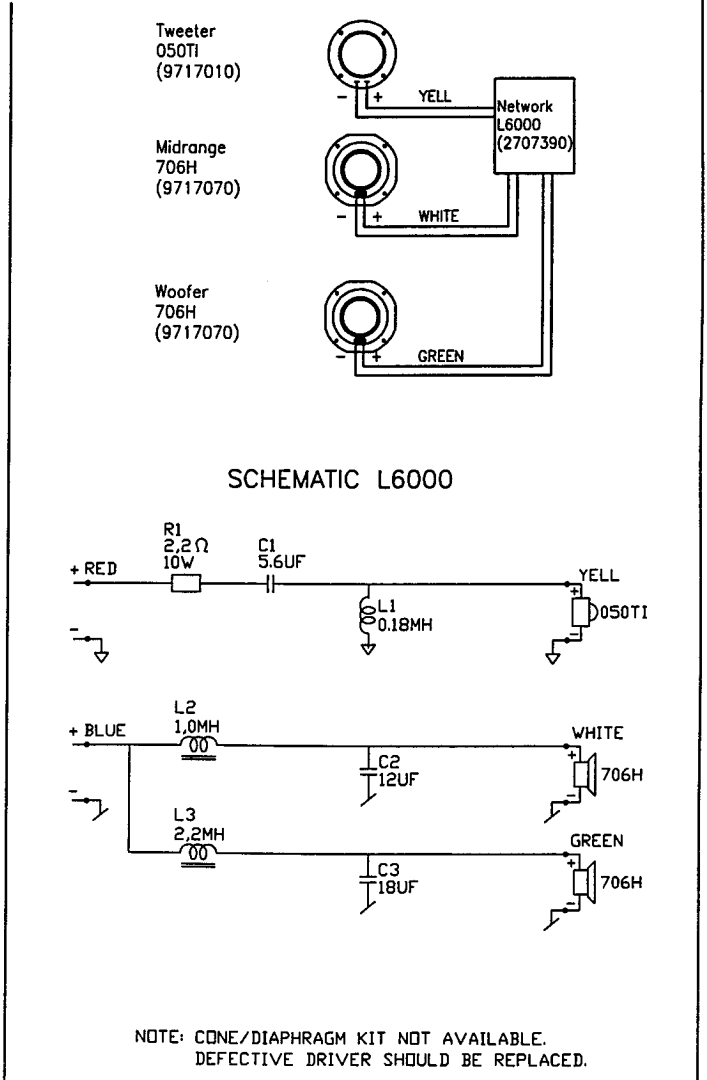
WARRANTY INFORMATION:

- * Refer to the Warranty Statement packed with each product

PACKAGE



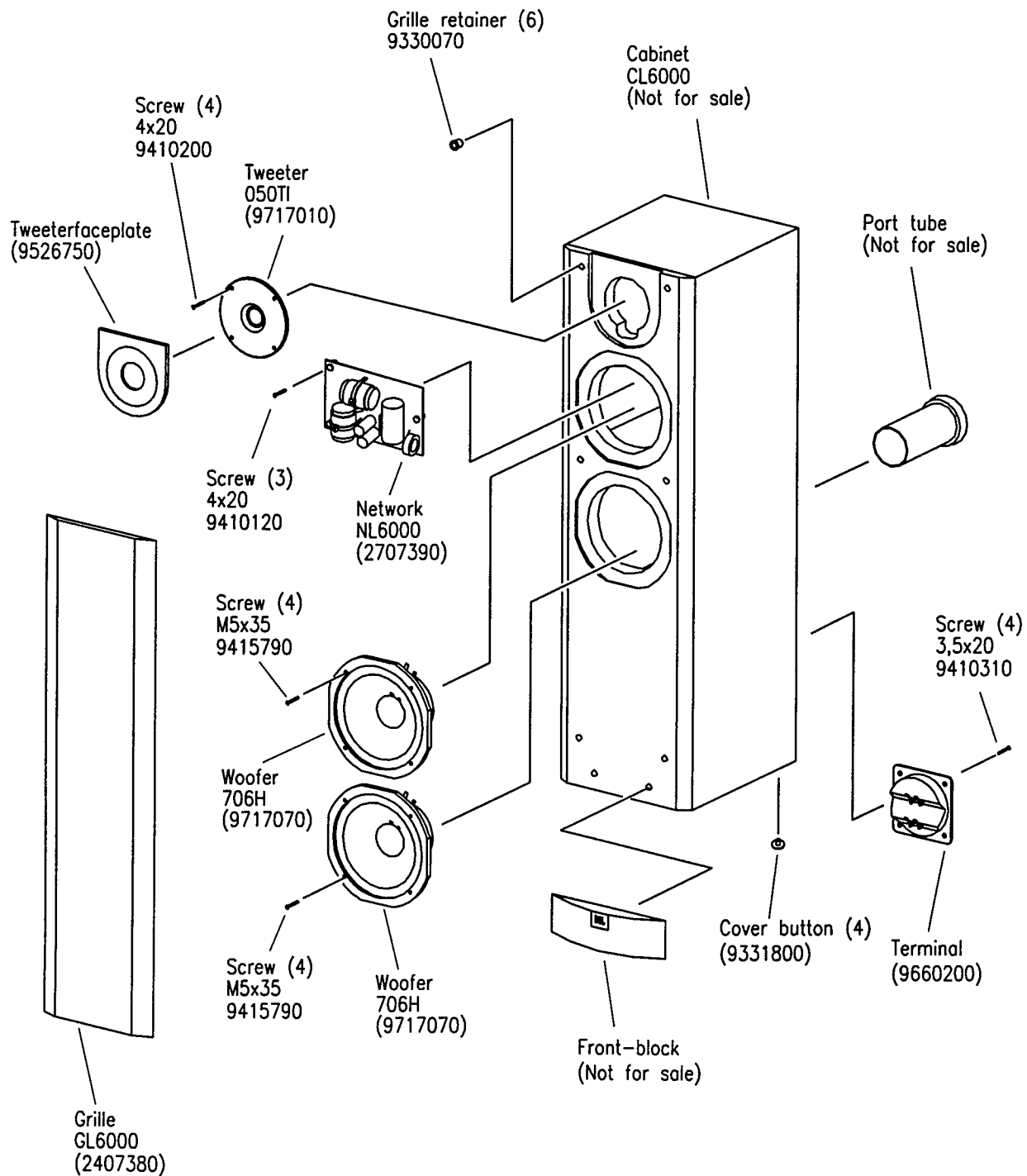
WIRING DIAGRAM



L6000

L6000

COMPONENT EXPLODED VIEW



L6000

Spikes (4) (9431350)