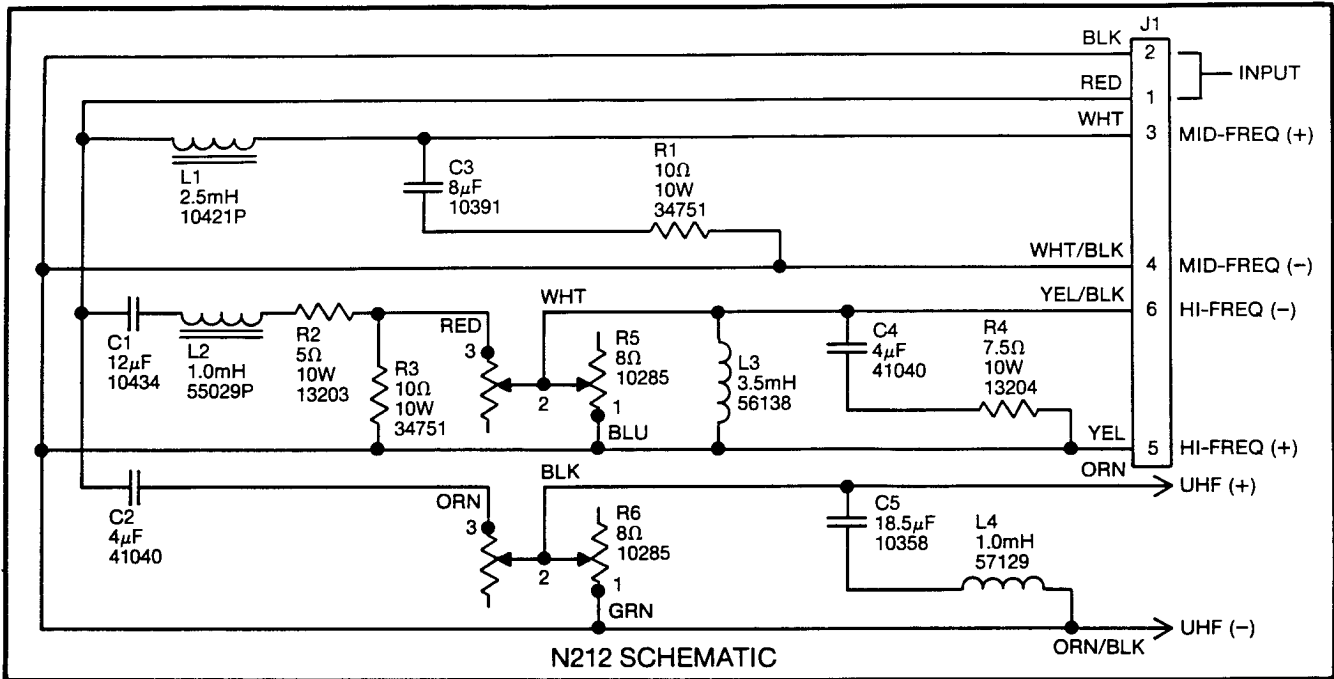


Technical Manual

L212/L212C



SYSTEM COMPONENTS:

LOW FREQUENCY DRIVER:

Cone Kit:
 Nom. Impedance:
 Dynamic Test Input V:
 Sweep Frequency Hz:
 D.C. Resistance Ohms:

Gap Gauge:
 Notes:
 If Not Serviceable, Replace With:
 Visual Change:
 Baffle Modification:
 Exact Acoustic Replacement:

Requires extensive network modification for L212 use.

112A (L212)
 112H (L212C)
 C8R112A
 8 Ohm
 6
 30-1200
 5.5 min/6.7 max (112A)
 5.2 min/6.4 max (112H)
 .053"

108H
 Yes
 No
 No. Use as last resort.

Additional Parts Currently Available*:

Dome: 31385
 Mounting Gasket: 21769
 Trim Gasket: 21812

MID RANGE DRIVER:

Cone Kit:
 Nom. Impedance:
 Dynamic Test Input V:
 Sweep Frequency Hz:
 D.C. Resistance Ohms:
 Gap Gauge:
 Notes:
 If Not Serviceable, Replace With:
 Visual Change:
 Baffle Modification:
 Exact Acoustic Replacement:

Replace both units in a stereo pair.

LE5-9
 C8RLE59
 8 Ohm
 4
 75-3000
 5.1 min/6.3 max
 .040"

LE5-10
 Yes
 No
 No. Slightly different.

Additional Parts Currently Available*:

Dome: 51868
 Mounting Gasket: 21771
 Trim Gasket: 29931

HIGH FREQUENCY DRIVER:

Diaphragm Kit:
 Nom. Impedance:
 Dynamic Test Input V:
 Sweep Frequency Hz:
 D.C. Resistance Ohms:
 Gap Gauge:

066
 D8R066
 8 Ohm
 5
 200-1200
 3.5 min/4.4 max
 .031"

HIGH FREQUENCY DRIVER (Cont'd)

Notes:
 If Not Serviceable, Replace With:
 Can also be replaced with 044.
 Visual Change:
 Baffle Modification:
 Exact Acoustic Replacement:
 Replace both units in a stereo pair.

Test With Network
 Currently Available.
 Yes
 Yes
 No. Slightly different.

SUBWOOFER LOW FREQUENCY DRIVER:

Cone Kit:
 Nom. Impedance:
 Dynamic Test Input V:
 Sweep Frequency Hz:
 D.C. Resistance Ohms:
 Gap Gauge:
 Notes:
 have Aquaplas on Cone instead of Mass Ring.
 If Not Serviceable, Replace With:
 Visual Change:
 Baffle Modification:
 Exact Acoustic Replacement:

Additional Parts Currently Available*:

Dome:
 Mounting Gasket:
 Trim Gasket:

121A (L212)
 121H (L212C)
 C8R121A
 8 Ohm
 10
 20-1200
 5.7 min/6.9 max
 .057"

Mass Ring. Cone Kit may
 No Replacement Available
 N/A
 N/A
 N/A

50201
 20253
 52806

SYSTEM SPECIFICATIONS:

Nom. Impedance: 8 Ohm
 Power Capacity: 75 Watts Continuous Program
 Crossover Frequencies: 70 Hz, 800 Hz, 3000 Hz
 Sensitivity: 91dB (1 Watt @ 1 Meter)
 Enclosure Dim: Ultrabass:

19-1/8" x 18-1/2" x 18-1/2" D
 486mm x 470mm x 470mm
 Satellites:
 38-5/8" x 17" x 13" D
 981mm x 432mm x 330mm

Shipping Weight: 225 lbs. - 102 kg.

Additional Parts Currently Available*:

Binding Posts: Red: 56131
 Black: 56130

SYSTEM NOTES:

Powered Subwoofer/Satellite System. Service Manual for 212E Bass Energizer available upon request. 212E parts no longer available from JBL.

*Other parts may also be available. Check with JBL for details.