

L100

SPECIFICATIONS

ACOUSTIC & ELECTRICAL SPECIFICATIONS:

- * Nominal Impedance: 4 ohm
- * Recommended Amp Power: 50-300W
- * Frequency Response: 50Hz - 20 kHz (± 2dB)
- * Sensitivity: 90 dB / 2,83V / 1 m
- * Crossover frequency: 400HZ / 2,5 kHz

SYSTEM COMPONENTS:

- * Cabinet: CL100 (Not for sale)
- * Grille: GL100 (240747)
- * Woofer: LE120H 300mm Woofer
75mm voice coil
- DC Resistance: 5,9 ohm
- * Midrange: 705G 130mm Midrange
30mm voice coil

SYSTEM COMPONENTS: (cont'd)

- DC Resistance: 4,4 ohm
- * Tweeter: 050TI 25mm
Titanium Dome Tweeter
- DC Resistance: 3,8 ohm
- * Crossover Network: NL100 (270746)

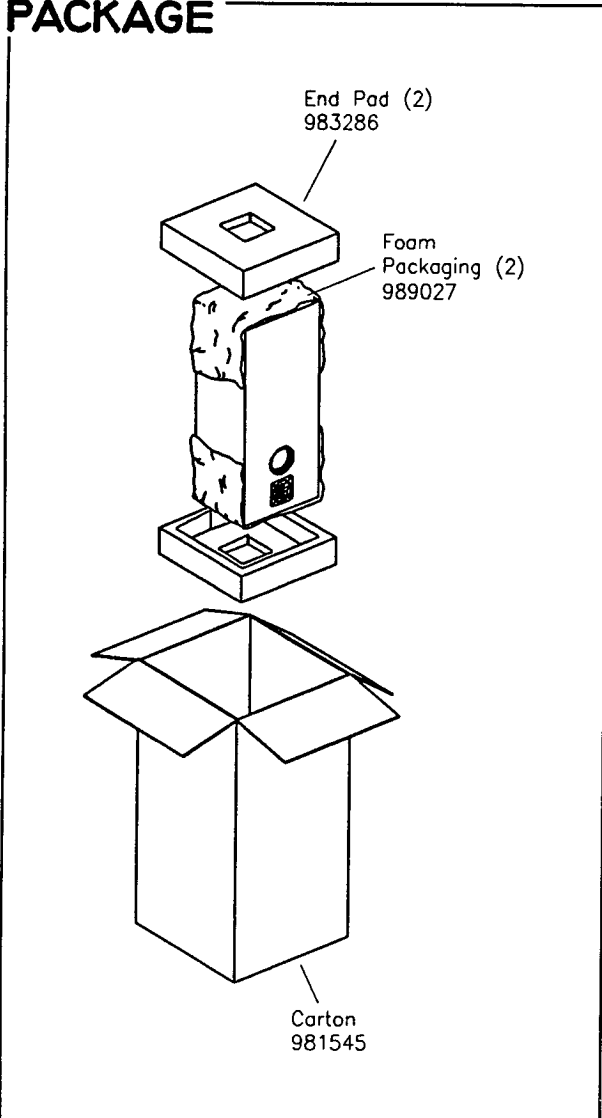
PHYSICAL SPECIFICATIONS:

- * Enclosure Dimensions (H.W.D): 37x15,8x14,5 in. D
(940x400x370mm D)
- * Shipping Weight: 77 lbs. (35 kg.)

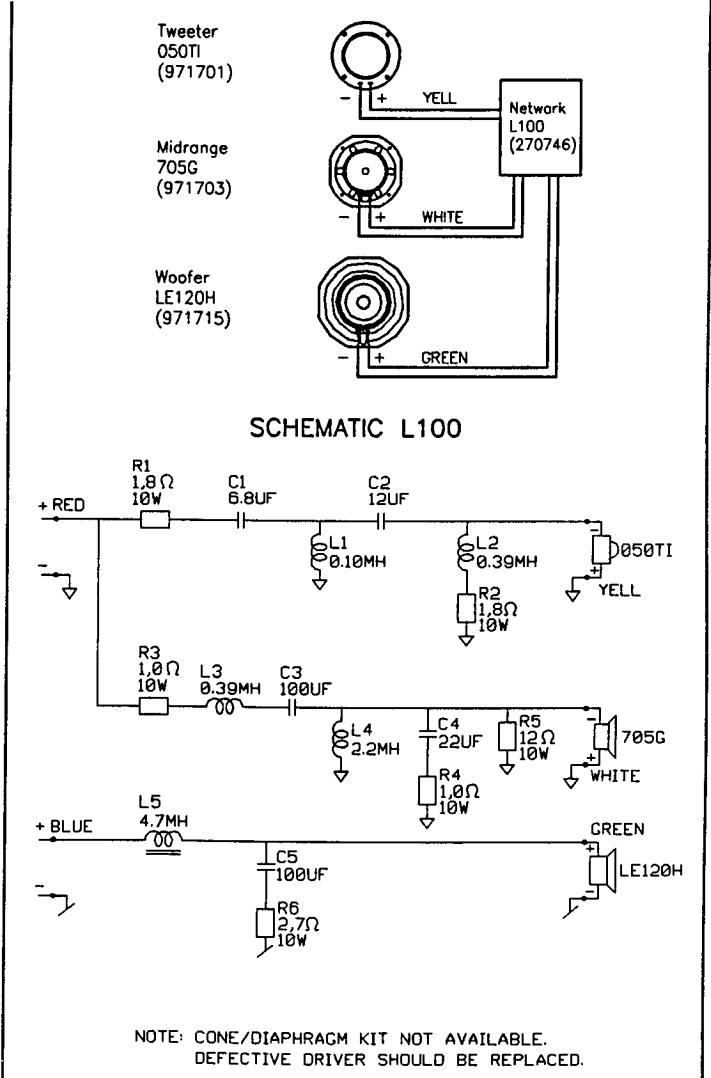
WARRANTY INFORMATION:

- * Refer to the Warranty Statement packed with each product

PACKAGE



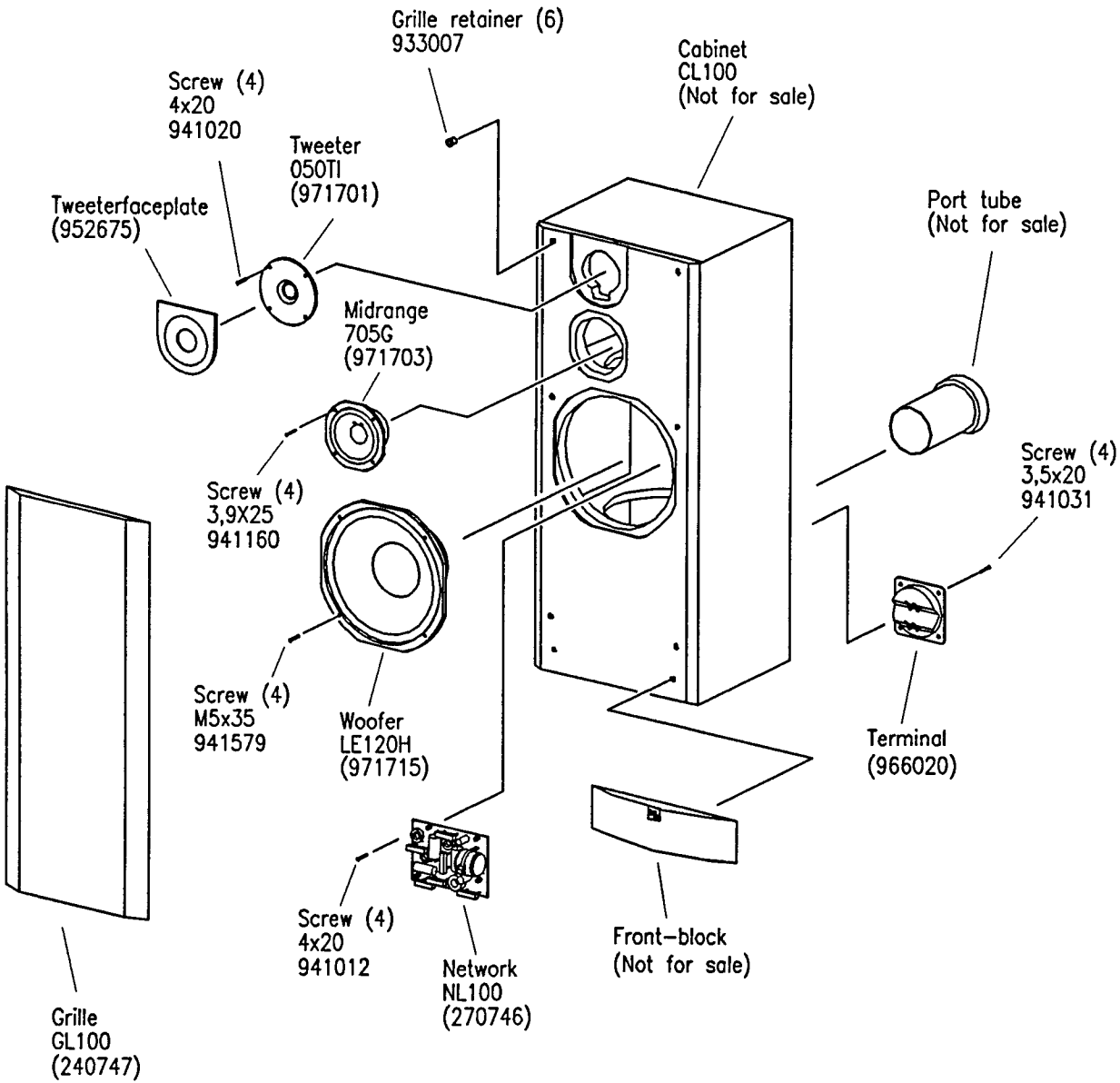
WIRING DIAGRAM



L100

L100

COMPONENT EXPLODED VIEW



L100