



# L1

## SPECIFICATIONS

### ACOUSTIC & ELECTRICAL SPECIFICATIONS:

- Nominal Impedance: 8 ohm
- Recommended Amplifier Power: 35W to 200W
- Frequency Response: 47 Hz to 27 kHz ( $\pm 6$  dB)
- Sensitivity: 87 dB SPL\*
- Crossover Frequency: 3 kHz

### SYSTEM COMPONENTS:

- Cabinet: CL1 (Not For Sale)
- Grille: GL1
- Low Frequency Transducer: 706G-1 6-1/2 in. (165mm) Cone Transducer

\*1 Watt @ 1 Meter

### SYSTEM COMPONENTS: (cont'd)

- High Frequency Transducer: 035TiA 1 in. (25mm) Pure Titanium Dome
- Crossover Network: NL1

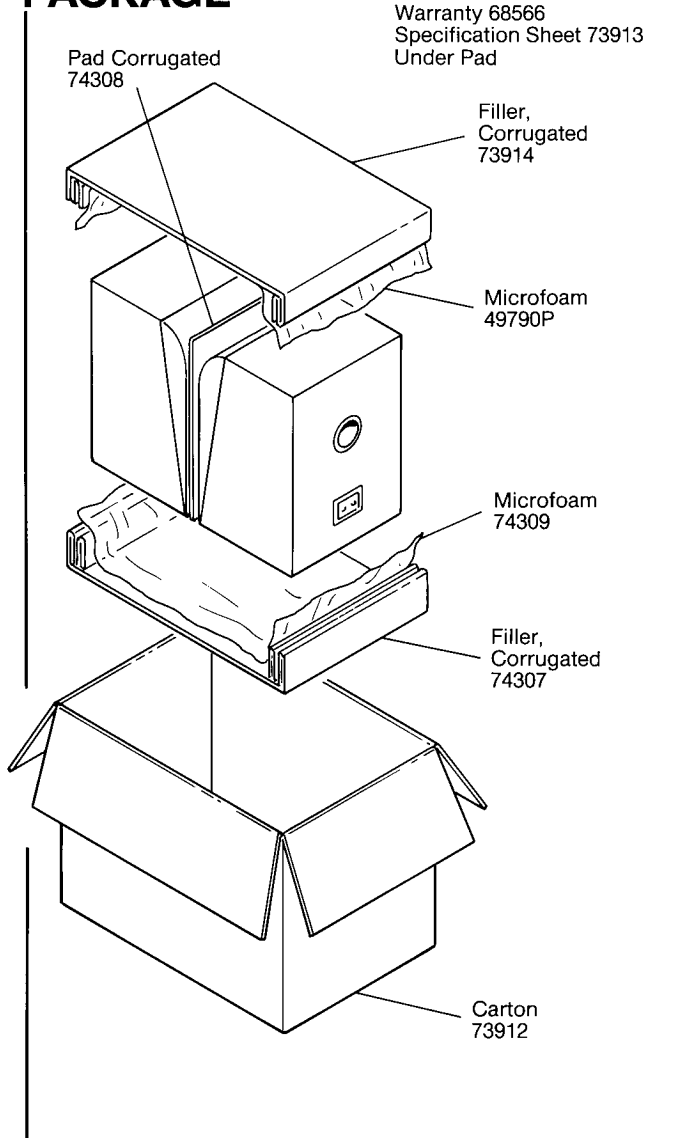
### PHYSICAL SPECIFICATIONS:

- Enclosure Dimensions: 15.87 x 8.25 x 10.0 in. D (401mm x 209mm x 254mm D)
- Shipping Weight: 20 lbs. (9.1 kg.)

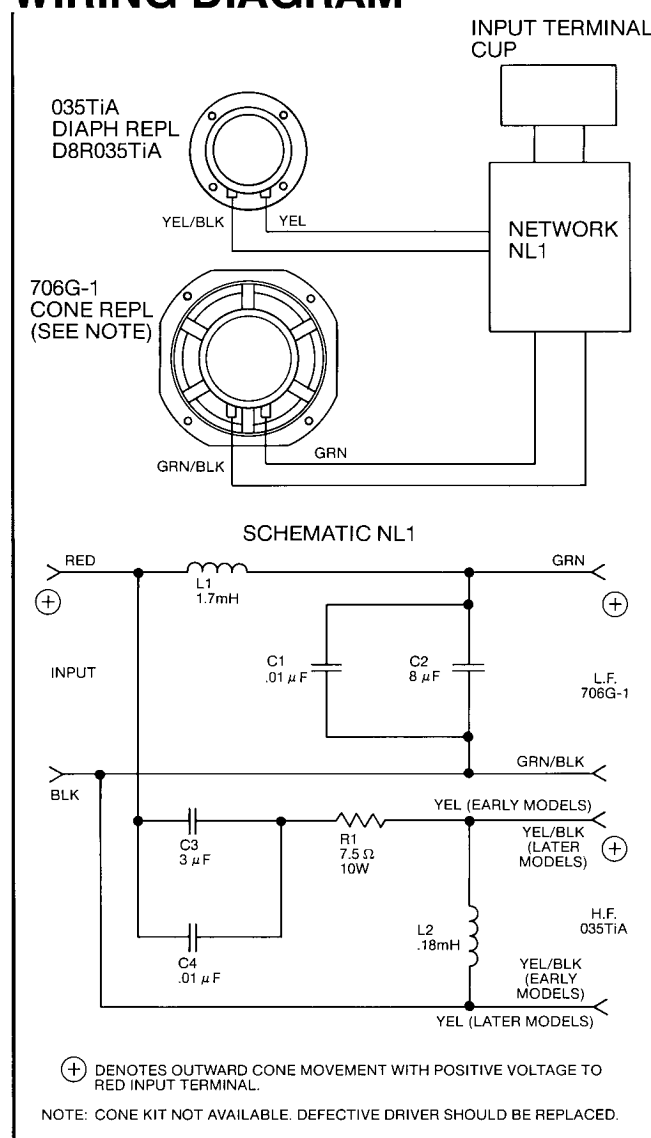
### WARRANTY INFORMATION:

- Refer to the Warranty Statement packed with each product.

## PACKAGE



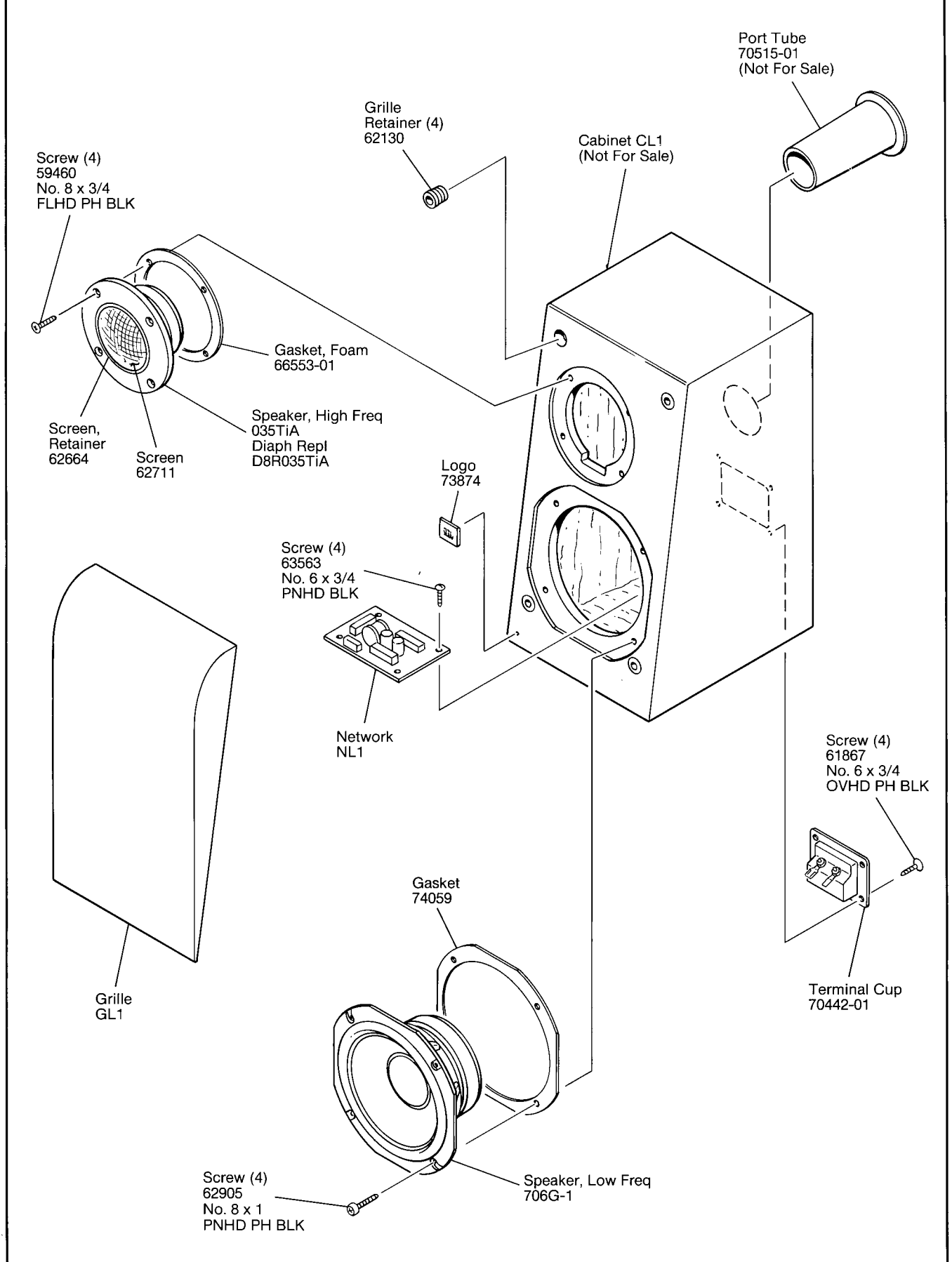
## WIRING DIAGRAM



| DRIVER | TEST VOLTAGE | SWEEP FREQUENCY | GAP GAUGE | DCR MIN-MAX. |
|--------|--------------|-----------------|-----------|--------------|
| 035TiA | 2.83         | 2KHZ-20KHZ      | .031"     | 3.5-4.2 OHMS |
| 706G-1 | 4            | 20HZ-1.2KHZ     | NA        | 3.8-4.6 OHMS |

# L1

## COMPONENT EXPLODED VIEW



# L1