



J820M

SPECIFICATIONS

ACOUSTIC & ELECTRICAL SPECIFICATIONS:

- Nominal Impedance: 8 ohm
- Recommended Amp Power: 10W to 125W
- Frequency Response: 50 Hz to 20 kHz (-6dB)
- Sensitivity: 90 dB SPL*
- Crossover Frequency: 3.5 kHz

SYSTEM COMPONENTS:

- Cabinet: CJ820M (Not For Sale)
- Grille: GJ820M (305269-001)
- Low Frequency Transducer: P208G 8.0 in. (200mm) Nitrite Polymer Fibre Cone (76478)
- DC Resistance: 4.6 ohm \pm 5%

SYSTEM COMPONENTS: (cont'd)

- High Frequency Transducer: (14mm) Composite Dome Transducer 306572-001
- DC Resistance: 6.0 ohm \pm 10%
- Crossover Network: 302101-001

AURAL SWEEP TEST SPECIFICATIONS:

- A. System Aural Sweep Test: 5.0V Input, 20 Hz to 20 kHz
- B. L.F. Aural Sweep Test: 4.0V Input, 50 Hz to 5000 Hz
- C. H.F. Aural Sweep Test: 2.0V Input, 1 kHz to 20 kHz

PHYSICAL SPECIFICATIONS:

- Enclosure Dimensions: 19.25 x 10.0 x 10.0 in. D (489mm x 254mm x 254mm D)
- Shipping Weight: 37 lbs. (16.8 kg.) Pair

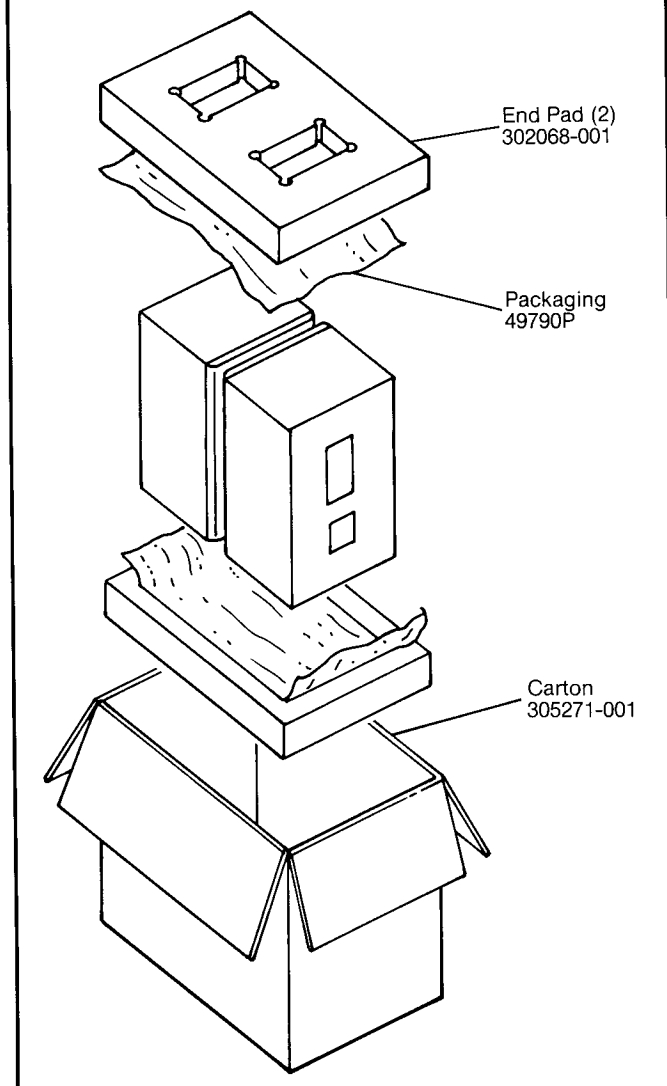
WARRANTY INFORMATION:

- Refer to the Warranty Statement packed with each product.

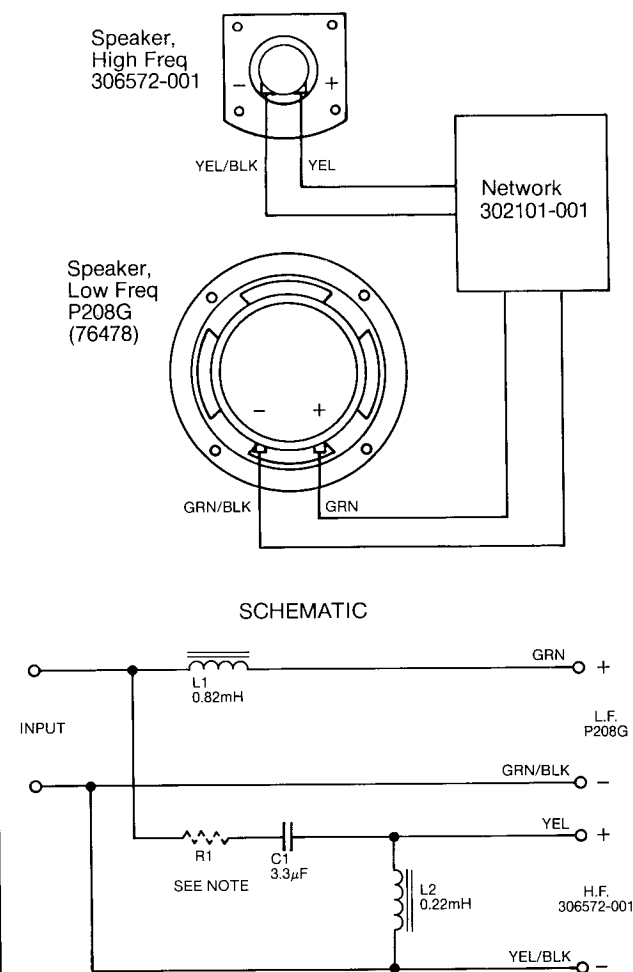
*1 Watt @ 1 Meter

PACKAGE

Warranty Card 73885
Owner's Manual 305115-001



WIRING DIAGRAM



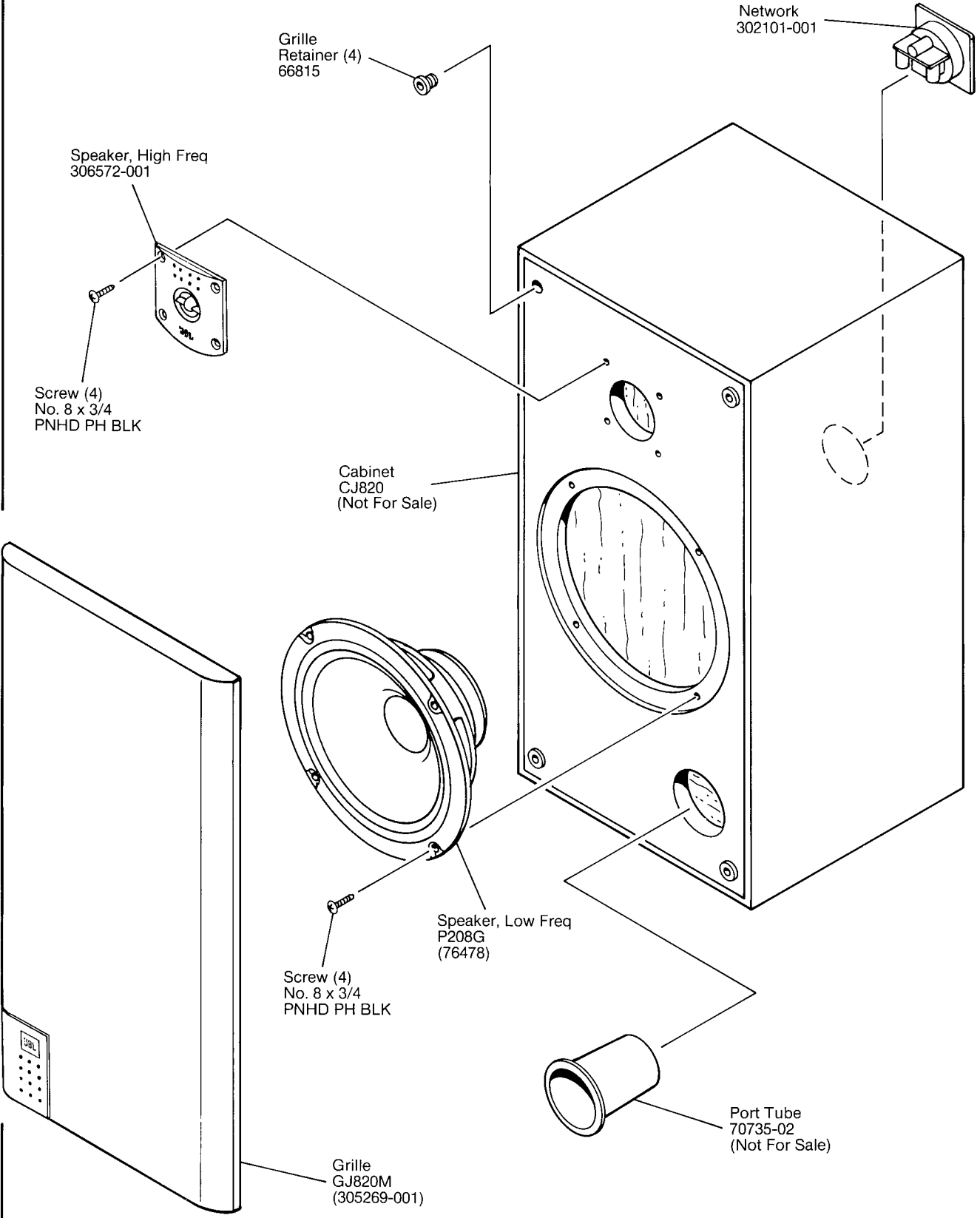
NOTE: 1ST PRODUCTION (302101-001) HAS NO RESISTOR. NEXT PRODUCTION (302101-002) HAS 10Ω RESISTOR. LATER PRODUCTION (302101-003) HAS 5Ω RESISTOR. WHEN REPLACING -001 VERSION, BOTH L+R CROSSOVERS SHOULD BE REPLACED W/ -003 VERSION. -002 AND -003 VERSIONS ARE INTERCHANGEABLE.

NOTE: CONE/DIAPHRAGM KIT NOT AVAILABLE. DEFECTIVE SPEAKER SHOULD BE REPLACED.

J820M

J820M

COMPONENT EXPLODED VIEW



J820M