



J2050

SPECIFICATIONS

ACOUSTIC & ELECTRICAL SPECIFICATIONS:

- Nominal Impedance: 8 ohm
- Recommended Amp Power: 10W to 80W
- Frequency Response: 70 Hz to 23 kHz
- Sensitivity: 88 dB SPL*
- Crossover Frequencies: 4 kHz

SYSTEM COMPONENTS:

- Cabinet: CJ2050
- Grille: GJ2050
- Low Frequency Transducer: 305G-3A-1 5-1/4 in. (130mm) High Polymer Laminate
- DC Resistance: 4.0 ohm \pm 10% Copper Wire

*1 Watt (2.83 V RMS) @ 1 Meter

SYSTEM COMPONENTS: (cont'd)

- High Frequency Transducer: 74447 (14mm) Pure Titanium Dome Transducer
- DC Resistance: 8.0 ohm \pm 10% Copper Wire
- Crossover Network: NJ2050

AURAL SWEEP TEST SPECIFICATIONS:

- A. System Aural Sweep Test: 6.0V Input, 20 Hz to 20 kHz
- B. L.F. Aural Sweep Test: 6.0V Input, 20 Hz to 4 kHz
- C. H.F. Aural Sweep Test: 2.83V Input, 2 kHz to 20 kHz

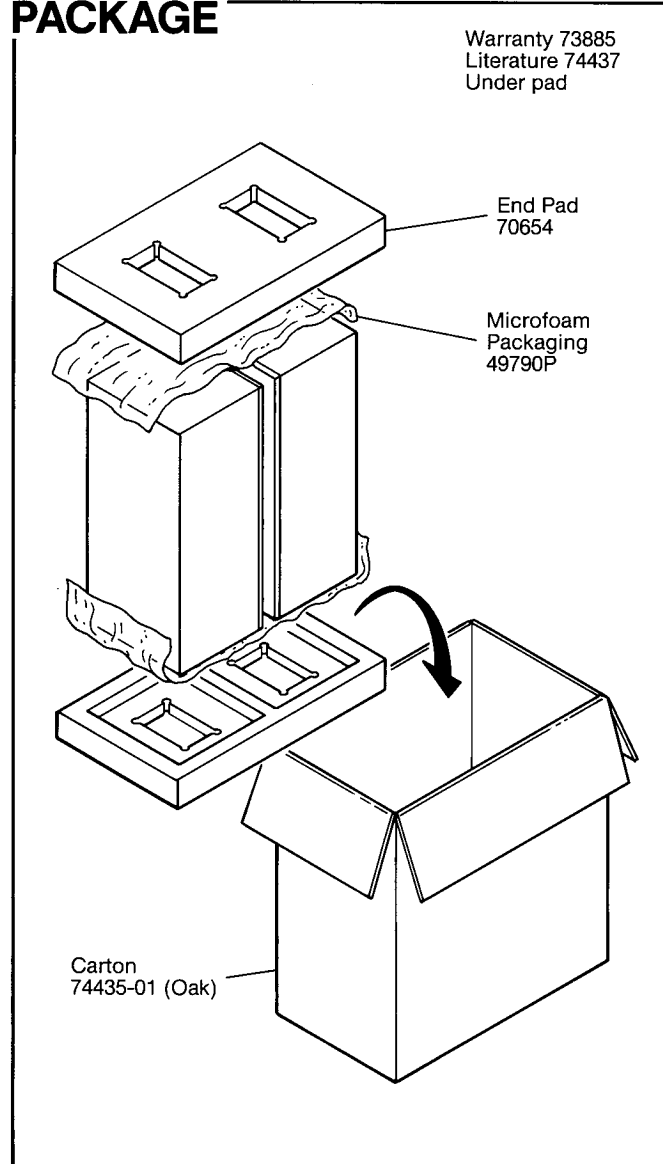
PHYSICAL SPECIFICATIONS:

- Enclosure Dimensions: 12.40 x 8.0 x 6.5 in. D (315mm x 203mm x 165mm D)
- Shipping Weight: 8 lbs. (3.6 kg.)

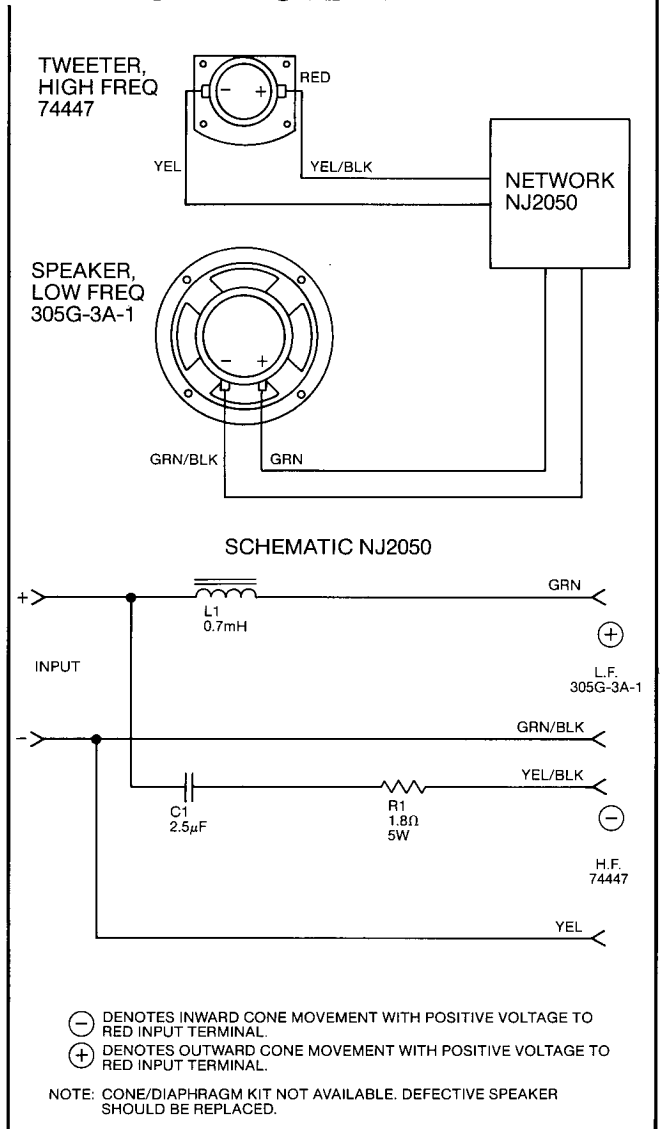
WARRANTY INFORMATION:

- Refer to the Warranty Statement packed with each product.

PACKAGE



WIRING DIAGRAM



J2050

J2050

COMPONENT EXPLODED VIEW

