

J1000MV

SPECIFICATIONS

ACOUSTIC & ELECTRICAL SPECIFICATIONS:

- Nominal Impedance: 8 ohm
- Recommended Amp Power: 10W to 175W
- Frequency Response: 40 Hz to 20 kHz (-6dB)
- Sensitivity: 92 dB SPL*
- Crossover Frequency: 400 Hz & 3.5 kHz

SYSTEM COMPONENTS:

- Cabinet: CJ1000MV (Not For Sale)
- Grille: GJ1000MV (305509-001)
- Low Frequency Transducer: P210HS 10 in. (254mm) Nitrile Polymer Fibre Cone (302748-001)
- DC Resistance: 9.2 ohm $\pm 5\%$
- Mid Range Transducer: P206HS 6-1/2 in. (165mm) Nitrile Polymer Fibre Cone (76474-02)
- DC Resistance: 9.2 ohm $\pm 5\%$

*1 Watt @ 1 Meter

SYSTEM COMPONENTS: (cont'd)

- High Frequency Transducer: (14mm) Composite Dome Transducer 306572-001
- DC Resistance: 6.0 ohm $\pm 10\%$
- Crossover Network: 302919-001

AURAL SWEEP TEST SPECIFICATIONS:

- A. System Aural Sweep Test: 5.0V Input, 20 Hz to 20 kHz
- B. L.F. Aural Sweep Test: 4.0V Input, 50 Hz to 5 kHz
- C. M.F. Aural Sweep Test: 4.0V Input, 50 Hz to 5 kHz
- D. H.F. Aural Sweep Test: 2.0V Input, 1 kHz to 20 kHz

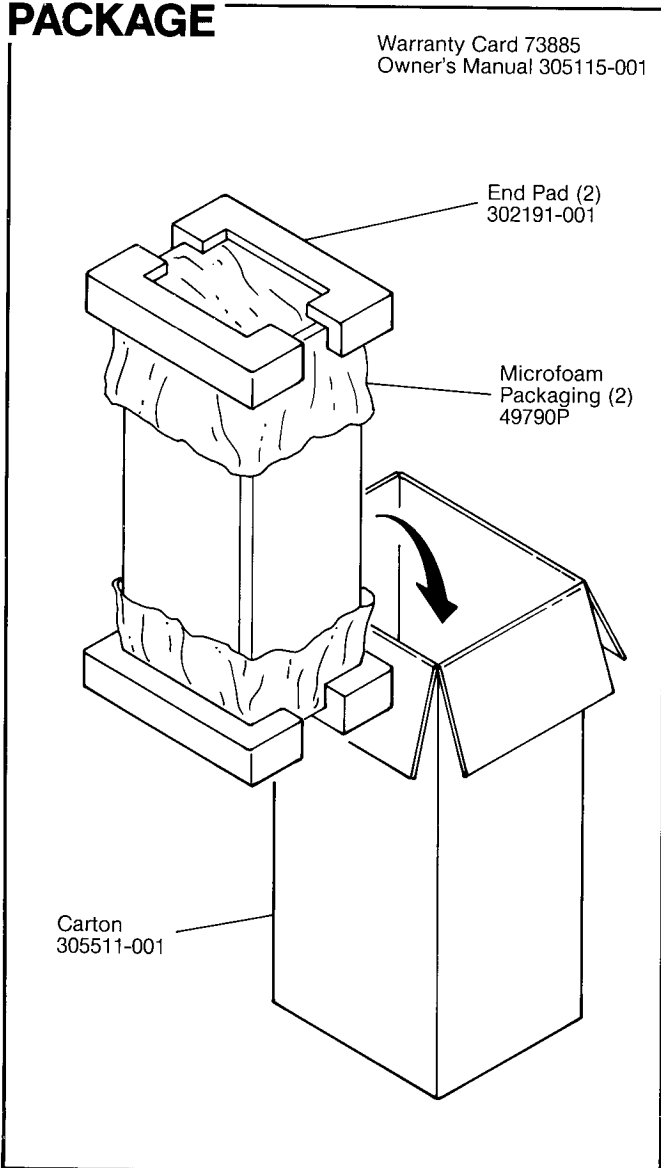
PHYSICAL SPECIFICATIONS:

- Enclosure Dimensions: 36.0 x 11.75 x 12.0 in. D (915mm x 298mm x 305mm D)
- Shipping Weight: 44 lbs. (19.9 kg.)

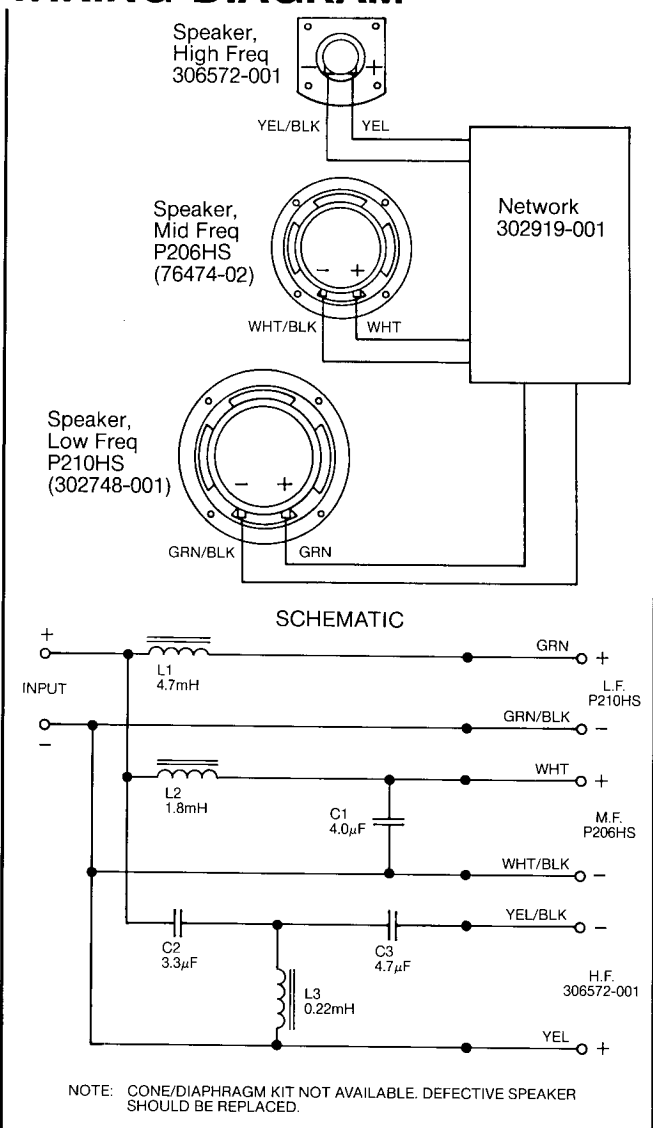
WARRANTY INFORMATION:

- Refer to the Warranty Statement packed with each product.

PACKAGE



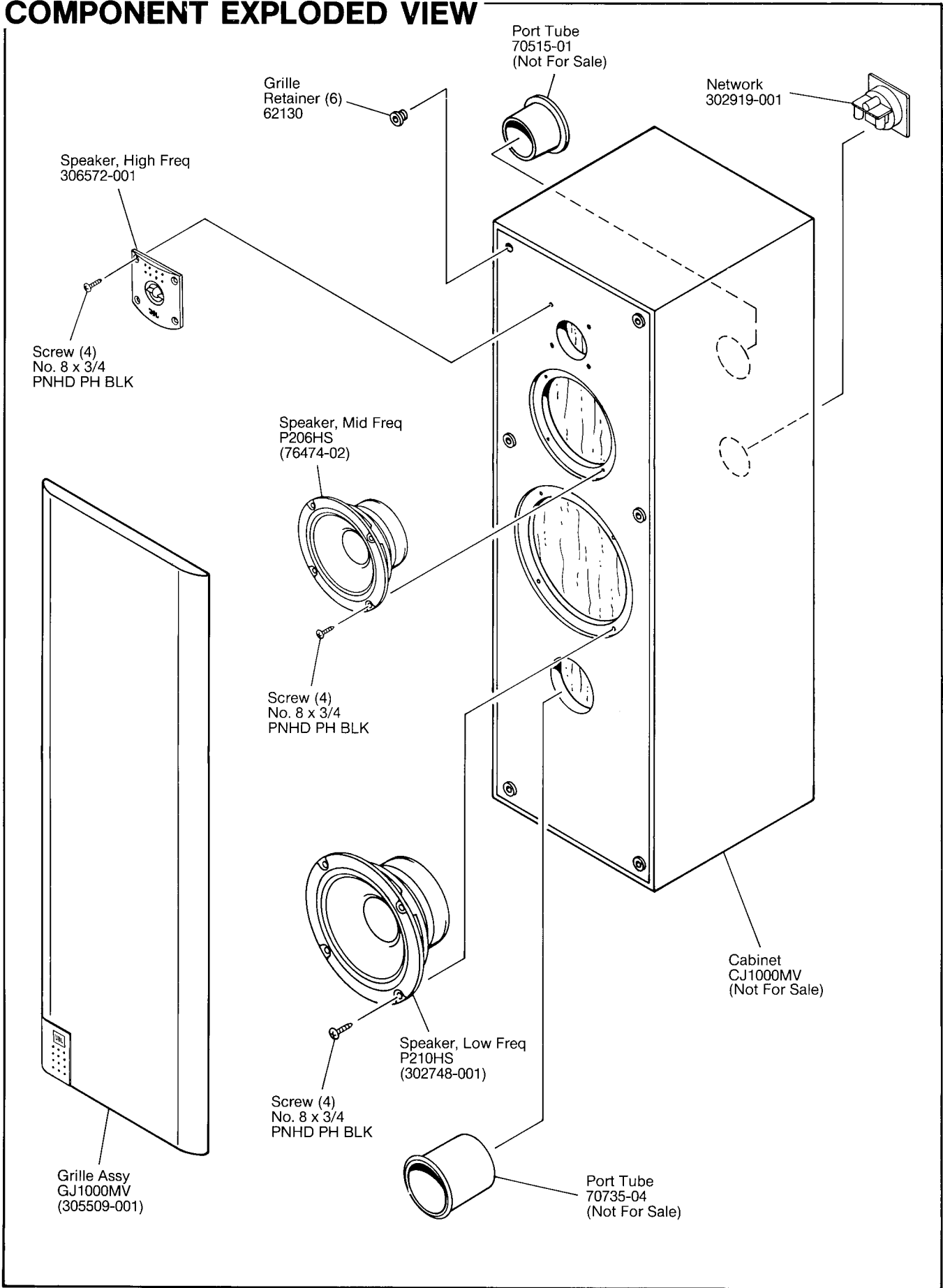
WIRING DIAGRAM



J1000MV

J1000MV

COMPONENT EXPLODED VIEW



J1000MV