

HT1S

SPECIFICATIONS

ACOUSTIC & ELECTRICAL SPECIFICATIONS:

- Nominal Impedance: 6 ohm
- Recommended Amp Power: 10W to 100W
- Frequency Response: 35 Hz to 80 Hz (-6dB)
- Sensitivity: 91 dB SPL*
- Crossover Frequency: N/A

SYSTEM COMPONENTS:

- Cabinet: CHT1S (Not For Sale)
- Grille: GHT1S (75746)
- Low Frequency Transducer: 512GS 12 in. (300mm) High Polymer Laminate (75744)
- DC Resistance: 4.3 ohm \pm 10% Copper Wire
- Crossover Network: Terminal Cup 75806

AURAL SWEEP TEST SPECIFICATIONS:

- A. System Aural Sweep Test: 6.0V Input, 20 Hz to 20 kHz
- B. L.F. Aural Sweep Test: 6.0V Input, 20 Hz to 2 kHz

PHYSICAL SPECIFICATIONS:

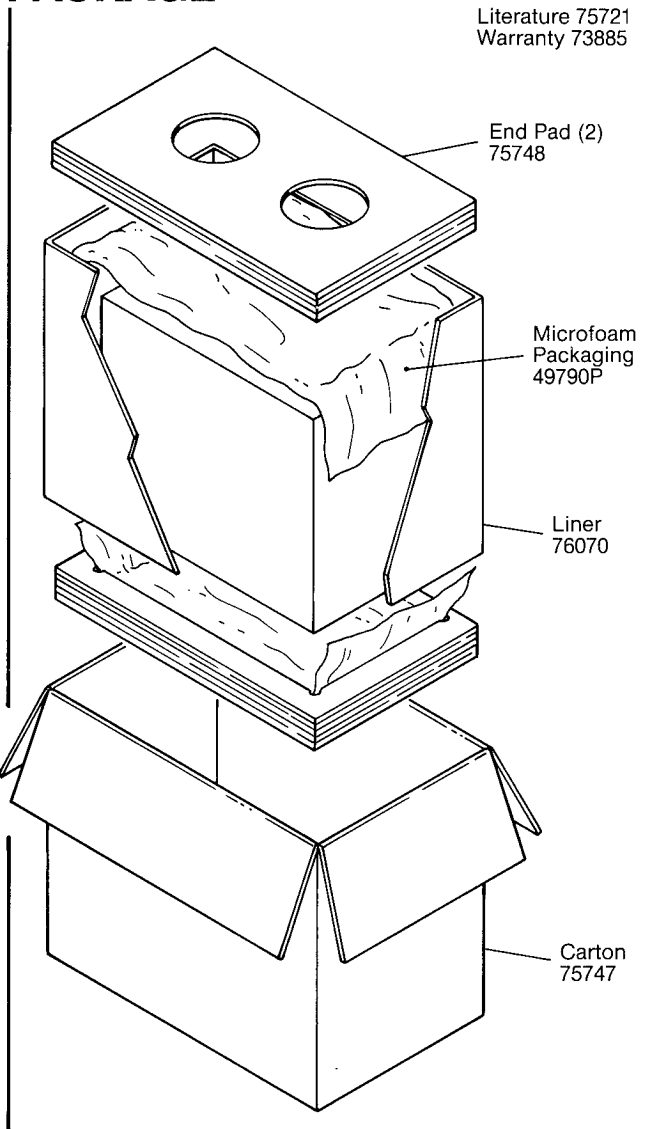
- Enclosure Dimensions: 21.5 x 25.25 x 17.62 in. D (546mm x 641mm x 448mm D)
- Shipping Weight: 76 lbs. (34.5 kg.)

WARRANTY INFORMATION:

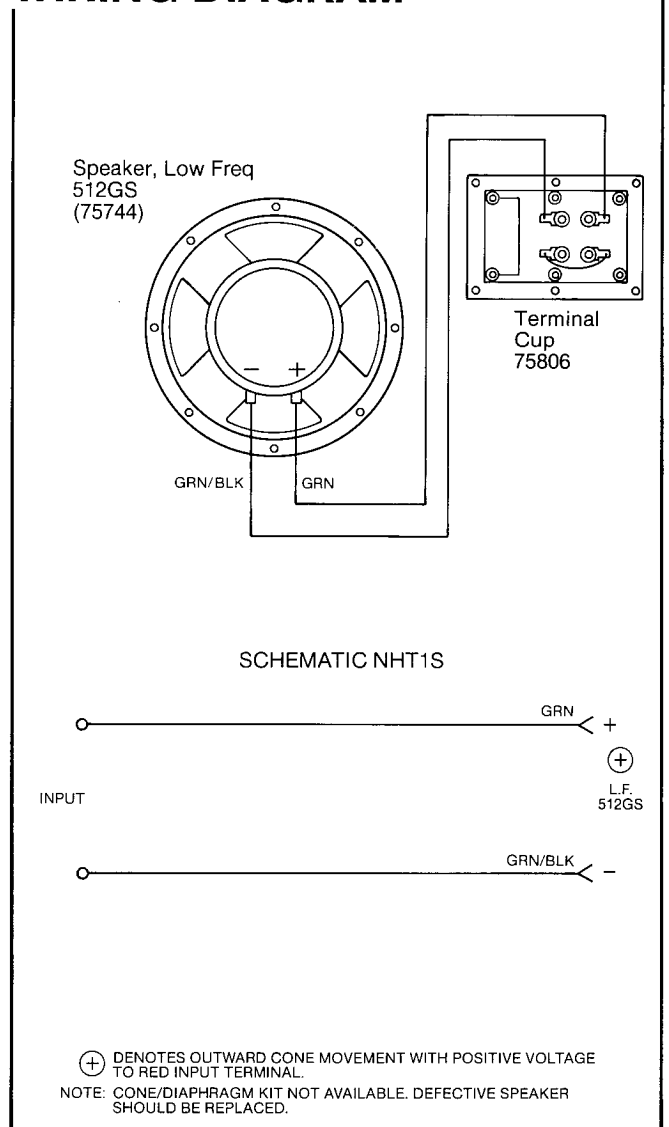
- Refer to the Warranty Statement packed with each product.

*1 Watt @ 1 Meter

PACKAGE



WIRING DIAGRAM



HT1S

HT1S

COMPONENT EXPLODED VIEW

