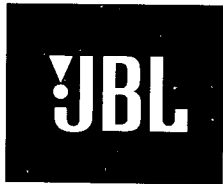


HT1D

SPECIFICATIONS



ACOUSTIC & ELECTRICAL SPECIFICATIONS:

- Nominal Impedance: 6 ohm
- Recommended Amp Power: 10W to 100W
- Frequency Response: 110 Hz to 20 kHz (-6dB)
- Sensitivity: 87 dB SPL*
- Crossover Frequency: 2.8 kHz

SYSTEM COMPONENTS:

- Cabinet: CHT1D (Not For Sale)
- Grille: GHT1DL (75734-01), GHT1DR (75734-02)
- Low Frequency Transducer: 305G-3A-1 5-1/4 in. (130mm) High Polymer Laminate (70012-01)(2)
- DC Resistance: 4.0 ohm \pm 10% Copper Wire
- High Frequency Transducer: 020Nd 1 in. (25mm) Pure Titanium Dome (73687)
- DC Resistance: 3.6 ohm \pm 10% Copper Wire

SYSTEM COMPONENTS: (cont'd)

- Crossover Network: NHT1D (75740)

AURAL SWEEP TEST SPECIFICATIONS:

- A. System Aural Sweep Test: 6.0V Input, 20 Hz to 20 kHz
- B. L.F. Aural Sweep Test: 6.0V Input, 20 Hz to 4 kHz
- C. H.F. Aural Sweep Test: 3.0V Input, 2 kHz to 20 kHz

PHYSICAL SPECIFICATIONS:

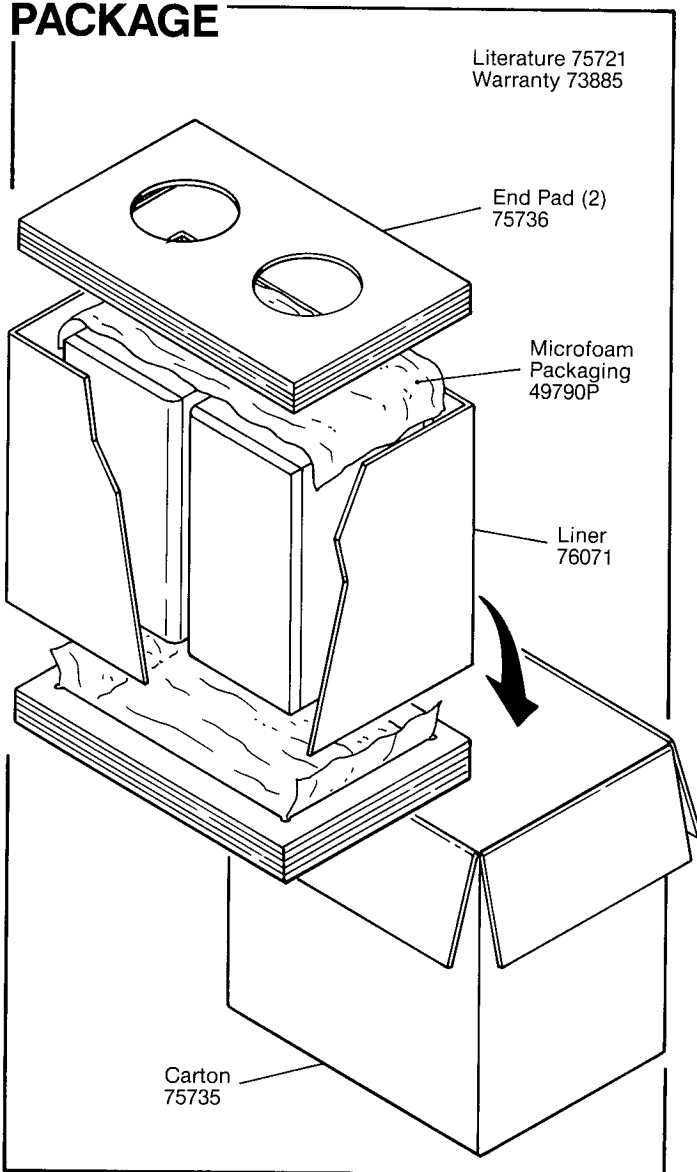
- Enclosure Dimensions: 13.87 x 9.25 x 7.75 in. D (352mm x 235mm x 197mm D)
- Shipping Weight: 38 lbs. (17.3 kg.) Pair

WARRANTY INFORMATION:

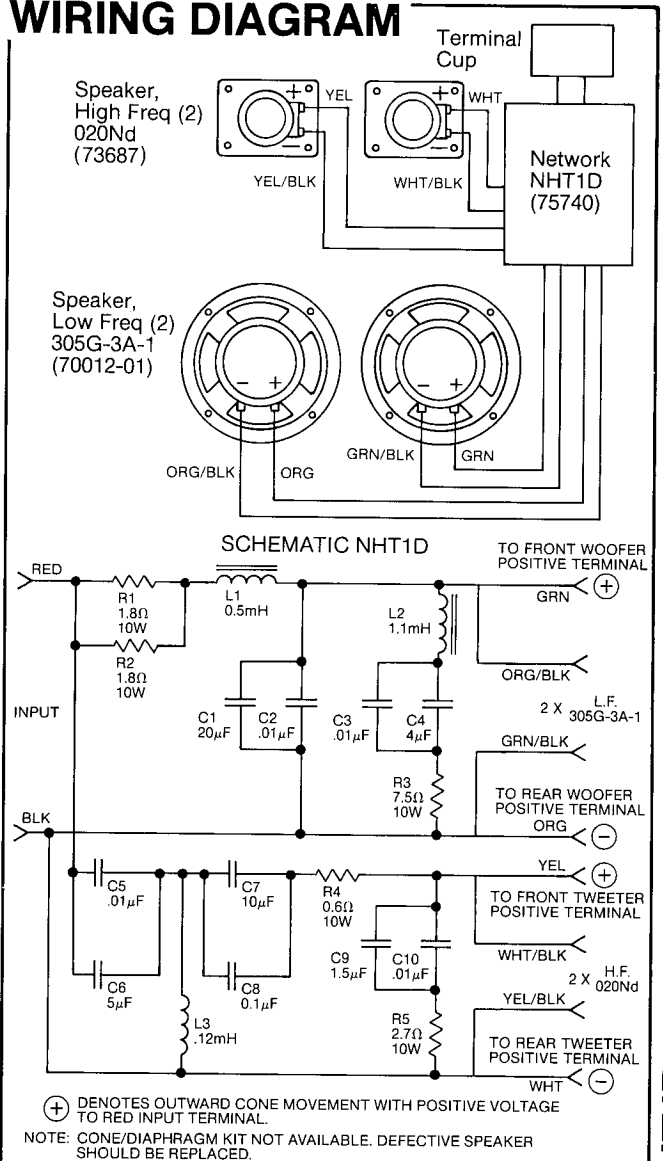
- Refer to the Warranty Statement packed with each product.

*1 Watt @ 1 Meter

PACKAGE



WIRING DIAGRAM



HT1D

HT1D

COMPONENT EXPLODED VIEW

