

JBL HP420



SPECIFICATIONS

ACOUSTIC & ELECTRICAL SPECIFICATIONS:

- Nominal Impedance: 4 ohms
- Recommended Amplifier Power: 10 - 150 Watts
- Frequency Response: 40 Hz - 27 KHz
- Sensitivity: 89 dB*
- Crossover Frequencies: 140 Hz / 3500 Hz

SYSTEM COMPONENTS:

- Cabinet: 210291 Black Ash
- Grille: GHP420
- Low Frequency Transducer: 152 mm (6 Inch) 506G High Polymer Laminate

*1 Watt (2,83 V RMS) @ 1 Meter

SYSTEM COMPONENTS: (cont'd)

- Midrange Frequency Transducer: 130 mm (5 Inch) 405G High Polymer Laminate
- High Frequency Transducer: 26 mm (1 Inch) 026TI Pure Titanium
- Crossover Network: NHP420

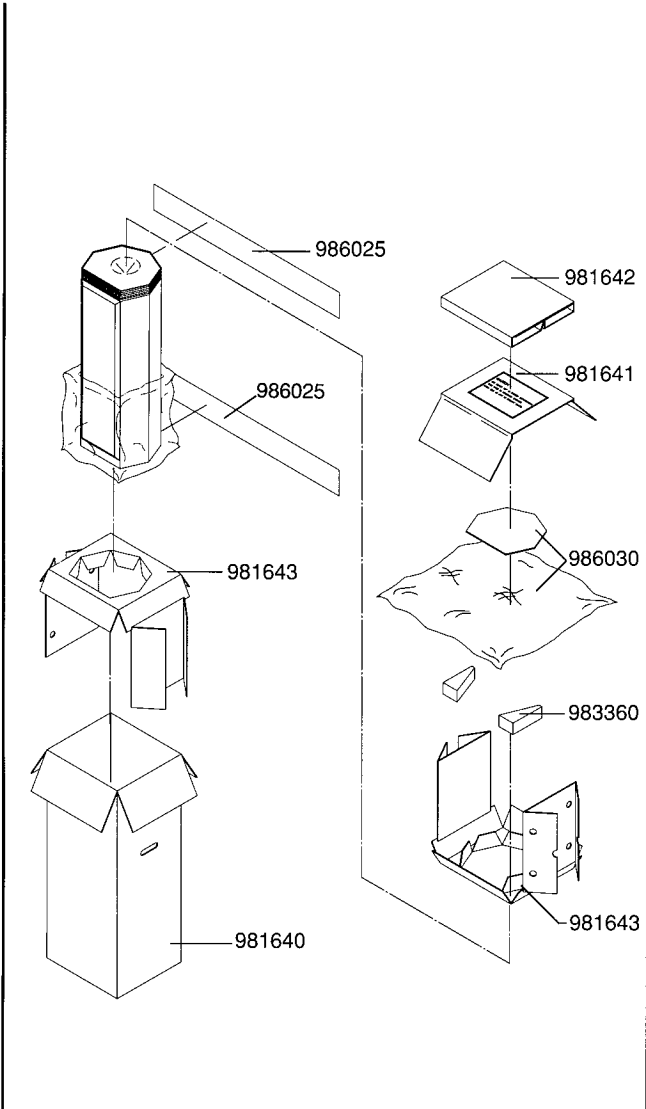
PHYSICAL SPECIFICATIONS:

- Enclosure Dimensions: 34 5/16 x 11 13/16 x 10 1/2 (D) Inch
872 x 300 x 267 (D) mm
- Weight: 38 lbs
17.3 Kg

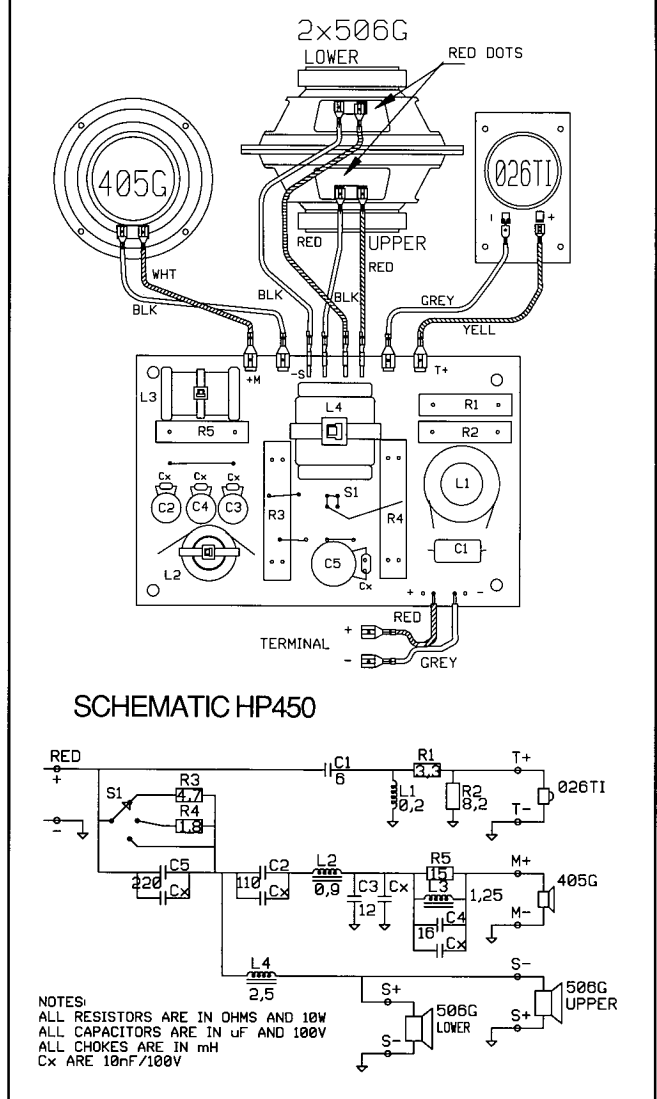
WARRANTY INFORMATION:

- Refer to the Warranty Statement packed with each product.

PACKAGE



WIRING DIAGRAM

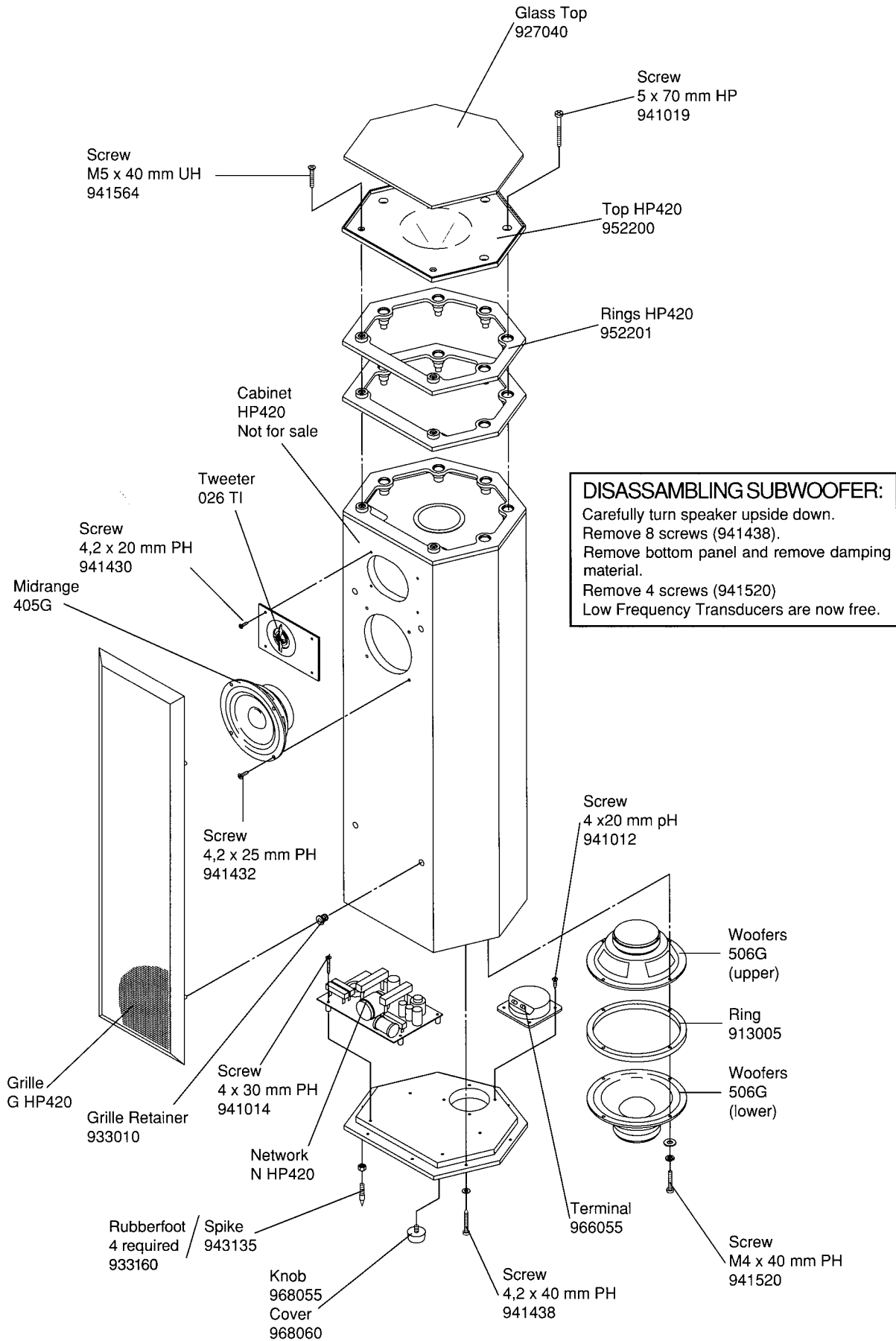


JBL HP420

DRIVER	TEST VOLTAGE	SWEEP FREQUENCY	DCR MIN-MAX.
026Ti	2	2KHZ-20KHZ	3.5-4.2 OHMS
405G	4	20HZ-5KHZ	4.1-4.5 OHMS
506G	4	20HZ-1KHZ	4.2-4.7 OHMS

JBL HP420

COMPONENT EXPLODED VIEW



DISASSEMBLING SUBWOOFER:
 Carefully turn speaker upside down.
 Remove 8 screws (941438).
 Remove bottom panel and remove damping material.
 Remove 4 screws (941520)
 Low Frequency Transducers are now free.