

GHE1000

SPECIFICATIONS

ACOUSTIC & ELECTRICAL SPECIFICATIONS:

- Nominal Impedance: 8 ohm
- Power Capacity: 10W to 175W
- Frequency Range: 36 Hz to 23 kHz (-6 dB)
- Sensitivity: 90 dB SPL*
- Crossover Frequencies: 930 Hz - 5.6 kHz

SYSTEM COMPONENTS:

- Cabinet: CGHE1000 (B6140697)
- Grille: CGHE1000 (B6940138)
- Low Frequency Transducer: 10 in. (250mm) Polymer Laminate (C250R01J1970)
- DC Resistance: 5.3 ohm ±10% Copper Wire
- Mid Range Transducer: 5 in. (125mm) Polymer Laminate (C130R07J1970)
- DC Resistance: 7.4 ohm ±10% Copper Wire
- High Frequency Transducer: 1 in. (25mm) Ti Laminate Dome Transducer (AW025XED08TTP0010)
- DC Resistance: 5.8 ohm ±10% Copper Wire

SYSTEM COMPONENTS: (cont'd)

- Crossover Network/
Terminal Cup: B6034164

AURAL SWEEP TEST SPECIFICATIONS:

- A. System Aural Sweep Test: 5.0V Input, 20 Hz to 20 kHz
- B. L.F. Aural Sweep Test: 5.0V Input, 50 Hz to 5 kHz
- C. M.F. Aural Sweep Test: 4.0V Input, 700 Hz to 5 kHz
- D. H.F. Aural Sweep Test: 2.0V Input, 1 kHz to 20 kHz

PHYSICAL SPECIFICATIONS:

- Enclosure Dimensions: 39.0 x 12.0 x 11.0 in. D (991mm x 305mm x 279mm D)

SHIPPING WEIGHT:

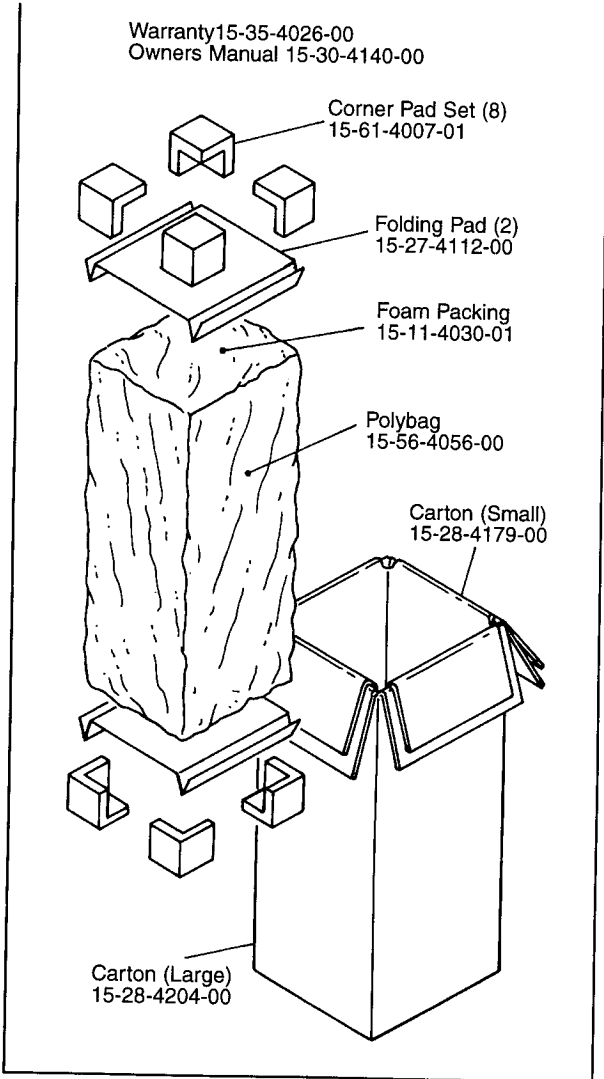
49 lbs. (22.2 kg.)

WARRANTY INFORMATION:

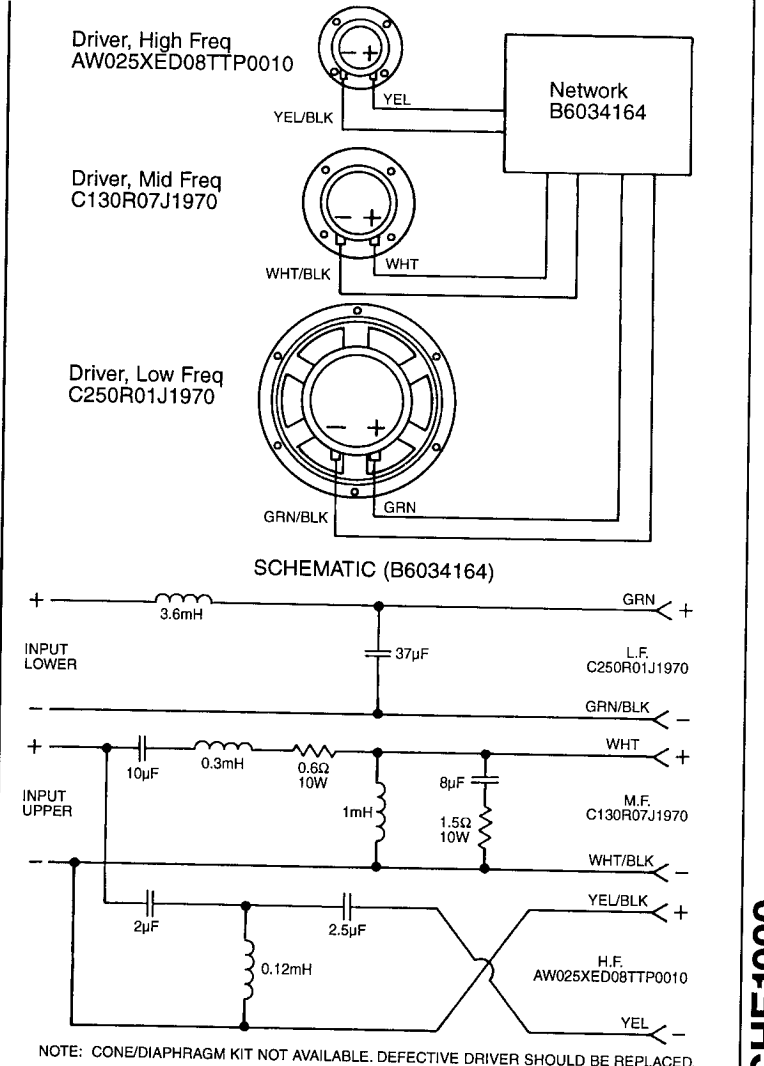
- Refer to the Warranty Statement packed with each product.

*1 Watt @ 1 Meter

PACKAGE



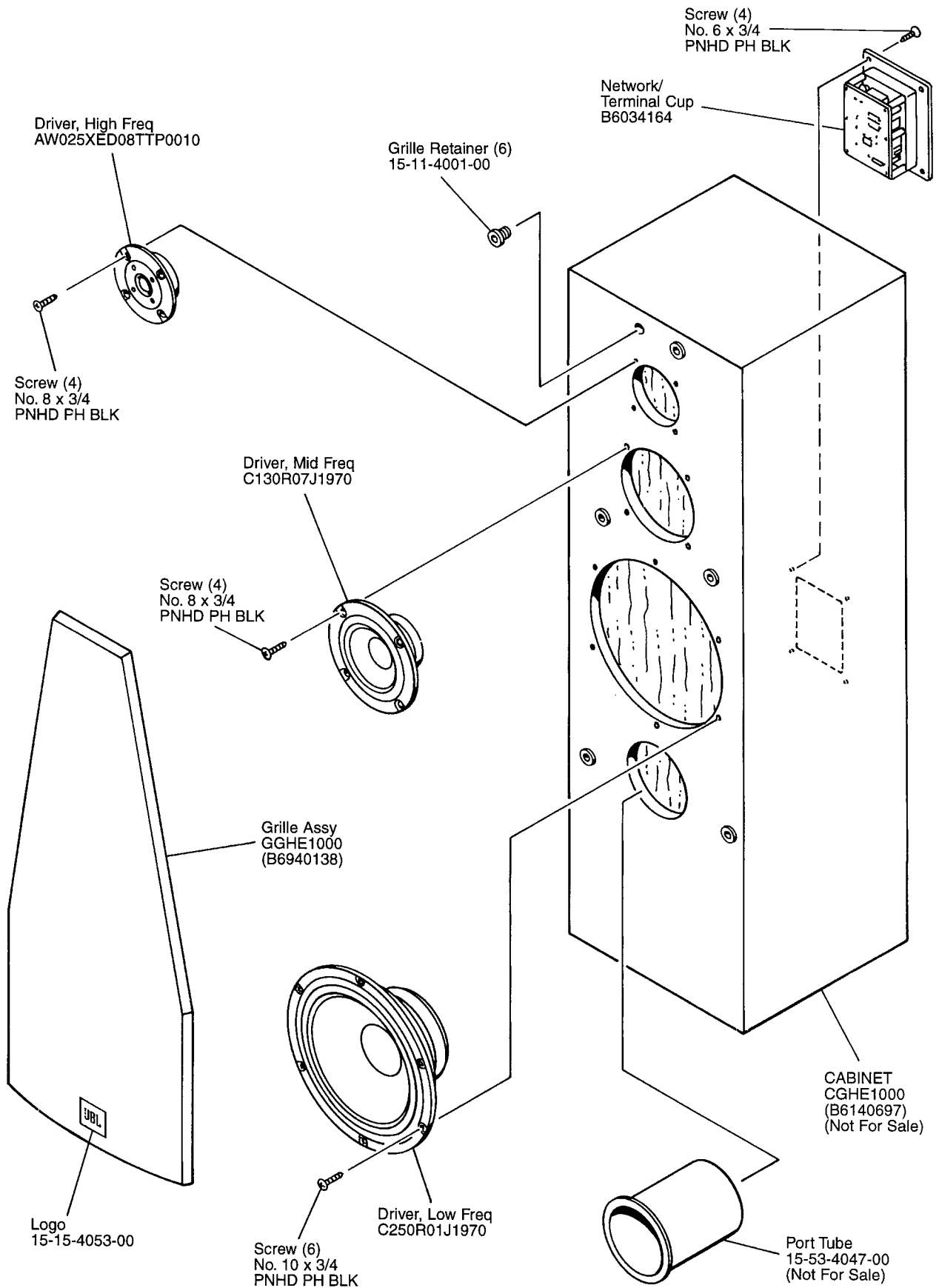
WIRING DIAGRAM



GHE1000

GHE1000

COMPONENT EXPLODED VIEW



GHE1000