

Technical Manual



JBL G-718

SPECIFICATIONS

ACOUSTIC & ELECTRICAL SPECIFICATIONS:

- Nominal Impedance: 4 ohm
- Power Capacity: Continuous Sine Wave: 300W
Continuous Program: 600W
- Frequency Range: 35 Hz to 2.5 kHz
- Sensitivity: 100 dB SPL*
- Crossover Frequencies: Recommended Crossover Frequency - 80 Hz to 250 Hz (when used as subwoofer)

SYSTEM COMPONENTS:

- Cabinet: GG-718
- Grille: GG-718 (70398)
- Low Frequency Transducer: 460mm (18 in.) Cone Transducer (E155-4)

*1 Watt (2.0 V RMS) @ 1 Meter

SYSTEM COMPONENTS: (cont'd)

- DC Resistance: 2.5 ohm ± 10% Copper Wire
- Crossover Network: NG-718 (70318)

AURAL SWEEP TEST SPECIFICATIONS:

- A. System Aural Sweep Test: 7.0V Input, 20 Hz to 20 kHz
- B. L.F. Aural Sweep Test: 8.0V Input, 20 Hz to 1.2 kHz

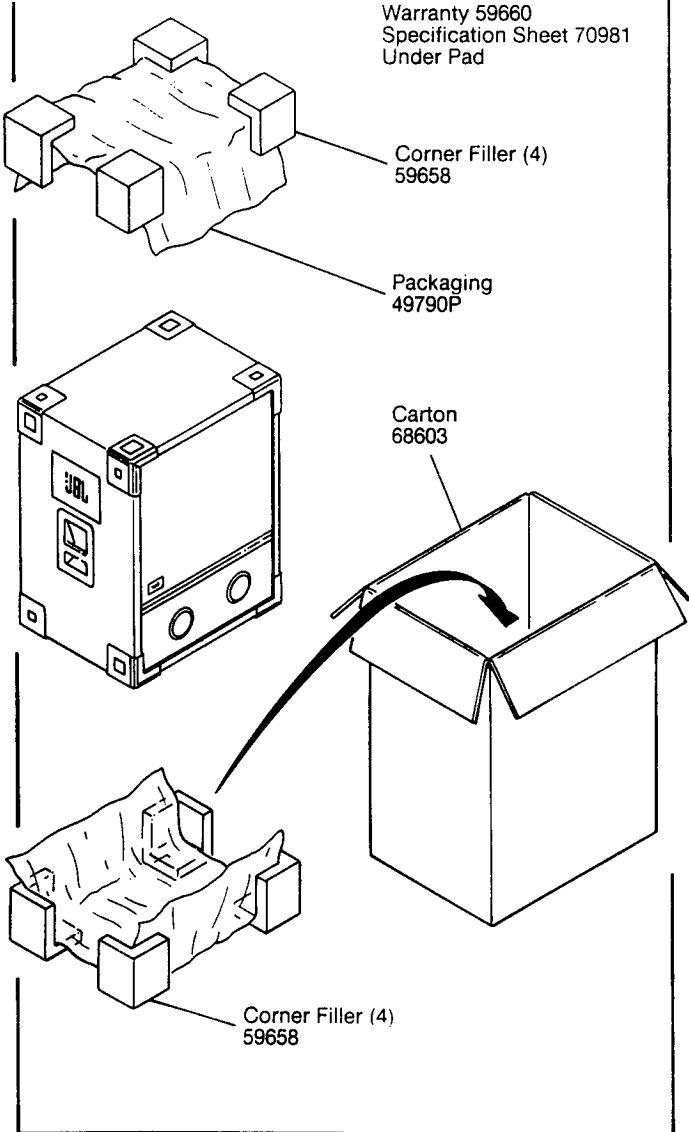
PHYSICAL SPECIFICATIONS:

- Enclosure Dimensions: 845mm x 629mm x 450mm D (34.25 x 23.75 x 17.75 in. D)
- Shipping Weight: 93 lbs. (42 kg)

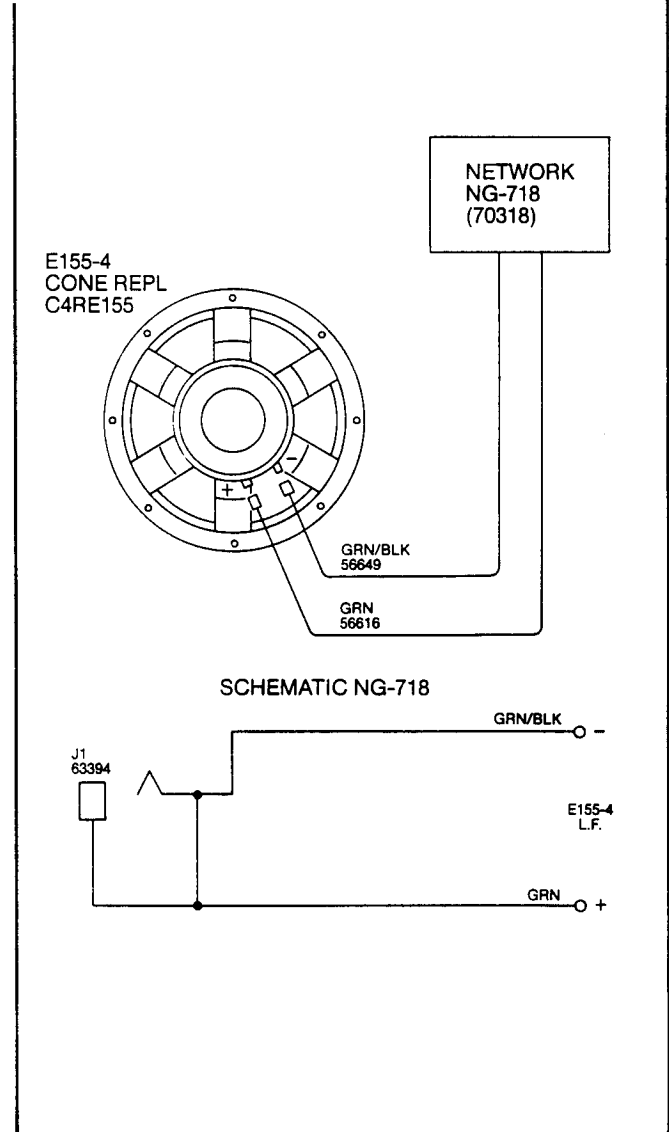
WARRANTY INFORMATION:

- Refer to the Warranty Statement packed with each product.

PACKAGE



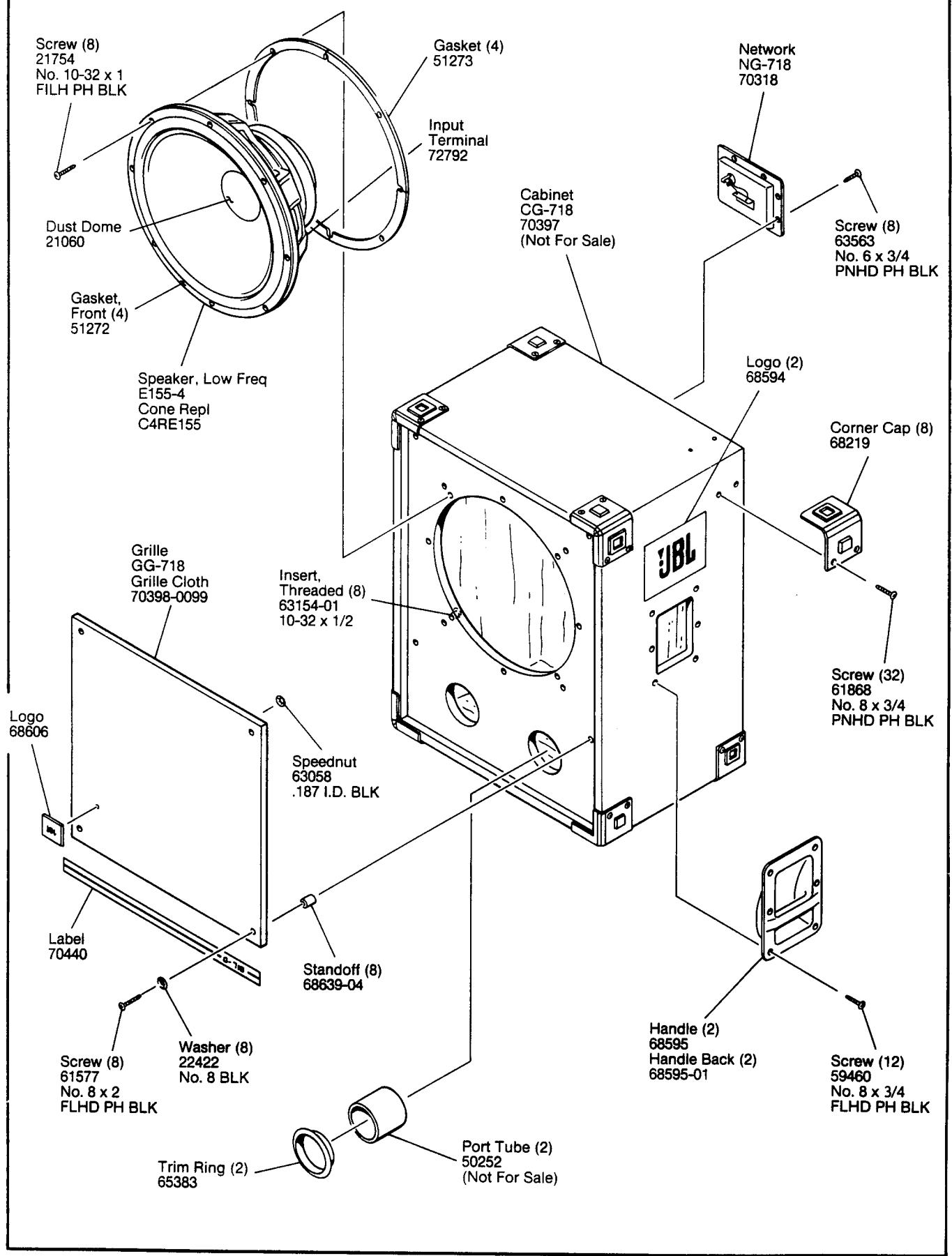
WIRING DIAGRAM



JBL G-718 REV B

JBL G-718

COMPONENT EXPLODED VIEW



JBL G-718