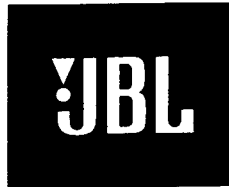


Technical Manual



JBL G-733 PERFORMANCE SERIES

SPECIFICATIONS

ACOUSTIC & ELECTRICAL SPECIFICATIONS:

- Nominal Impedance: 8 ohm
- Power Capacity: Continuous Pink Noise: 200W
Continuous Program: 400W
- Frequency Range: 50 Hz to 17 kHz (-10dB)
- Sensitivity: 102 dB SPL*
- Crossover Frequencies: 3 kHz

SYSTEM COMPONENTS:

- Cabinet: CG-733
- Grille: GG-733 (68287)
- Low Frequency Transducer: 203mm (8 in.) Cone Transducer (2118J-1)
- DC Resistance: 5.6 ohm \pm 10% Aluminum Wire
- Mid Range Transducer: 254mm (10 in.) Cone Transducer (MI10-1)
- DC Resistance: 10.7 ohm \pm 10% Copper Wire

*1 Watt (2.83 V RMS) @ 1 Meter

SYSTEM COMPONENTS: (cont'd)

- High Frequency Transducer: 25mm (1 in.) Pure Titanium Compression Driver (2416H)
- DC Resistance: 3.2 ohm \pm 8% Aluminum Wire
- Crossover Network: NG-733 (68281)

AURAL SWEEP TEST SPECIFICATIONS:

- A. System Aural Sweep Test: 7.0V Input, 20 Hz to 20 kHz
- B. L.F. Aural Sweep Test: 8.0V Input, 20 Hz to 1.2 kHz
- C. M.F. Aural Sweep Test: 7.0V Input, 20 Hz to 1.2 kHz
- D. H.F. Aural Sweep Test: 2.83V Input, 550 Hz to 1.2 kHz

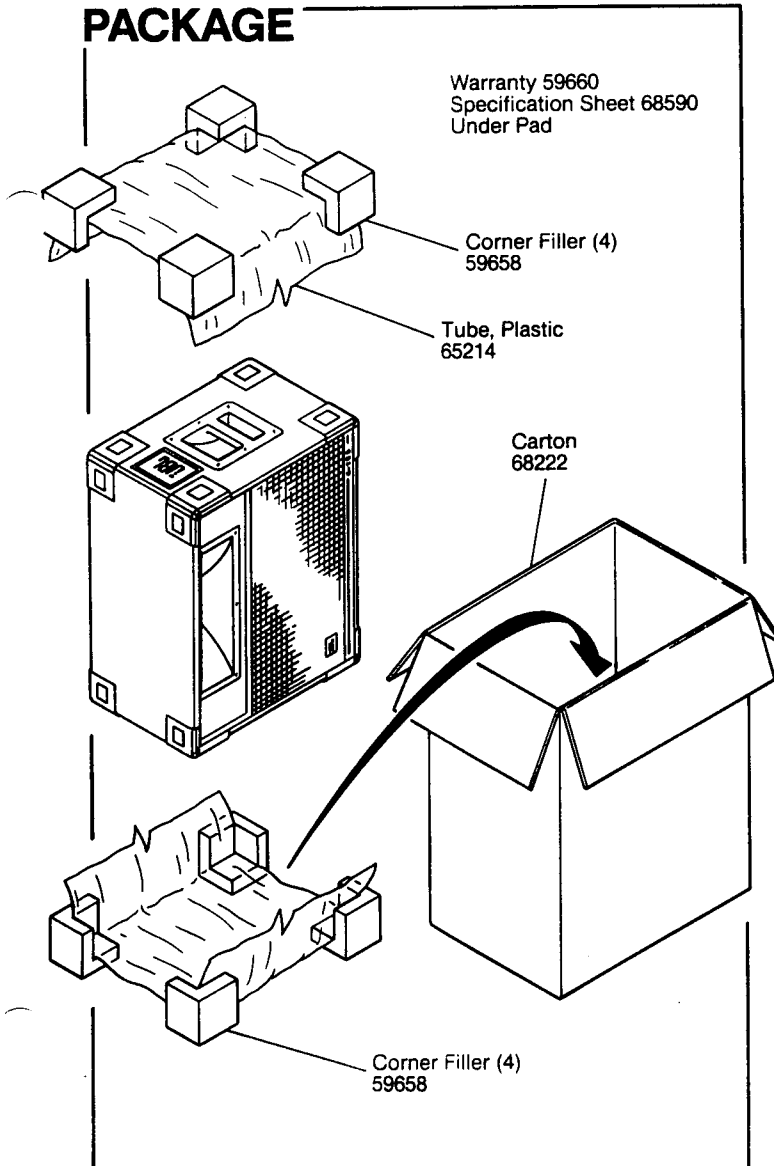
PHYSICAL SPECIFICATIONS:

- Enclosure Dimensions: 514mm x 667mm x 324mm D (20.25 x 26.25 x 12.75 in. D)
- Shipping Weight: 55 lbs. (24.9 kg)

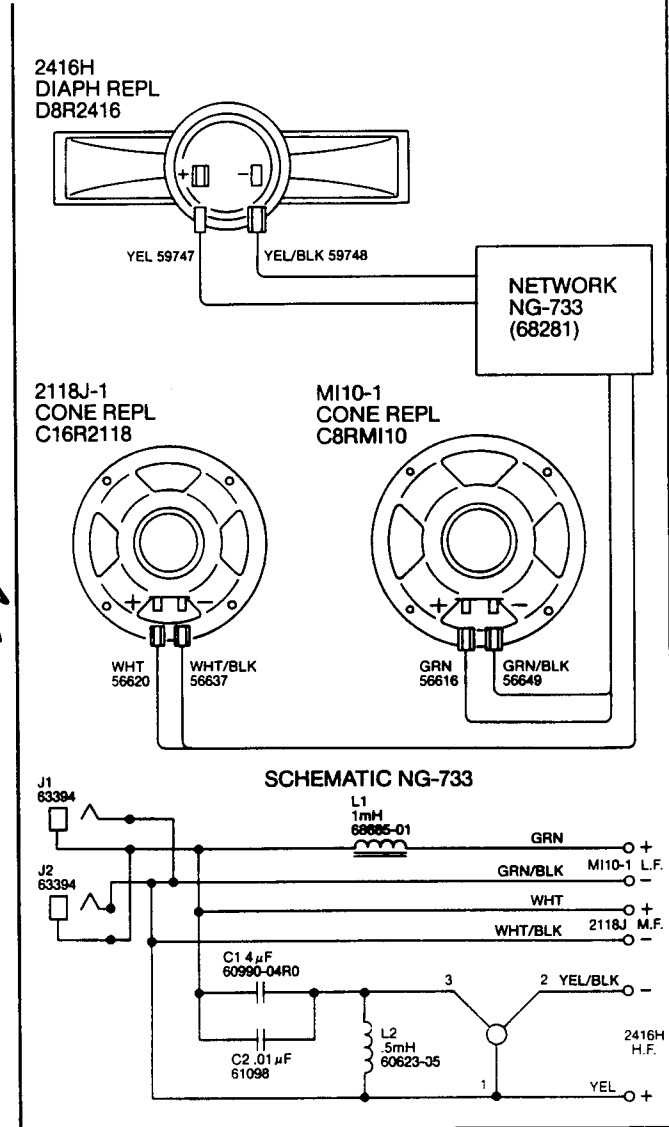
WARRANTY INFORMATION:

- Refer to the Warranty Statement packed with each product.

PACKAGE



WIRING DIAGRAM



JBL G-733 REV B

