

Technical Manual

JBL G-730 PERFORMANCE SERIES



SPECIFICATIONS

ACOUSTIC & ELECTRICAL SPECIFICATIONS:

- Nominal Impedance: 8 ohm
- Power Capacity: Continuous Pink Noise: 200W
Continuous Program: 400W
- Frequency Range: 70 Hz to 17 kHz (-10dB)
- Sensitivity: 102 dB SPL*
- Crossover Frequencies: 2.0 kHz

SYSTEM COMPONENTS:

- Cabinet: CG-730
- Grille: GG-730 (68640)
- Low Frequency Transducer: 305mm (12 in.) Cone Transducer (G125A-8)
- DC Resistance: 4.2 ohm \pm 10% Aluminum Wire

SYSTEM COMPONENTS: (cont'd)

- High Frequency Transducer: 25mm (1 in.) Pure Titanium Compression Driver (2416H)
- DC Resistance: 3.2 ohm \pm 8% Aluminum Wire
- Crossover Network: NG-730 (68636)

AURAL SWEEP TEST SPECIFICATIONS:

- A. System Aural Sweep Test: 7.0V Input, 20 Hz to 20 kHz
- B. L.F. Aural Sweep Test: 7.0V Input, 20 Hz to 1.2 kHz
- C. H.F. Aural Sweep Test: 2.83V Input, 550 Hz to 1.2 kHz

PHYSICAL SPECIFICATIONS:

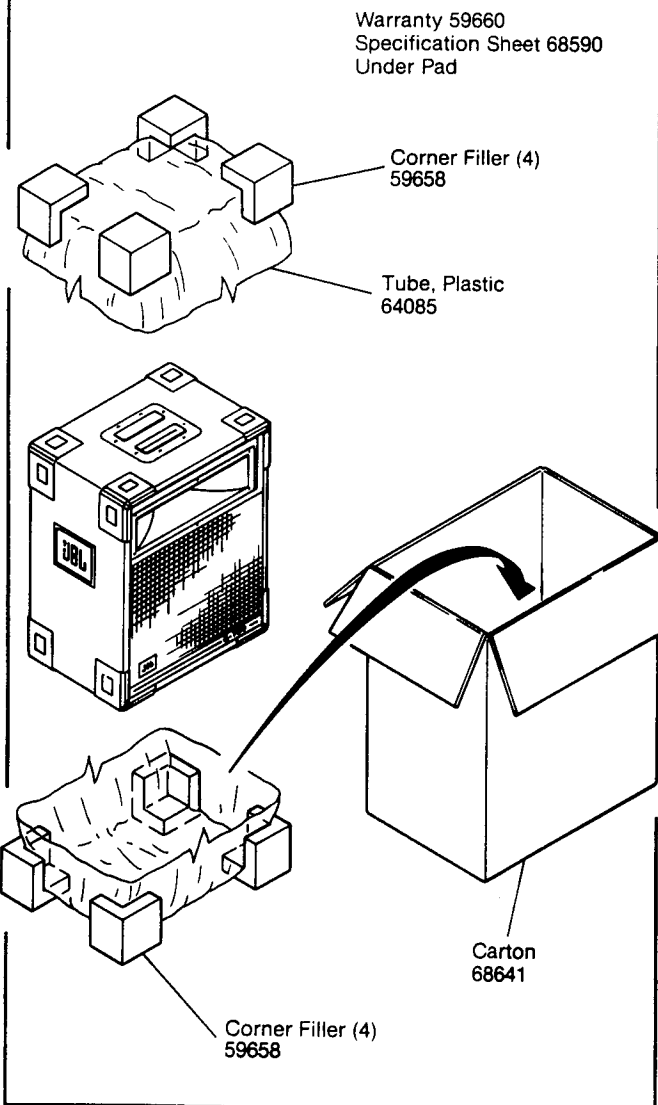
- Enclosure Dimensions: 552mm x 464mm x 298mm D (21.75 x 18.25 x 11.75 in. D)
- Shipping Weight: 48 lbs. (21.8 kg)

WARRANTY INFORMATION:

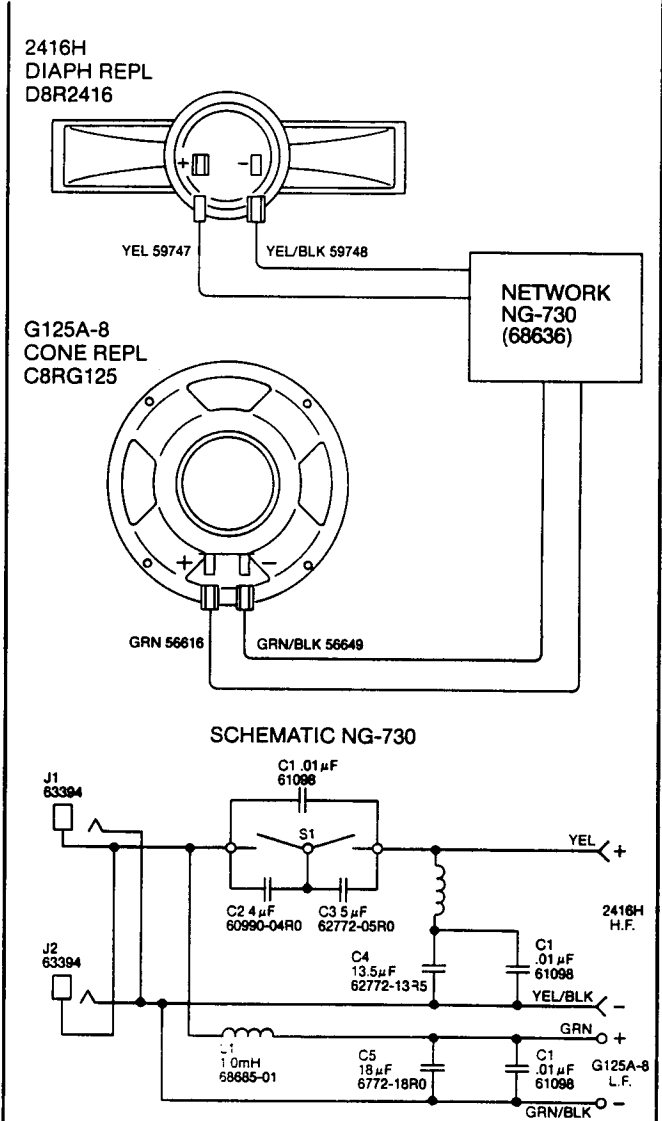
- Refer to the Warranty Statement packed with each product.

*1 Watt (2.83 V RMS) @ 1 Meter

PACKAGE

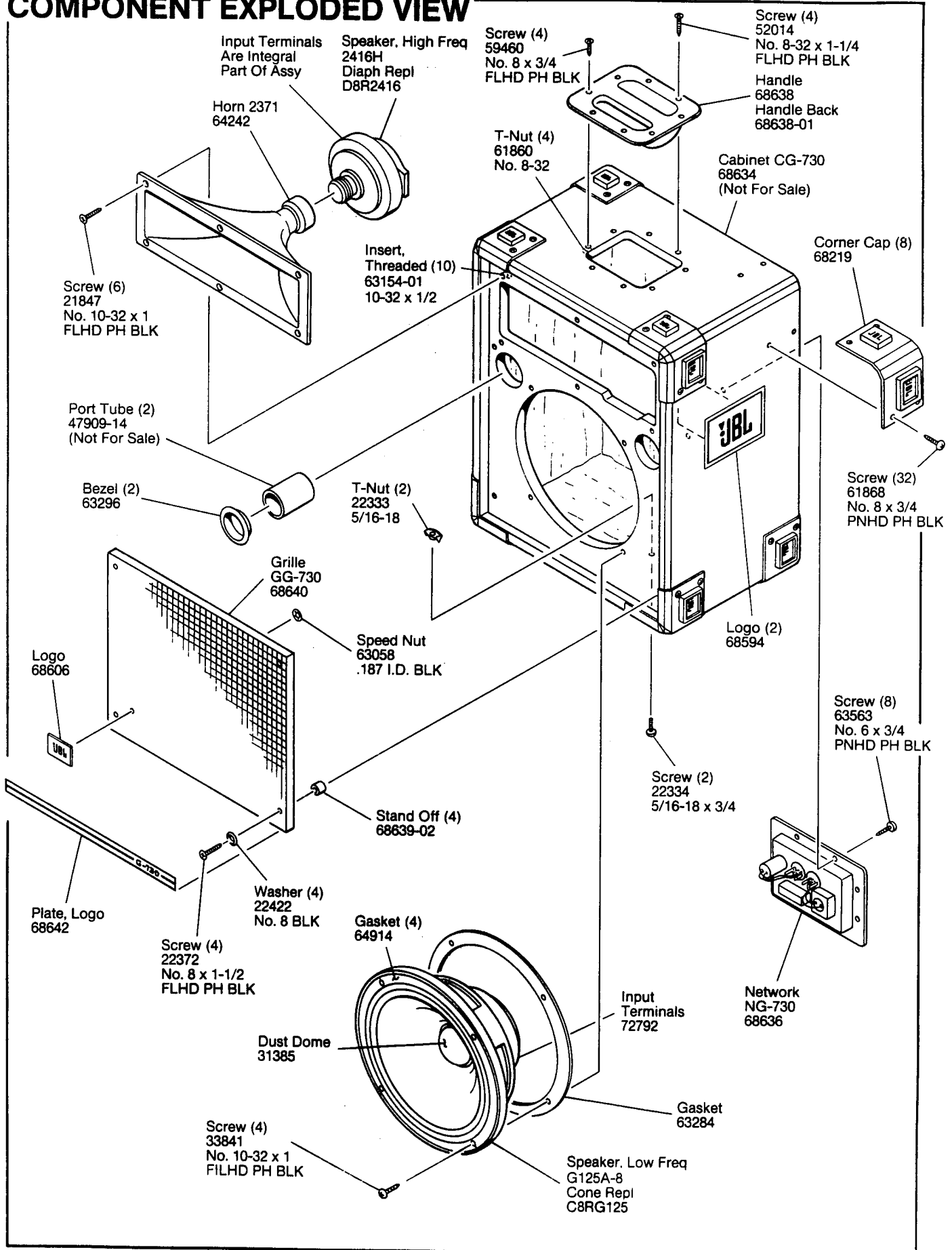


WIRING DIAGRAM



JBL G-730

COMPONENT EXPLODED VIEW



JBL G-730