

FLIX 2 CENTER/ SURROUND

SPECIFICATIONS

CENTER

ACOUSTIC & ELECTRICAL SPECIFICATIONS:

- Nominal Impedance: 8 ohm
- Recommended Amp Power: 10W TO 100W
- Frequency Response: 90 Hz to 20 kHz (-6 dB)
- Sensitivity: 90 dB SPL*
- Crossover Frequency: 7.5 Hz

SYSTEM COMPONENTS:

- Cabinet: CFLIX 2 Center (Not For Sale)
4-1/2 in. (114mm)
Hi-Polymer Laminate (2)
(C120R22J1970)
- DC Resistance: 4.0 ohm $\pm 10\%$
- High Frequency Transducer: 2-1/2 in. (64mm)
Fiber Cone (C065N10J1970)
- DC Resistance: 8 ohm $\pm 10\%$
- Crossover Network: (B6034166)

AURAL SWEEP TEST SPECIFICATIONS:

- A. System Aural Sweep Test: 5.0V Input, 80 Hz to 20 kHz
- B. L.F. Aural Sweep Test: 5.0V Input, 80 Hz to 4 kHz
- C. H.F. Aural Sweep Test: 3.0V Input, 4 kHz to 20 kHz

PHYSICAL SPECIFICATIONS:

- Enclosure Dimensions: 6.0 x 18.5 x 5.87 in. D
(152mm x 470mm x 149mm D)

SHIPPING WEIGHT:

See Package

*1 Watt @ 1 Meter

SURROUND (2)

ACOUSTIC & ELECTRICAL SPECIFICATIONS:

- Nominal Impedance: 8 ohm
- Recommended Amp Power: 10W to 50W
- Frequency Response: 100 Hz to 20 kHz (-6 dB)
- Sensitivity: 90 dB SPL*
- Crossover Frequency: 9.0 kHz

SYSTEM COMPONENTS:

- Cabinet: CFLIX 2 Surround (Not For Sale)
4-1/2 in. (114mm)
Hi-Polymer Laminate
(C120K22J1970)
- DC Resistance: 4.0 ohm $\pm 10\%$
- High Frequency Transducer: 1/2 in. (12mm)
Poly Dome (D011N01J1970)
- DC Resistance: 8 ohm $\pm 10\%$
- Crossover Network: (B6034167)

AURAL SWEEP TEST SPECIFICATIONS:

- A. System Aural Sweep Test: 5.0V Input, 100 Hz to 16 kHz

PHYSICAL SPECIFICATIONS:

- Enclosure Dimensions: 8.68 x 5.87 x 5.25 in. D
(221mm x 149mm x 133mm D)

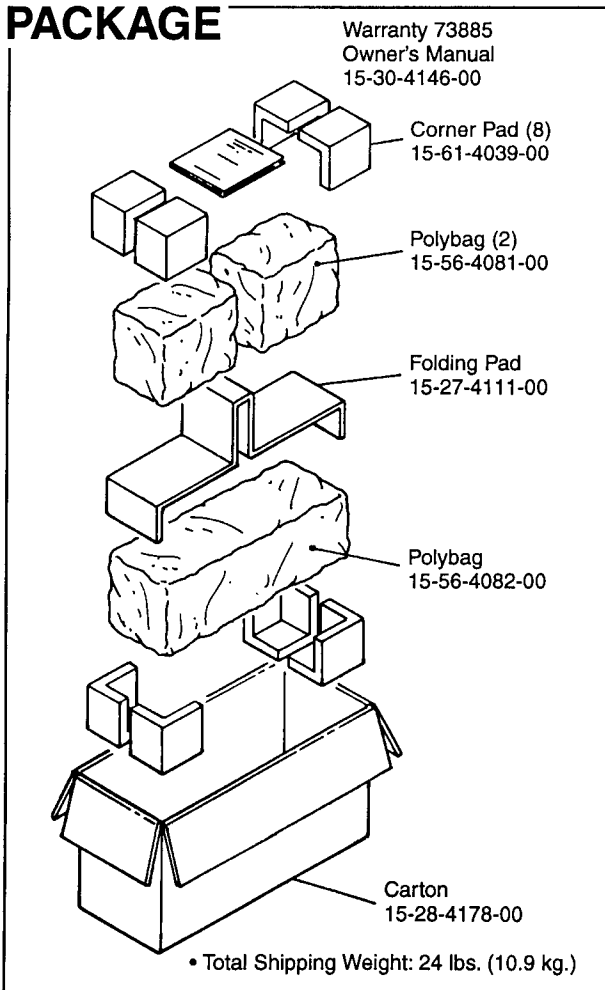
SHIPPING WEIGHT:

See Package

WARRANTY INFORMATION:

- Refer to the Warranty Statement packed with each product

PACKAGE

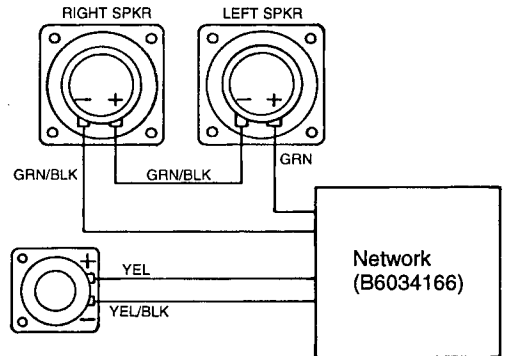


WIRING DIAGRAM

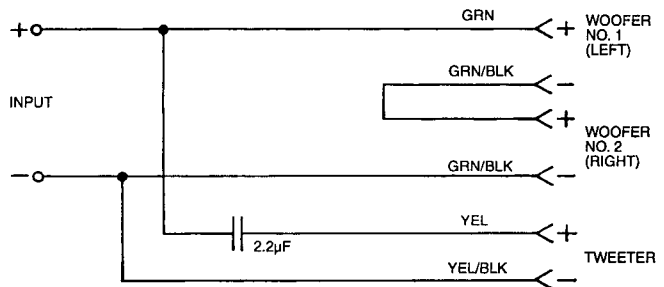
CENTER

Speaker,
Low Freq (2)
(C120R22J1970)

Speaker,
High Freq
(C065N10J1970)



SCHEMATIC, CENTER



SURROUND (2)

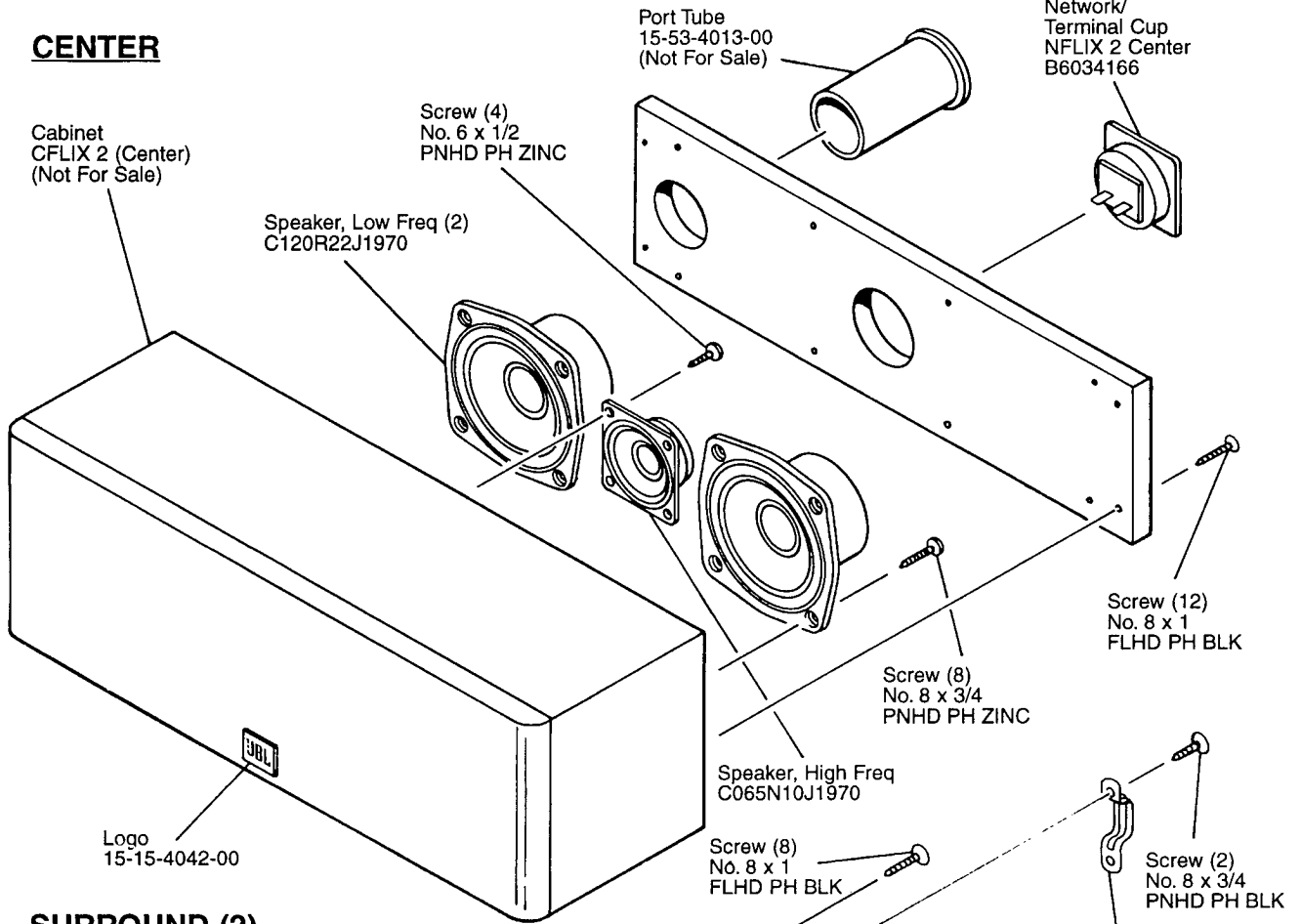
(See Back of Page)

NOTE: CONE/DIAPHRAGM KIT NOT AVAILABLE. DEFECTIVE SPEAKER SHOULD BE REPLACED.

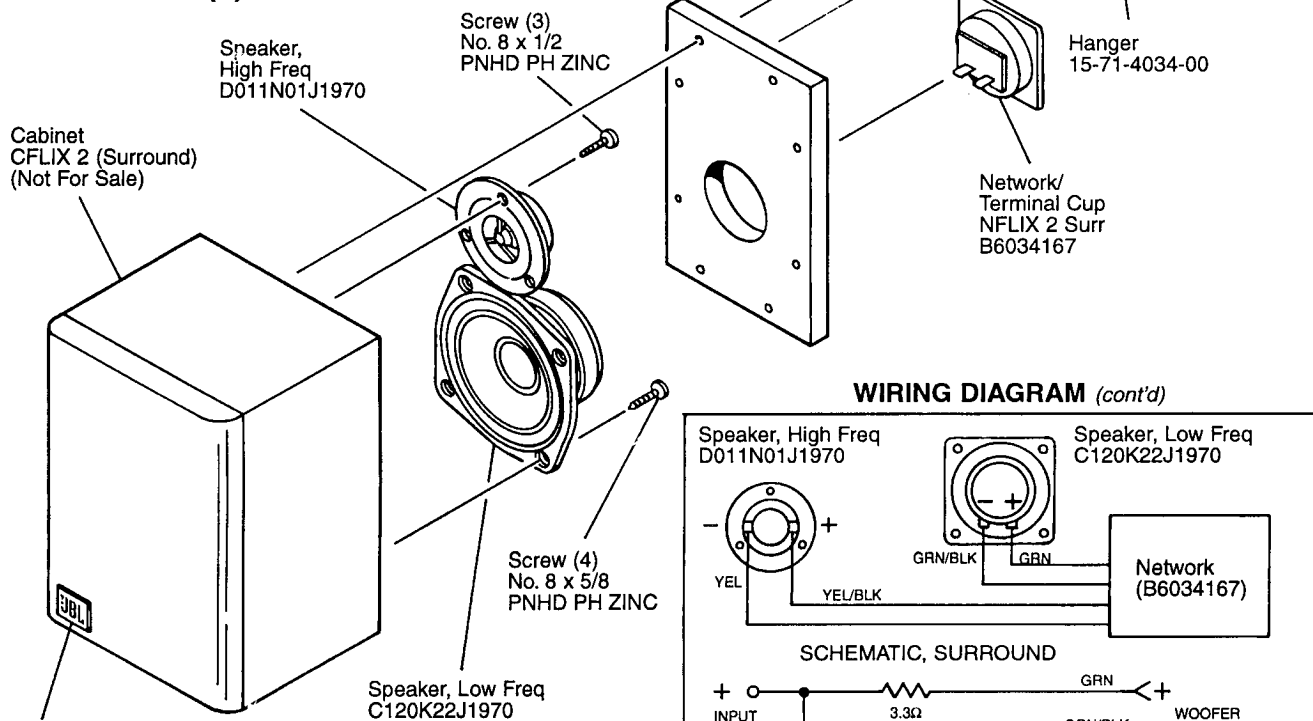
FLIX 2

COMPONENT EXPLODED VIEW

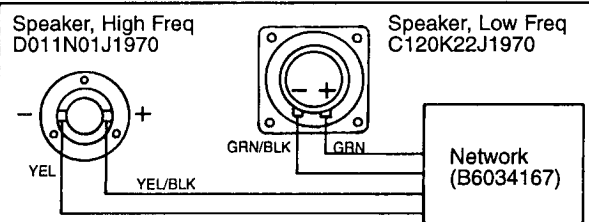
CENTER



SURROUND (2)



WIRING DIAGRAM (cont'd)



SCHEMATIC, SURROUND

