

Technical Manual



JBL E145-8, (-16)

SPECIFICATIONS

ACOUSTIC & ELECTRICAL SPECIFICATIONS:

- Nominal Impedance: 8 ohm, 16 ohm
- Power Capacity: 300W Continuous Program
150W Continuous Sine Wave²
- Frequency Range: 35 Hz to 25000 Hz
- Sensitivity: 98 dB SPL*
- Crossover Frequencies: N/A

SYSTEM COMPONENTS:

- Cabinet: N/A
- Grille: N/A
- Low Frequency Transducer: 380mm (15 in.) Cone
Transducer (E145-8, -16)
- DC Resistance: 5.8 ohm ±10% Copper Wire (-8)
13.2 ohm ±10% Copper Wire (-16)

AURAL SWEEP TEST SPECIFICATIONS:

- L.F. Aural Sweep Test: 7.0V Input, 20 Hz to 1.2 kHz (-8)
14.0V Input, 20 Hz to 1.2 kHz (-16)

PHYSICAL SPECIFICATIONS:

- Enclosure Dimensions: 403mm x 403mm x 159mm D
(15.87 x 15.87 x 6.25 in. D)
- Net Weight: 28-1/2 lbs. (13.0 kg.)

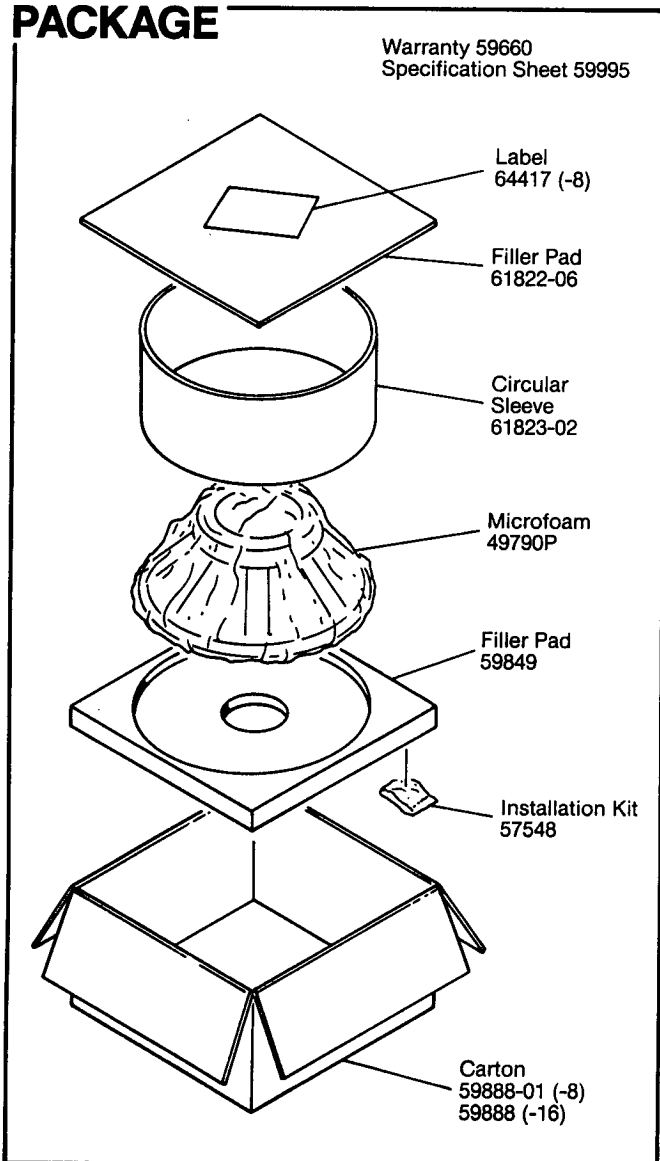
WARRANTY INFORMATION:

- Refer to the Warranty Statement packed with each product.

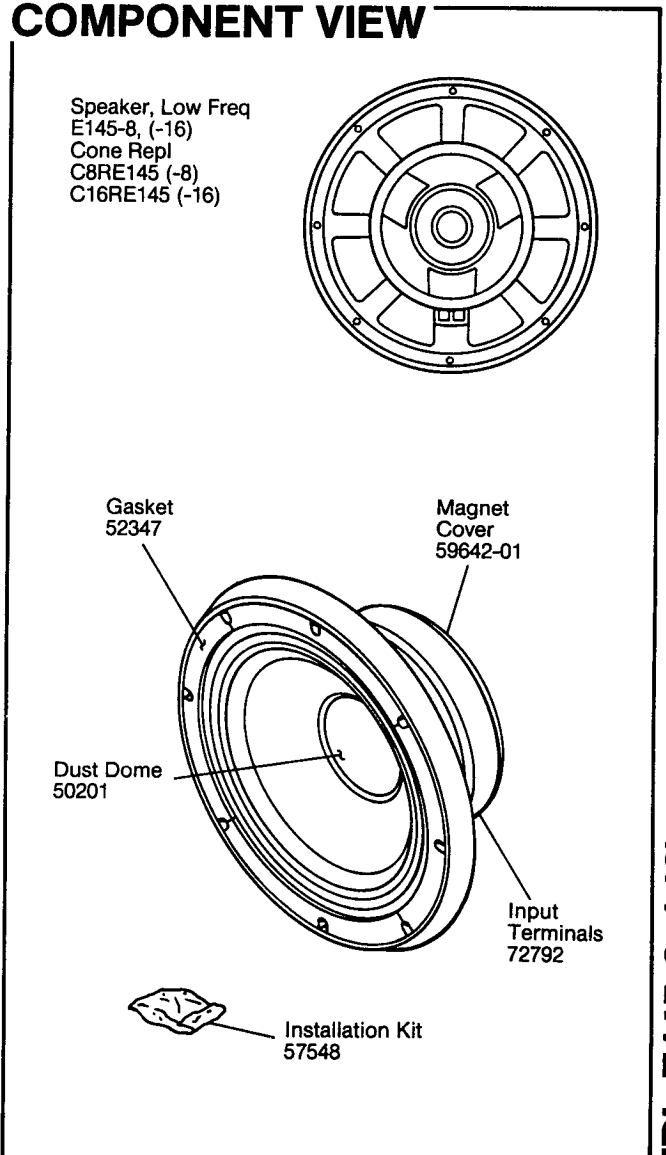
*1 Watt (2.83 V RMS) @ 1 Meter (-8)

*1 Watt (4.0 V RMS) @ 1 Meter (-16)

PACKAGE



COMPONENT VIEW

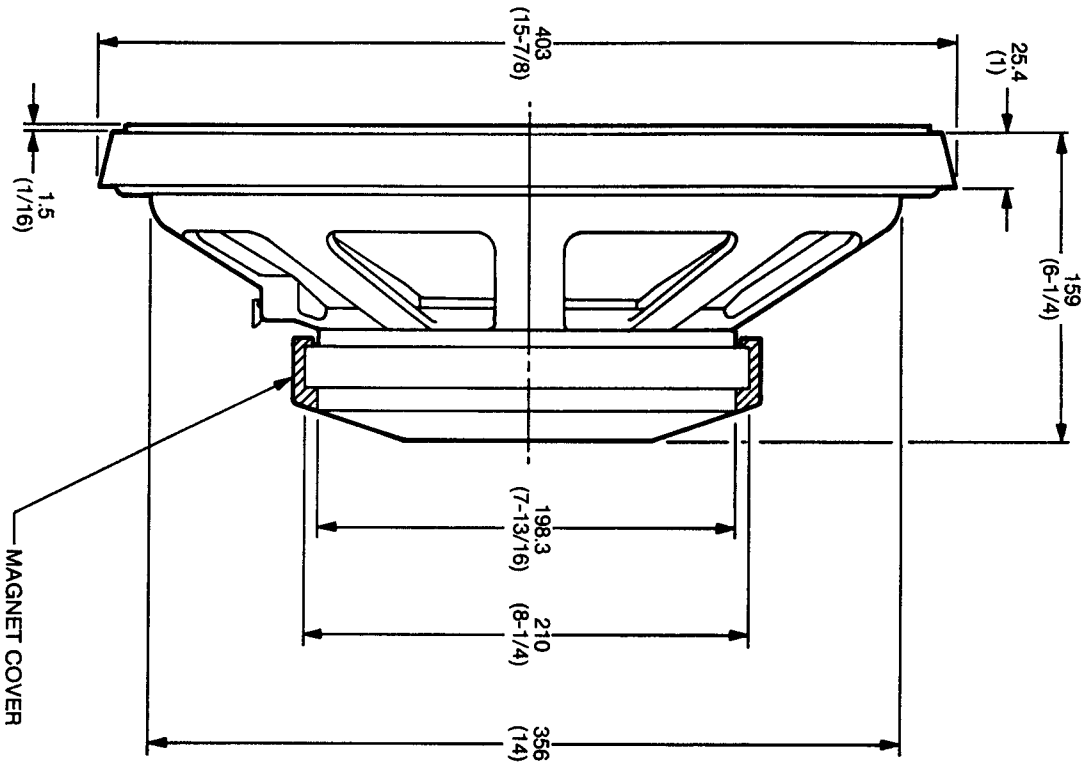


JBL E145-8, (-16) REVA

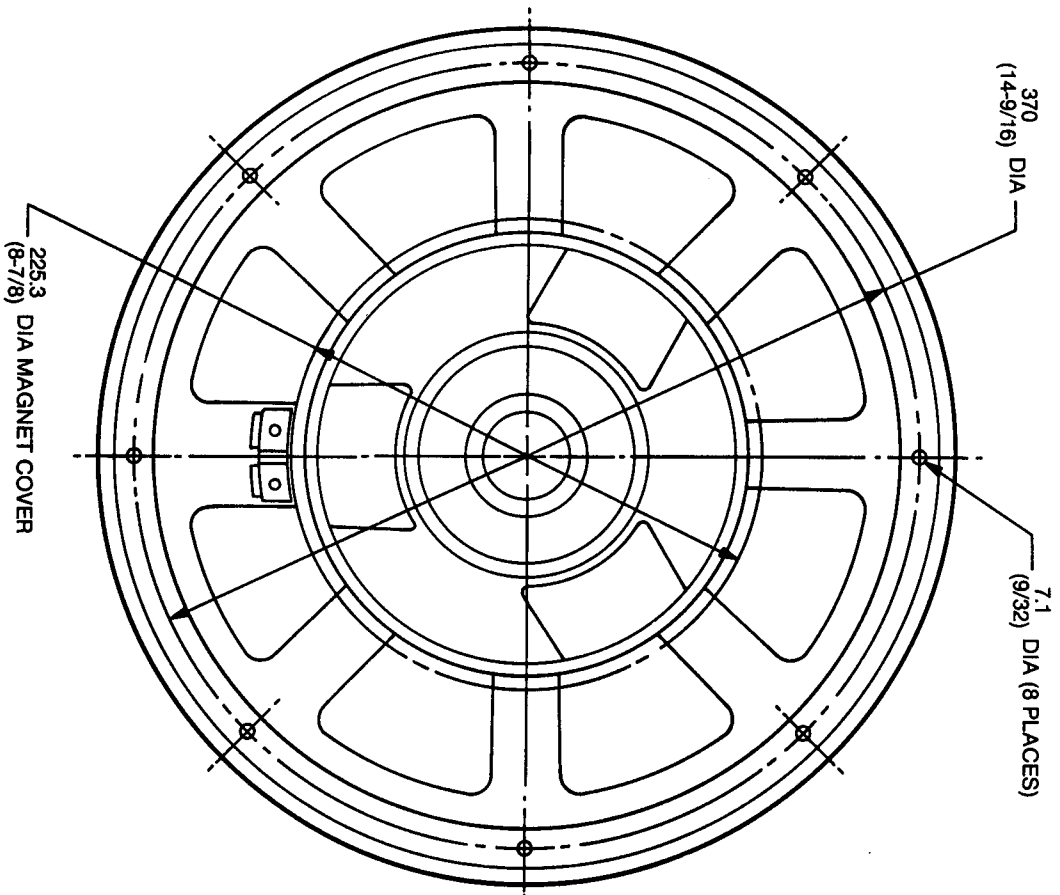
JBL E145-8, (-16)

MECHANICAL DRAWING

THESE DRAWINGS AND SPECIFICATIONS ARE THE PROPERTY OF JBL INCORPORATED. THEY ARE TO BE USED AS THE BASIS FOR MANUFACTURE OR SALE OF APPARATUS WITHOUT WRITTEN PERMISSION.



ALL DIMENSIONS ARE REF. ONLY
NOTE: DIMENSIONS IN () ARE IN INCHES



JBL E145-8, (-16)