

Technical Manual



JBL E110-8, (-16)

SPECIFICATIONS

ACOUSTIC & ELECTRICAL SPECIFICATIONS:

- Nominal Impedance: 8 ohm, 16 ohm
- Power Capacity: 150W Continuous Program
75W Continuous Sine Wave²
- Frequency Range: 60 Hz to 8000 Hz
- Sensitivity: 98 dB SPL*
- Crossover Frequencies: N/A

SYSTEM COMPONENTS:

- Cabinet: N/A
- Grille: N/A
- Low Frequency Transducer: 250mm (10 in.) Cone Transducer (E110-8, -16)
- DC Resistance: 6.0 ohm ±10% Aluminum Wire (-8)
13.2 ohm ±10% Aluminum Wire (-16)

AURAL SWEEP TEST SPECIFICATIONS:

- L.F. Aural Sweep Test: 7.0V Input, 20 Hz to 1.2 kHz (-8)
14.0V Input, 20 Hz to 1.2 kHz (-16)

PHYSICAL SPECIFICATIONS:

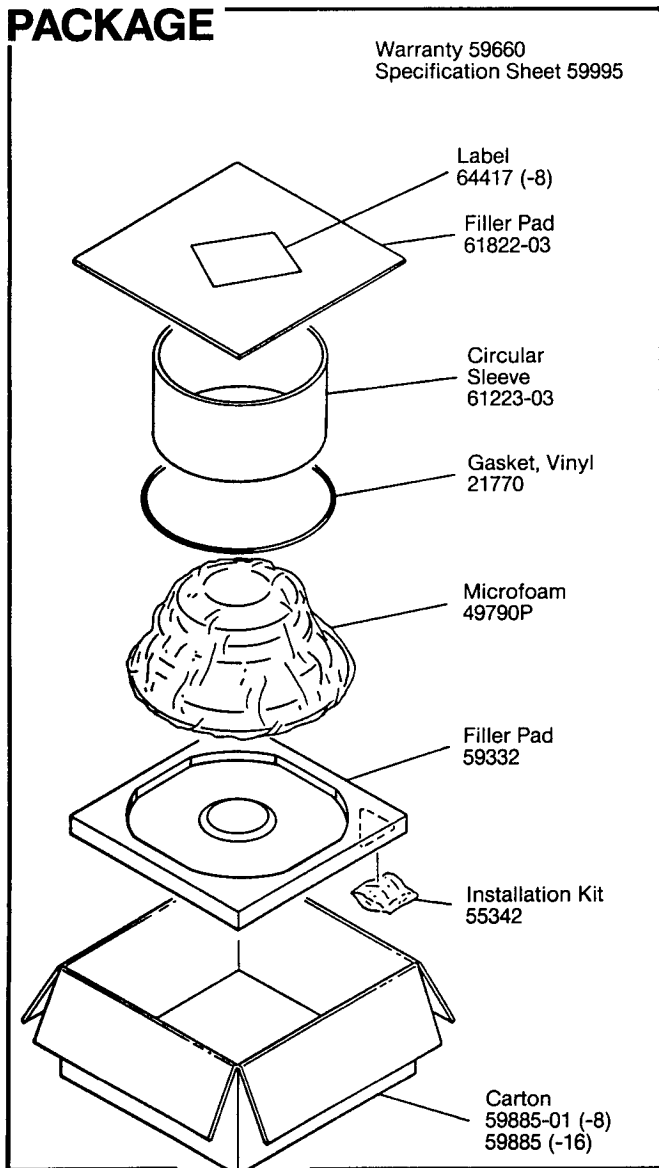
- Enclosure Dimensions: 261mm x 261mm x 111mm D
(10.25 x 10.25 x 4.38 in. D)
- Net Weight: 11-7/8 lbs. (5.4 kg.)

WARRANTY INFORMATION:

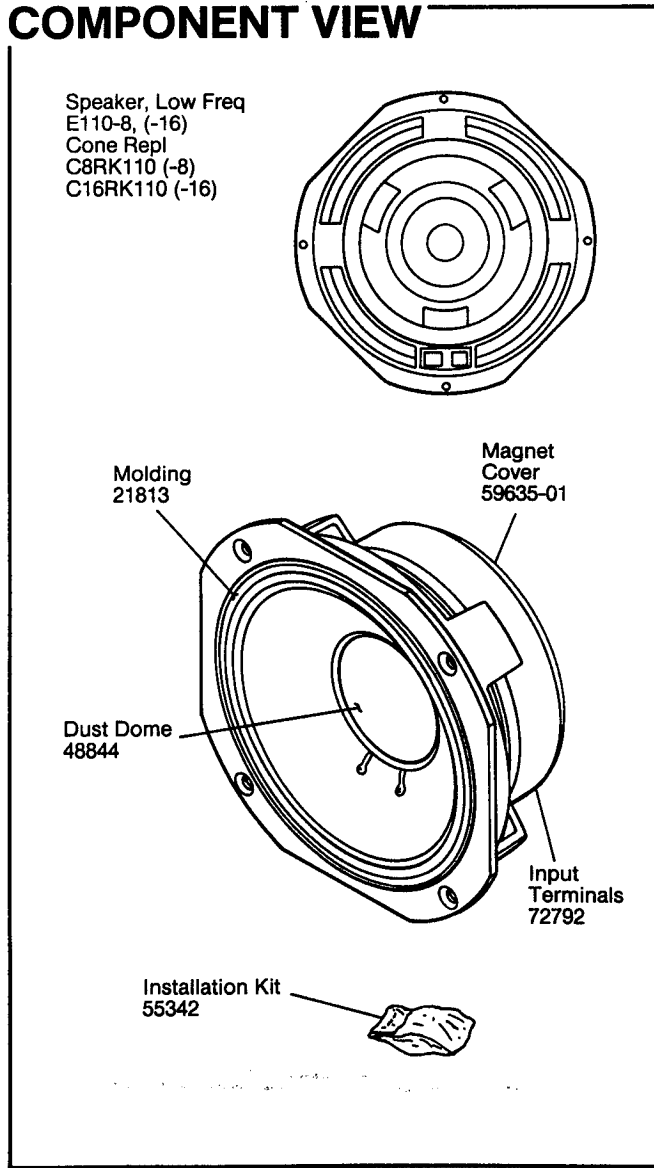
- Refer to the Warranty Statement packed with each product.

*1 Watt (2.83 V RMS) @ 1 Meter (-8)
*1 Watt (4.0 V RMS) @ 1 Meter (-16)

PACKAGE



COMPONENT VIEW

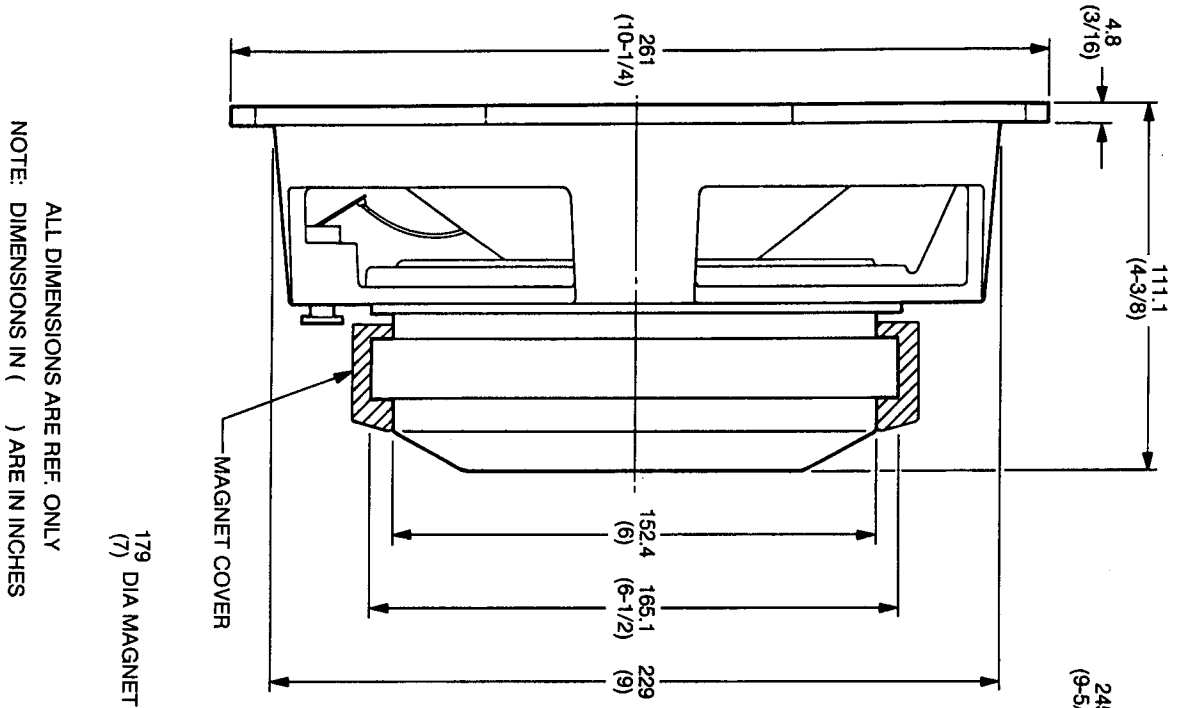


JBL E110-8, (-16) REV A

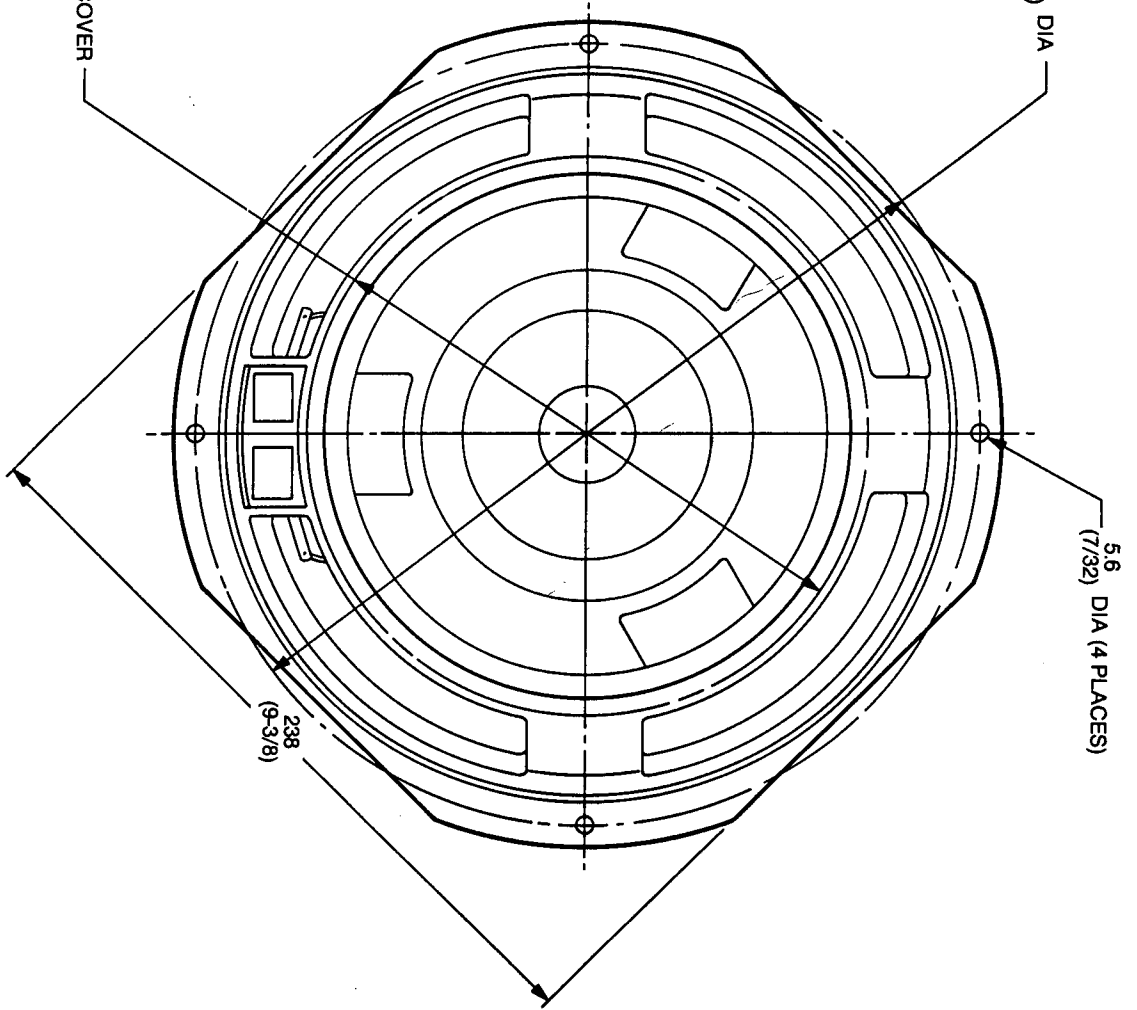
JBL E110-8, (-16)

MECHANICAL DRAWING

THESE DRAWINGS AND SPECIFICATIONS ARE THE PROPERTY OF JBL INCORPORATED. THEY ARE ISSUED IN STRICT CONFIDENCE AND SHALL BE REPRODUCED OR COPY RIGHTS IN ANY MANNER WITHOUT THE WRITTEN PERMISSION OF JBL INCORPORATED.



ALL DIMENSIONS ARE REF. ONLY
NOTE: DIMENSIONS IN () ARE IN INCHES



JBL E110-8, (-16)