



CF80

SPECIFICATIONS

ACOUSTIC & ELECTRICAL SPECIFICATIONS:

- Nominal Impedance: 8 ohm
- Recommended Amp Power: 10W to 100W
- Frequency Range: 43 Hz to 20 kHz (-6 dB)
- Sensitivity: 92 dB SPL*
- Crossover Frequency: 4.5 kHz

SYSTEM COMPONENTS:

- Cabinet: CCF80 (B6140667)
- Grille: GCF80 (B6940144)
- Low Frequency Transducer: 8 in. (200mm) Polymer Laminate (C200L57U1070)
- DC Resistance: 6.0 ohm ±15% Copper Wire
- High Frequency Transducer: (14mm) Ti Laminate (14R7D08RRH0094)

*1 Watt @ 1 Meter

SYSTEM COMPONENTS: (cont'd)

- DC Resistance: 6 ohm ±10% Copper Wire
- Crossover Network/ Terminal Cup: B6034157

AURAL SWEEP TEST SPECIFICATIONS:

- A. System Aural Sweep Test: 5.0V Input, 20 Hz to 20 kHz
- B. L.F. Aural Sweep Test: 4.0V Input, 50 Hz to 5 kHz
- C. H.F. Aural Sweep Test: 2.0V Input, 1 kHz to 20 kHz

PHYSICAL SPECIFICATIONS:

- Enclosure Dimensions: 19.62 x 11.0 x 11.37 in. D (498mm x 279mm x 289mm D)

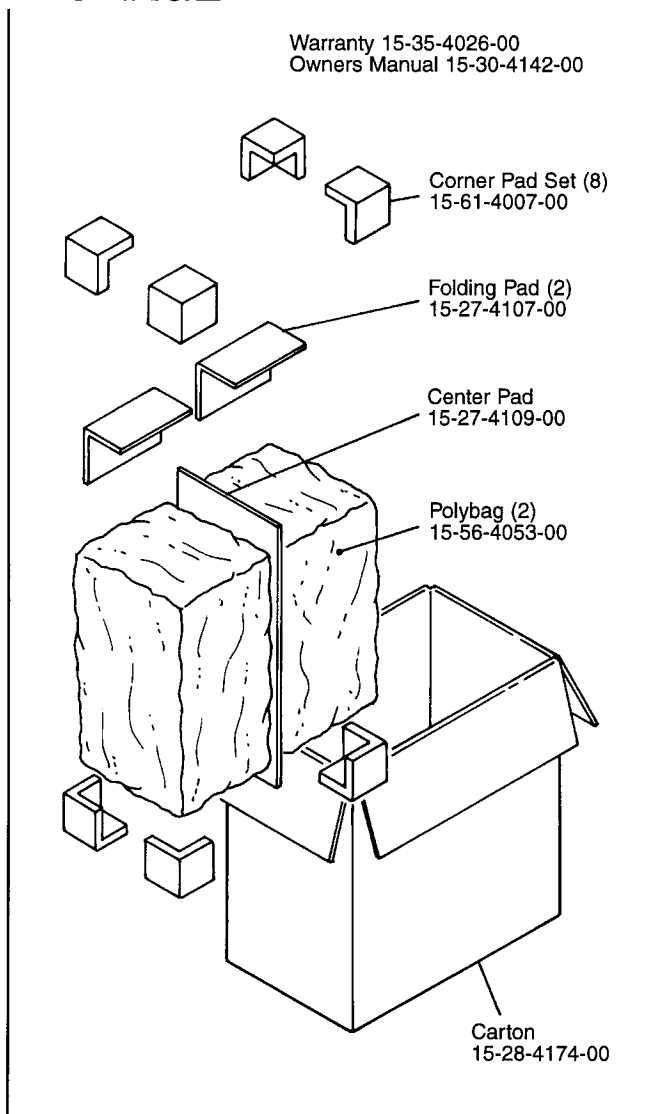
SHIPPING WEIGHT:

52 lbs. (23.6 kg.) in Pairs

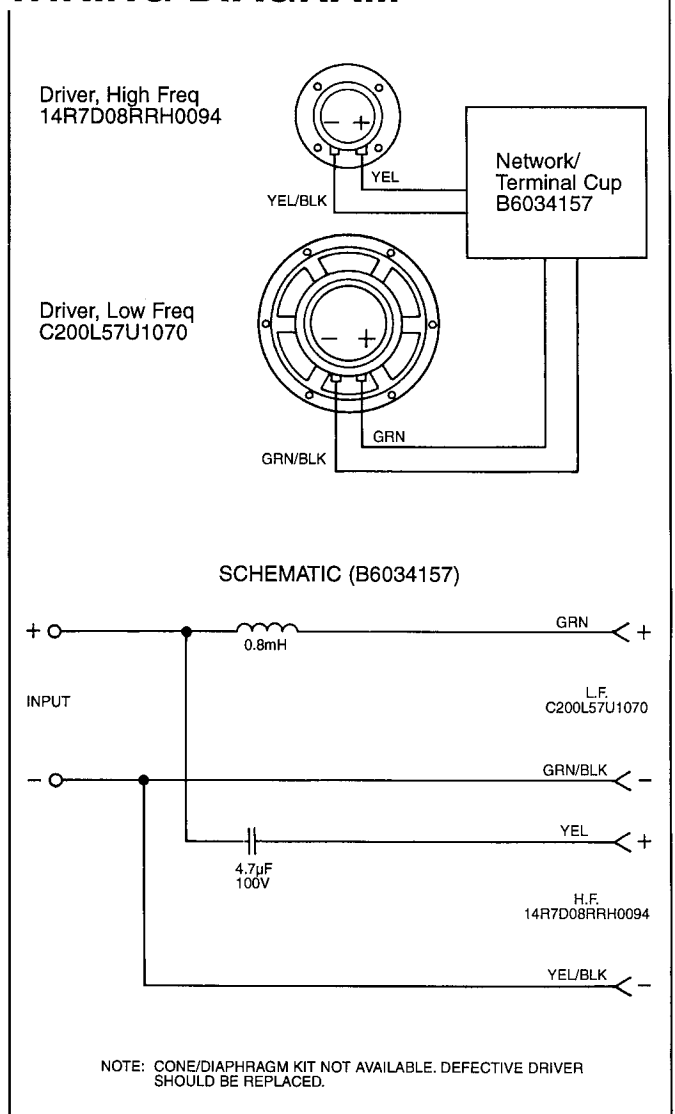
WARRANTY INFORMATION:

- Refer to the Warranty Statement packed with each product.

PACKAGE



WIRING DIAGRAM



CF80

COMPONENT EXPLODED VIEW

