



# CF120

## SPECIFICATIONS

### ACOUSTIC & ELECTRICAL SPECIFICATIONS:

- Nominal Impedance: 8 ohm
- Recommended Amp Power: 10W to 250W
- Frequency Response: 36 Hz to 20 kHz (-6 dB)
- Sensitivity: 96 dB SPL\*
- Crossover Frequencies: 800 Hz and 7 kHz

### SYSTEM COMPONENTS:

- Cabinet: CCF120 (B16140654)  
Not For Sale
- Grille: GCF120 (B6940132)
- Low Frequency Transducer: C300L49U1070
- DC Resistance: 7.0 ohm  $\pm$ 15%
- Mid Range Transducer: 4-1/2 in. (114mm)  
C110M16U1071
- DC Resistance: 8.0 ohm  $\pm$ 15%

\*1 Watt @ 1 Meter

### SYSTEM COMPONENTS: (cont'd)

- High Frequency Transducer: (14mm) Ti Laminate  
14R7D08RRH0094
- DC Resistance: 6 ohm  $\pm$ 10%
- Crossover Network/  
Terminal Cup: B6034150

### AURAL SWEEP TEST SPECIFICATIONS:

- A. System Aural Sweep Test: 5.0V Input, 20 Hz to 20 kHz
- B. L.F. Aural Sweep Test: 5.0V Input, 50 Hz to 5 kHz
- C. M.F. Aural Sweep Test: 4.0V Input, 700 Hz to 5 kHz
- D. H.F. Aural Sweep Test: 2.0V Input, 1 kHz to 20 kHz

### PHYSICAL SPECIFICATIONS:

- Enclosure Dimensions: 31.5 X 16.5 X 15.0 in. D  
(800mm x 420mm x 381mm D)

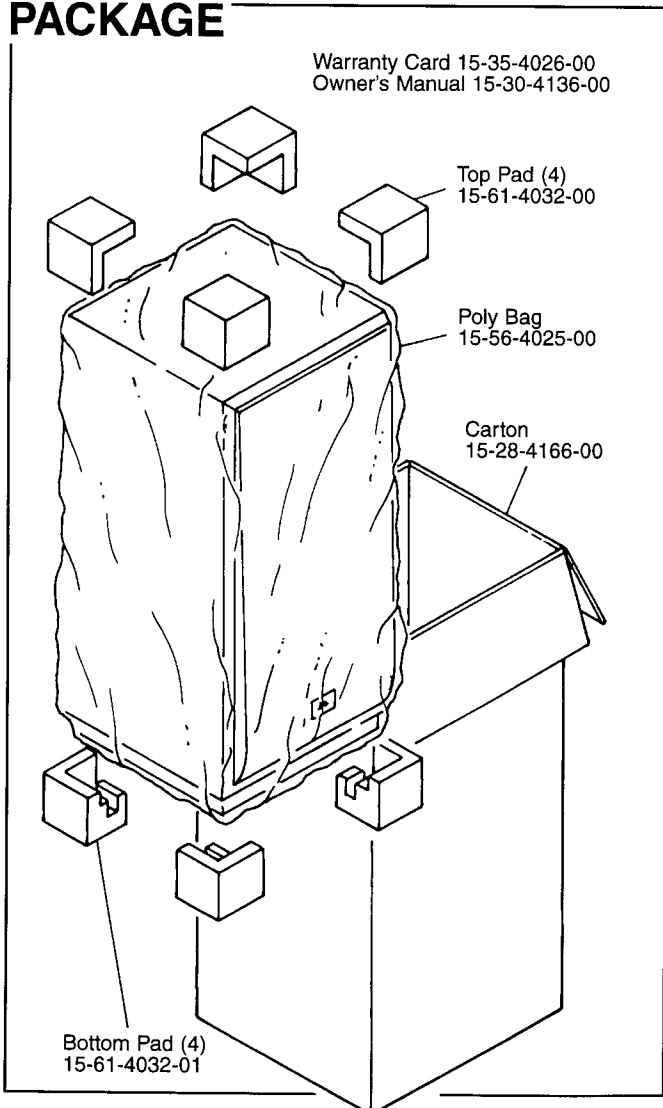
### SHIPPING WEIGHT:

54 lbs. (24.5 kg.)

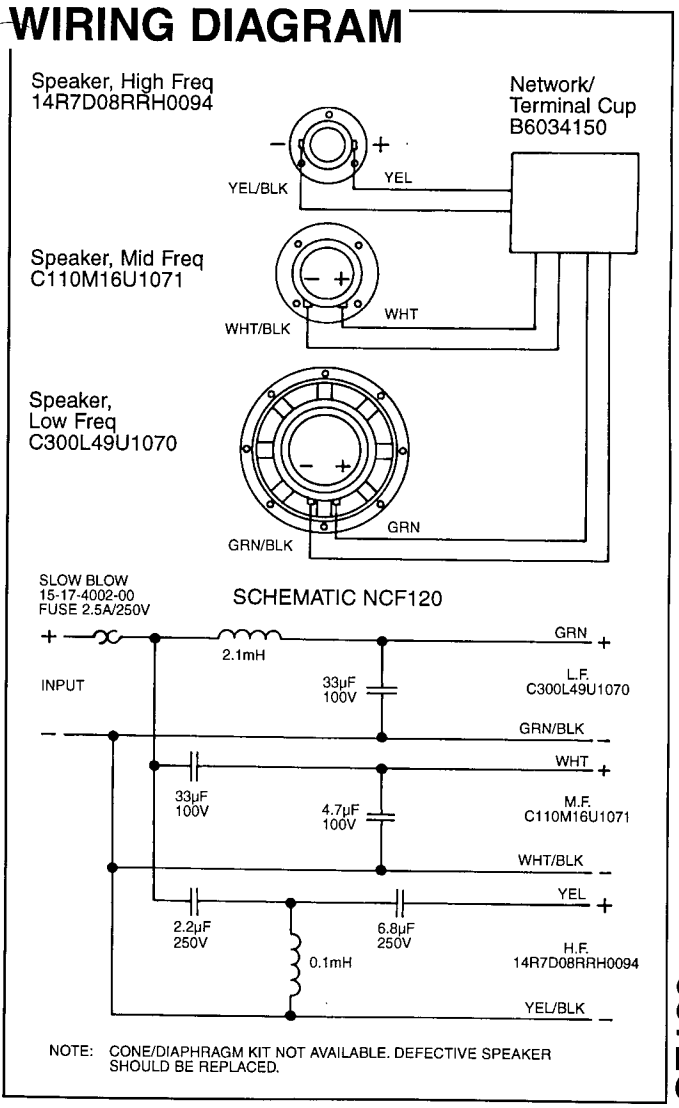
### WARRANTY INFORMATION:

- Refer to the Warranty Statement packed with each product.

## PACKAGE



## WIRING DIAGRAM



CF120

# CF120

## COMPONENT EXPLODED VIEW

