

AS-65C

SPECIFICATIONS

ACOUSTIC & ELECTRICAL SPECIFICATIONS:

- Nominal Impedance: 8 ohm
- Max Amp Power: 50W
- Frequency Range: 45 Hz – 20 kHz (-6 dB)
- Sensitivity: 90 dB SPL, 1 Watt @ 1 Meter
- Crossover Frequency: 6 kHz

SYSTEM COMPONENTS:

- Front Baffle: JBLAS65C010
- Grille: JBLAS65C004 (Assy)
- Low Frequency Transducer: JBLAS65C003 (Woofer)
DC Resistance: 6.8 ohm ±15%
- High Frequency Transducer: 1/2 in. (13mm) Titanium Plated on Mylar JBLAS65C003 (Tweeter)
DC Resistance: 6.8 ohm ±15%
- Crossover Network: JBLAS65C006

AURAL SWEEP TEST SPECIFICATIONS:

- A. System Aural Sweep Test: 6.0V Input, 45 Hz to 20 kHz
- B. L.F. Aural Sweep Test: 6.0V Input, 40 Hz to 4 kHz
- C. H.F. Aural Sweep Test: 2.0V Input, 2.5 kHz to 20 kHz

PHYSICAL SPECIFICATIONS:

- Enclosure Dimensions: 8.12 DIA (206mm DIA)

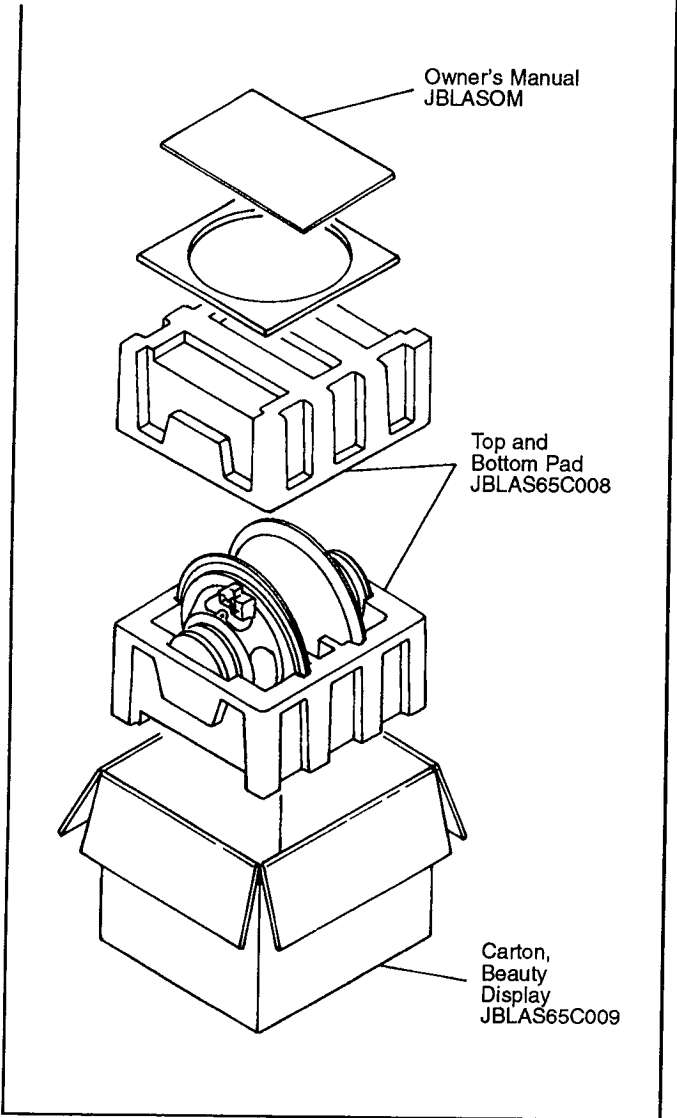
SHIPPING WEIGHT:

7.7 lbs. (3.5 kg.) (In Pairs)

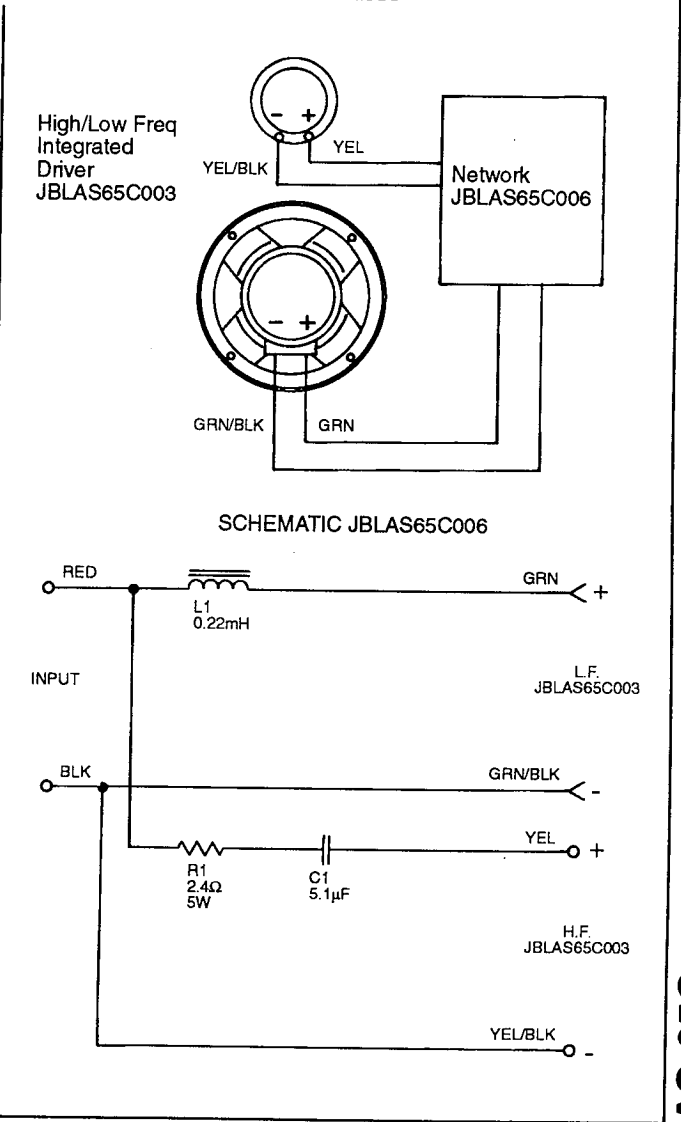
WARRANTY INFORMATION:

- Refer to Warranty Statement packed with each product.

PACKAGE



WIRING DIAGRAM



AS-65C

COMPONENT EXPLODED VIEW

