



JBL940T

SPECIFICATIONS

ACOUSTIC & ELECTRICAL SPECIFICATIONS:

- Nominal Impedance: 4 ohm
- Power Rating: 10W to 300W
- Frequency Response: 50 Hz to 23 kHz
- Sensitivity: 94 dB SPL*
- Crossover Frequencies: 200 Hz, 800 Hz, 4 kHz

SYSTEM COMPONENTS:

- Cabinet: CJBL940T
- Grille: GJBL940T
- Low Frequency Transducer: 308G-4 (8.0 in.) 204mm and 310G-4 (10 in.) 254mm High Polymer Laminate

SYSTEM COMPONENTS: (cont'd)

- Mid Frequency Transducer: 305G-4 (5.0 in.) 127mm High Polymer Laminate
- High Frequency Transducer: 25mm (1 in.) Pure Titanium Diaphragm (022Ti)
- Crossover Network: NJBL940T, 4-Way System

PHYSICAL SPECIFICATIONS:

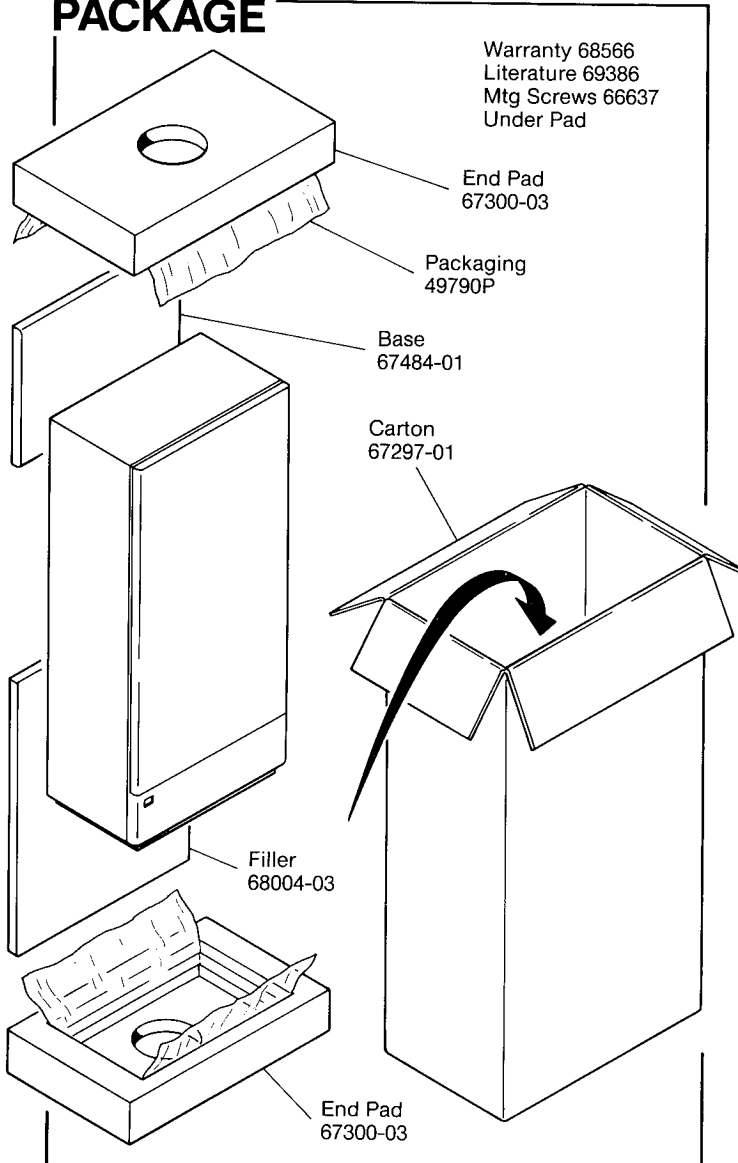
- Enclosure Dimensions: 1111mm x 470mm x 260mm D (43.75 x 18.5 x 10.25 in. D)
- Shipping Weight: 65 lbs.

WARRANTY INFORMATION:

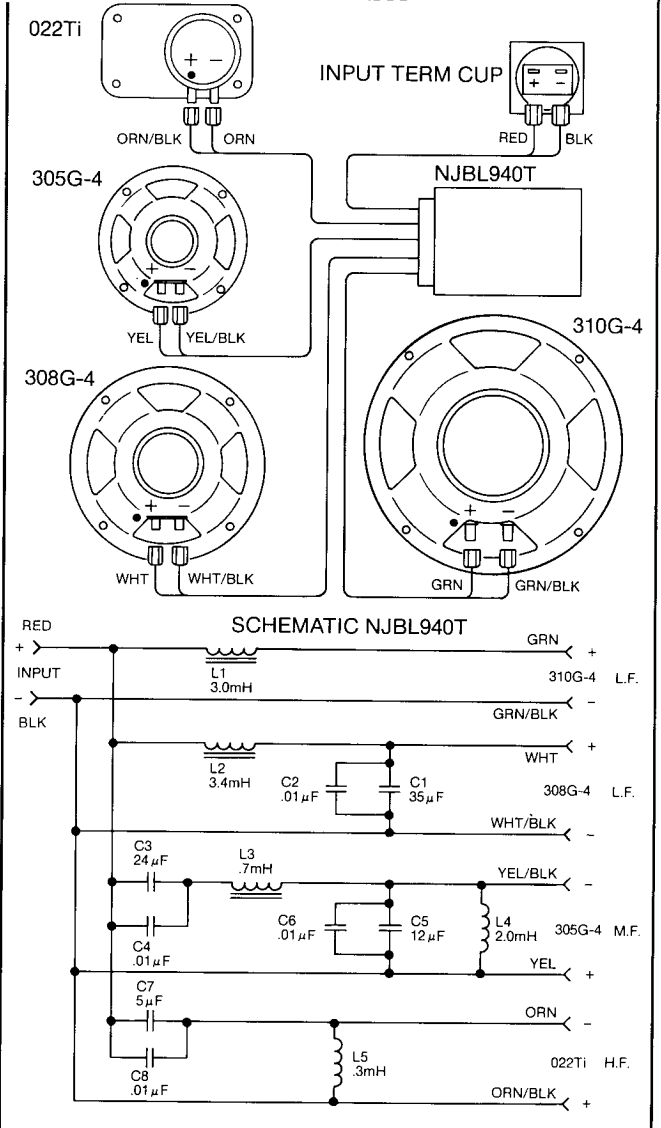
- Refer to the Warranty Statement packed with each product.

*1 Watt (2.83 V RMS) @ 1 Meter

PACKAGE



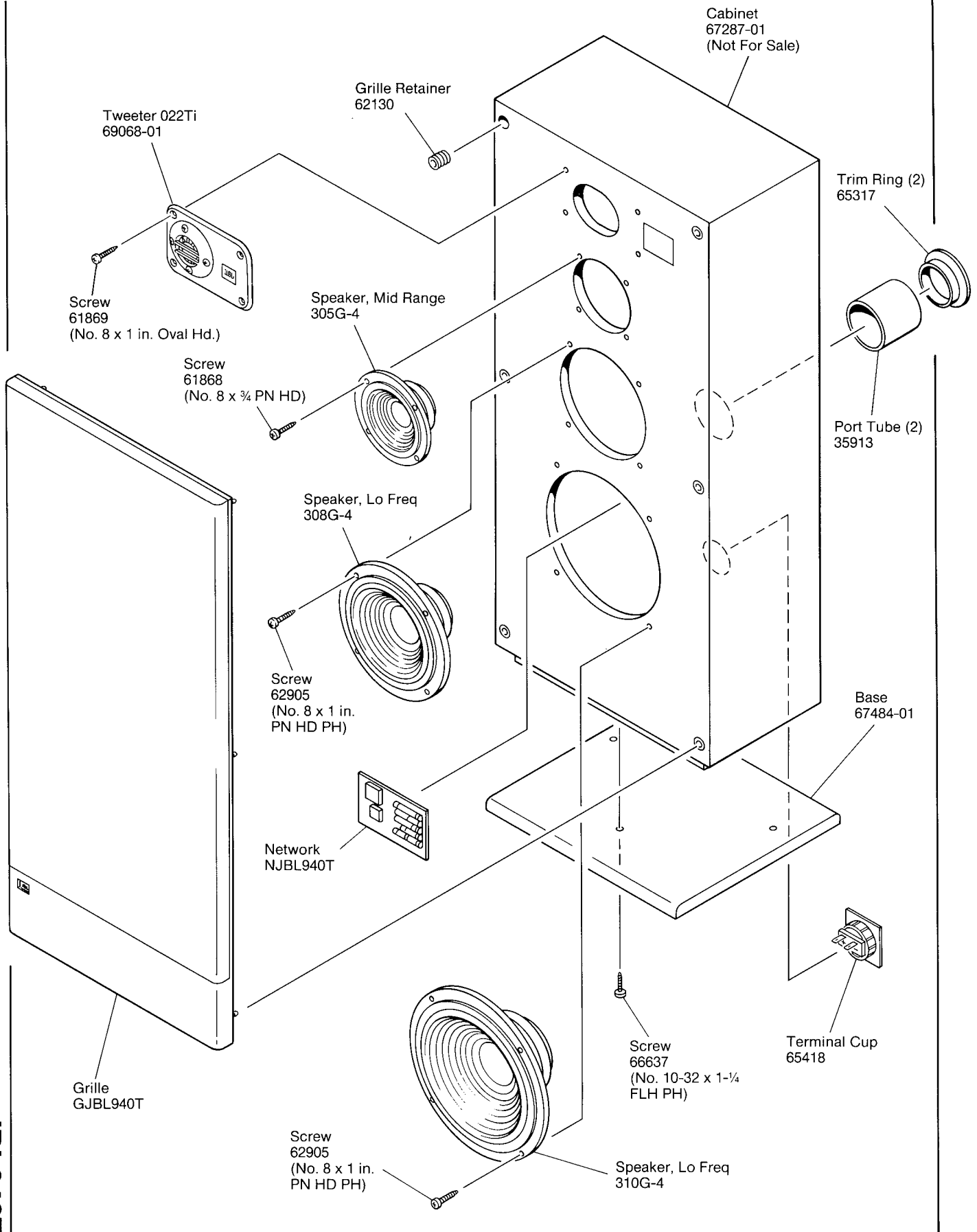
WIRING DIAGRAM



DRIVER	TEST VOLTAGE	SWEEP FREQUENCY	DCR MIN-MAX.
022Ti	2	2KHZ-20KHZ	3.5-4.2 OHMS
305G-4	4	200HZ-1.2KHZ	4.7-5.2 OHMS
308G-4	4	20HZ-1.2KHZ	5.6-6.2 OHMS
310G-4	4	20HZ-1KHZ	4.4-4.8 OHMS

JBL940T

COMPONENT EXPLODED VIEW



JBL940T