

DRIVER	TEST VOLTAGE	SWEEP FREQUENCY	DCR MIN-MAX.
022Ti	2	2KHZ-20KHZ	3.5-4.2 OHMS
308G-4	4	20HZ-1.2KHZ	5.6-6.2 OHMS

Technical Manual



JBL82T

SPECIFICATIONS

ACOUSTIC & ELECTRICAL SPECIFICATIONS:

- Nominal Impedance: 8 ohm
- Power Rating: 10W to 125W
- Frequency Response: 50 Hz to 23 kHz
- Sensitivity: 90 dB SPL*
- Crossover Frequencies: 3 kHz

SYSTEM COMPONENTS:

- Cabinet: CJBL82T
- Grille: GJBL82T
- Low Frequency Transducer: 308G-4 (8.0 in.) 204mm High Polymer

*1 Watt (2.83 V RMS) @ 1 Meter

SYSTEM COMPONENTS: (cont'd)

- High Frequency Transducer: 022Ti (1 in.) 25mm Pure Titanium Diaphragm
- Crossover Network: NJBL82T, 2-Way System

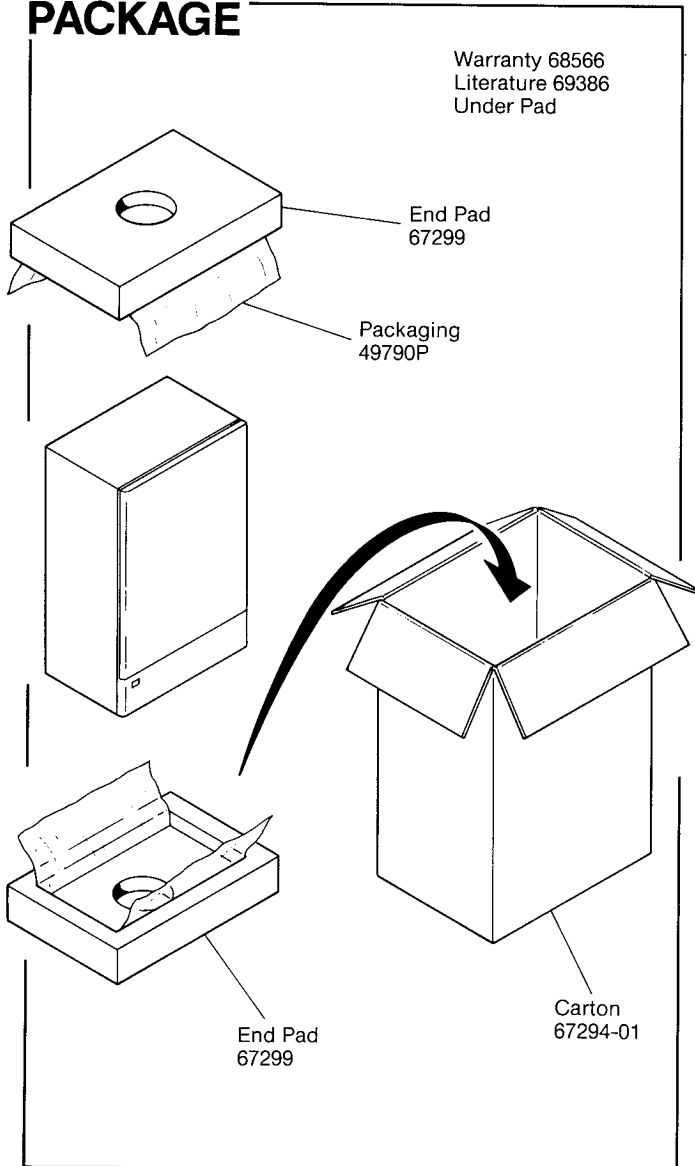
PHYSICAL SPECIFICATIONS:

- Enclosure Dimensions: 559mm x 356mm x 222mm D (22.0 x 14.0 x 8.75 in. D)
- Shipping Weight: 30 lbs.

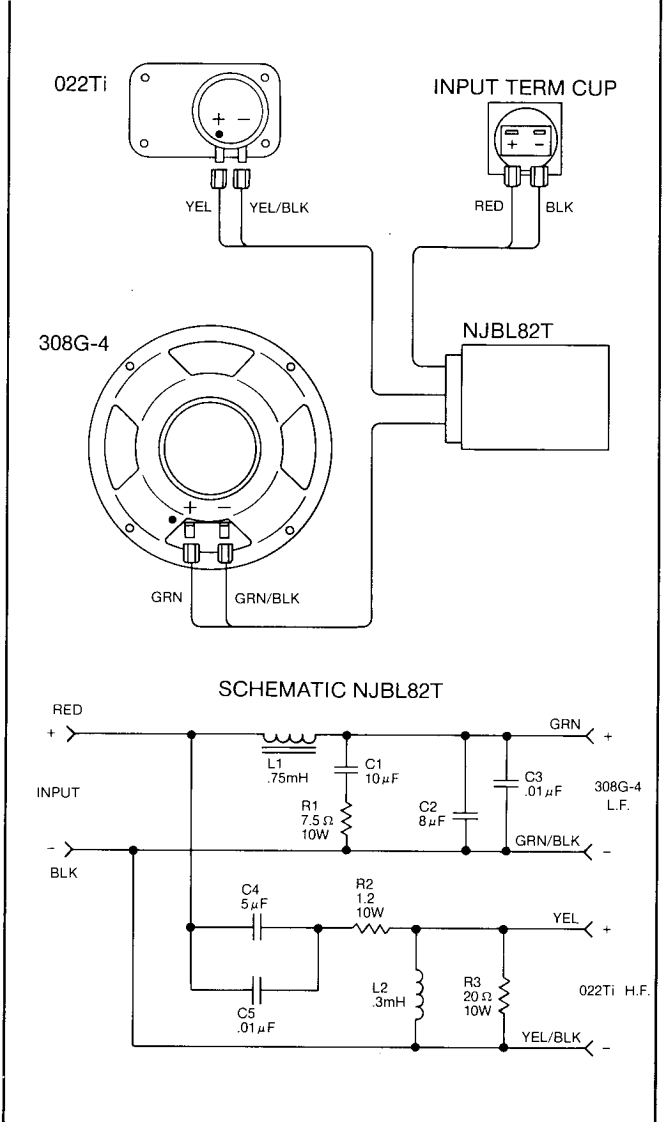
WARRANTY INFORMATION:

- Refer to the Warranty Statement packed with each product.

PACKAGE



WIRING DIAGRAM



JBL82T

COMPONENT EXPLODED VIEW

