



# JBL630T

## SPECIFICATIONS

### ACOUSTIC & ELECTRICAL SPECIFICATIONS:

- Nominal Impedance: 4 ohm
- Power Rating: 10W to 150W
- Frequency Response: 58 Hz to 23 kHz
- Sensitivity: 92 dB SPL\*
- Crossover Frequencies: 200 Hz to 2500 Hz

### SYSTEM COMPONENTS:

- Cabinet: CJBL630T
- Grille: GJBL630T
- Low Frequency Transducer: 306G-4A (6.5 in.) 165mm (2) High Polymer

\*1 Watt (2.83 V RMS) @ 1 Meter

### SYSTEM COMPONENTS: (cont'd)

- High Frequency Transducer: 022Ti (1 in.) 25mm Pure Titanium Diaphragm
- Crossover Network: NJBL630T, 3-Way System

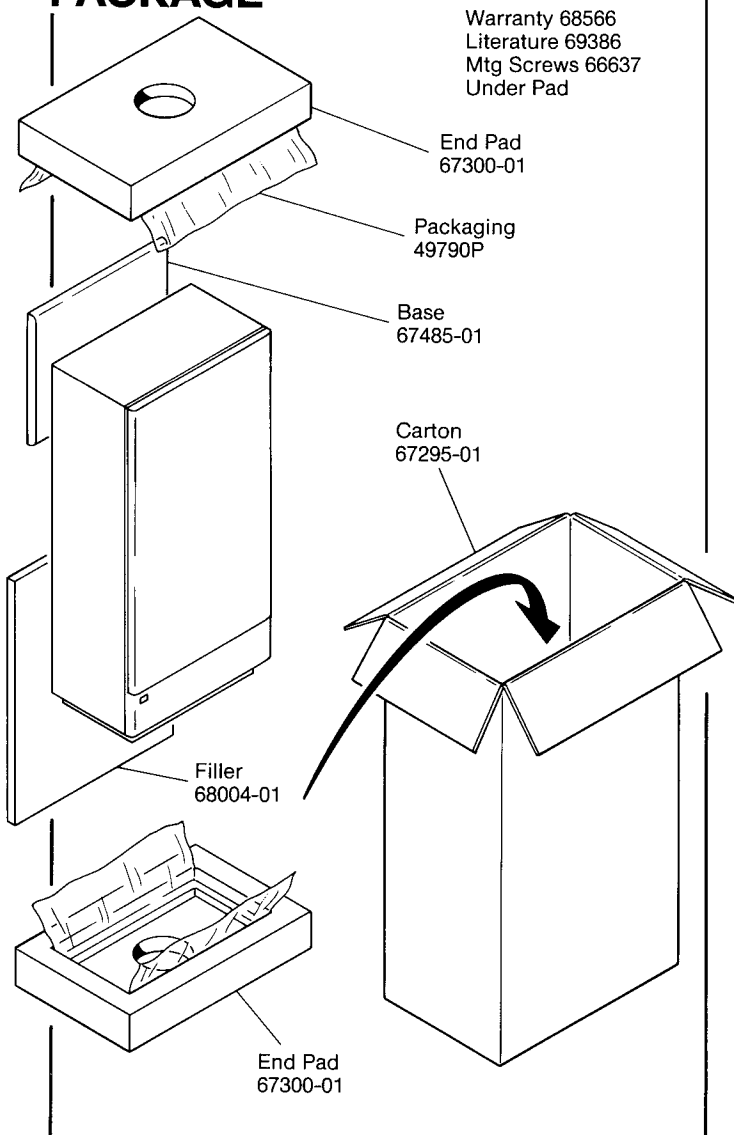
### PHYSICAL SPECIFICATIONS:

- Enclosure Dimensions: 933mm x 381mm x 210mm D (36.75 x 15.0 x 8.25 in. D)
- Shipping Weight: 40 lbs.

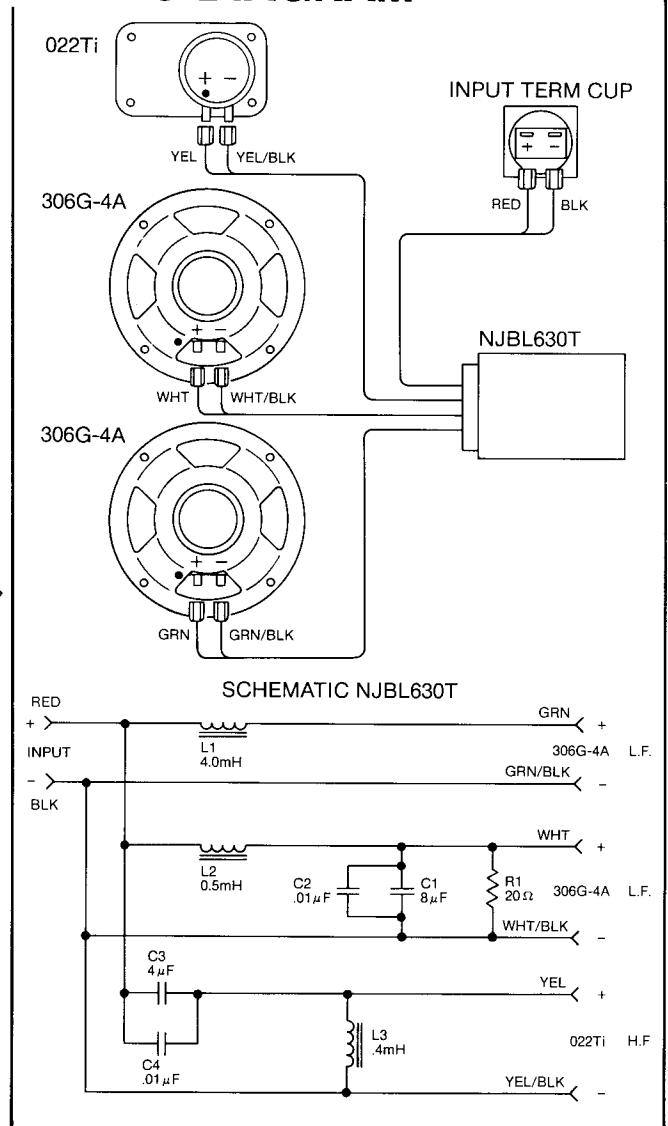
### WARRANTY INFORMATION:

- Refer to the Warranty Statement packed with each product.

## PACKAGE



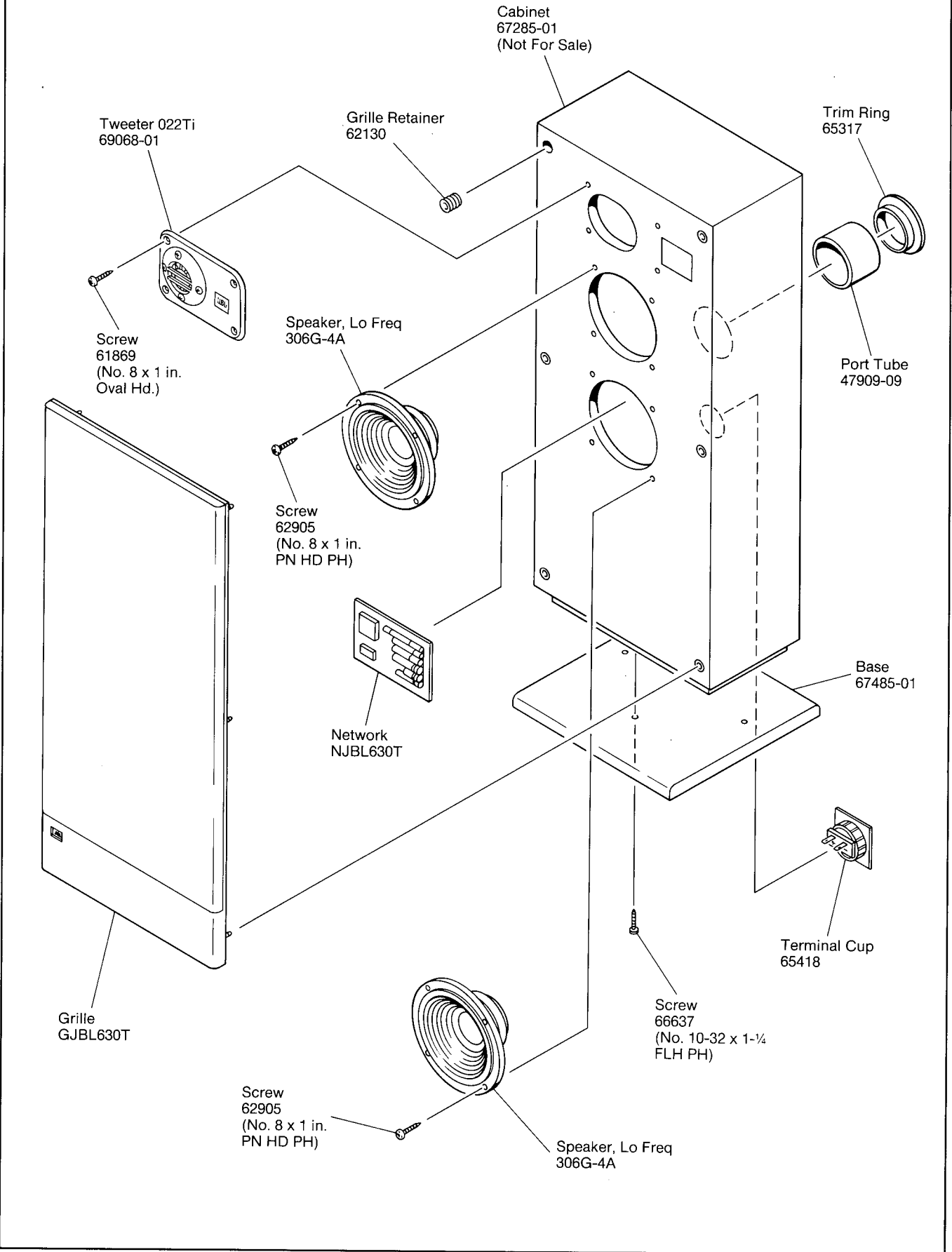
## WIRING DIAGRAM



| DRIVER  | TEST VOLTAGE | SWEEP FREQUENCY | DCR MIN-MAX. |
|---------|--------------|-----------------|--------------|
| 022Ti   | 2            | 2KHZ-20KHZ      | 3.5-4.2 OHMS |
| 306G-4A | 4            | 200HZ-1.2KHZ    | 5.5-6.1OHMS  |

# JBL630T

## COMPONENT EXPLODED VIEW



JBL630T