

DRIVER	TEST VOLTAGE	SWEEP FREQUENCY	DCR MIN-MAX.
TLX-2	2.83	2KHZ-20KHZ	5.3-6.2 OHMS
306G-4	4	200HZ-1.2KHZ	5.2-6.4 OHMS

# Technical Manual

# JBL630



## SPECIFICATIONS

### ACOUSTIC & ELECTRICAL SPECIFICATIONS:

- Rated Impedance: 4 ohm
- Power Range: 10-150 Watts
- Frequency Response: 45 Hz to 20 kHz
- Sensitivity: 93 dB\*
- Crossover Frequencies: 200 Hz, 2500 Hz

### SYSTEM COMPONENTS:

- Cabinet: CJBL630
- Grille: GJBL630
- Low Frequency: Two 6½" High Polymer Laminate Transducers

### SYSTEM COMPONENTS: (cont'd)

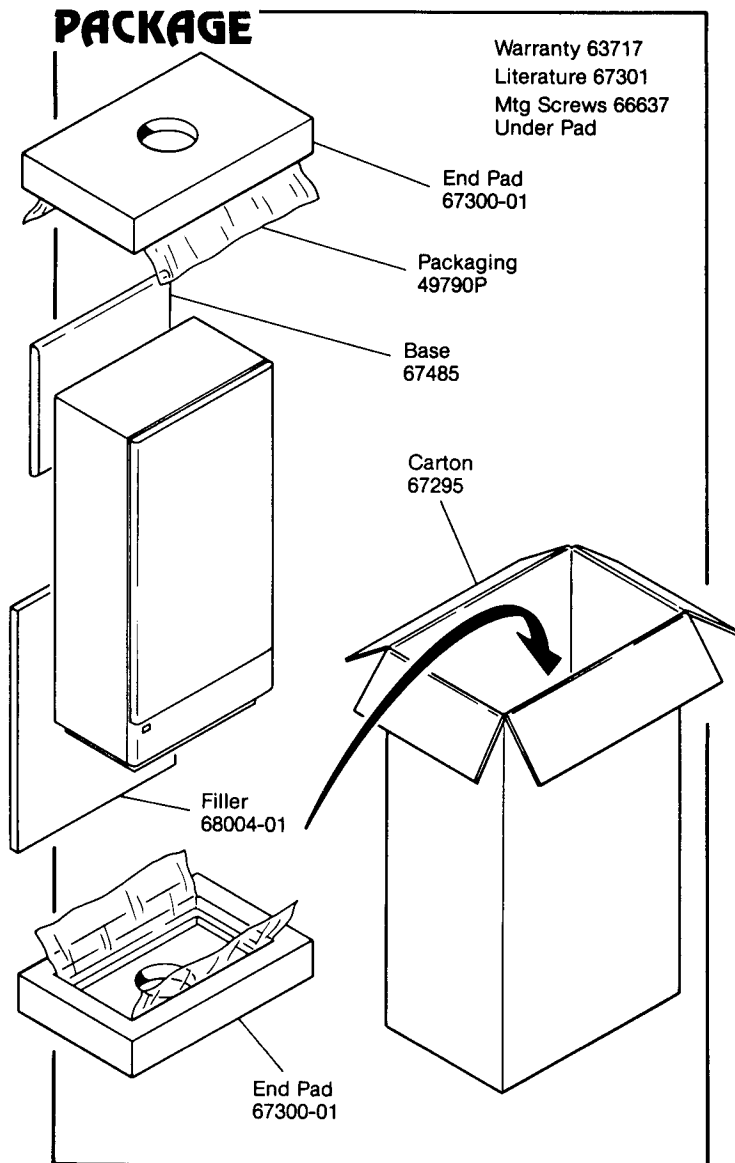
- High Frequency: 1" Transducer with Titanium Laminate Diaphragm
- Crossover Network: NJBL630, 3-Way System

### PHYSICAL SPECIFICATIONS:

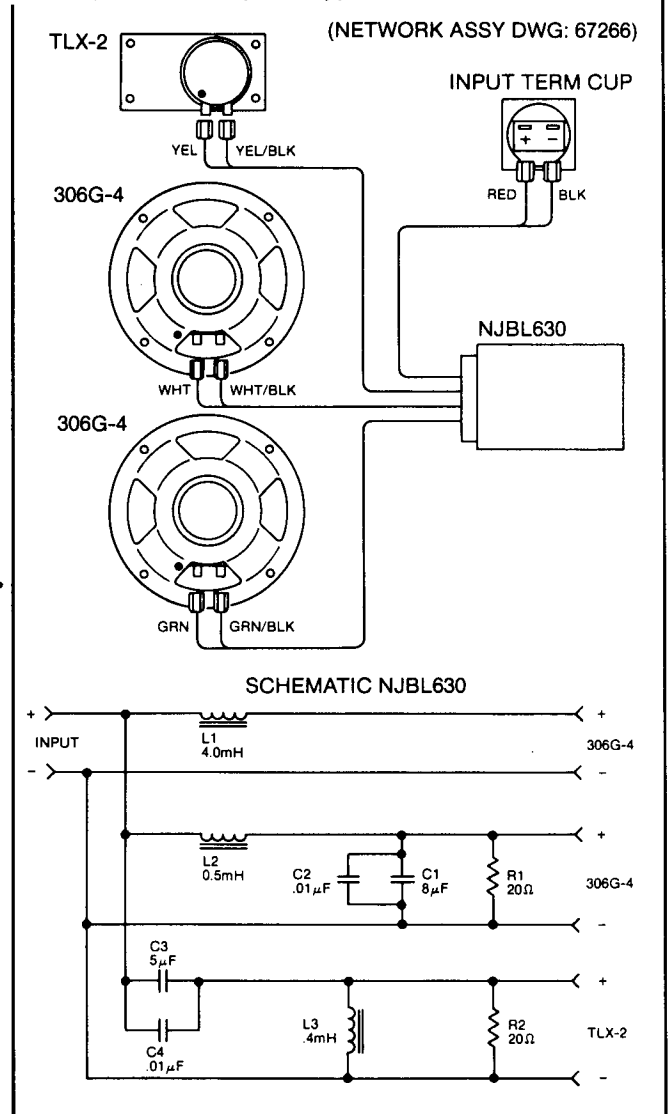
- Enclosure Dimensions: 34.0 x 15.0 x 7.5 D (inch)
- Shipping Weight: 40 lbs.

\*1 Meter @ 2.83 VRMS

## PACKAGE



## WIRING DIAGRAM



# JBL630

## COMPONENT EXPLODED VIEW

