

Technical Manual



JBL4785 DUAL 380 MM (15") TRIPLE CHAMBER BAND-PASS™ SUB-BASS SYSTEM

SPECIFICATIONS

ACOUSTIC & ELECTRICAL SPECIFICATIONS:

- Nominal Impedance: 4 ohm
- Power Rating: Continuous Program: 800W
- Frequency Response: 30 Hz to 150 Hz (± 3 dB)
- Sensitivity: 104 dB SPL*
- Crossover Frequencies: 80 Hz to 100 Hz, 20 Hz Low Cut

SYSTEM COMPONENTS:

- Cabinet: C4785
- Grille: G4785

*1 Watt (2.83 V RMS) @ 1 Meter

SYSTEM COMPONENTS: (cont'd)

- Low Frequency Transducer: 380mm (15 in.) Cone Transducer (2225H) (2)
- Crossover Network: JBL/UREI 5235 Active Crossover

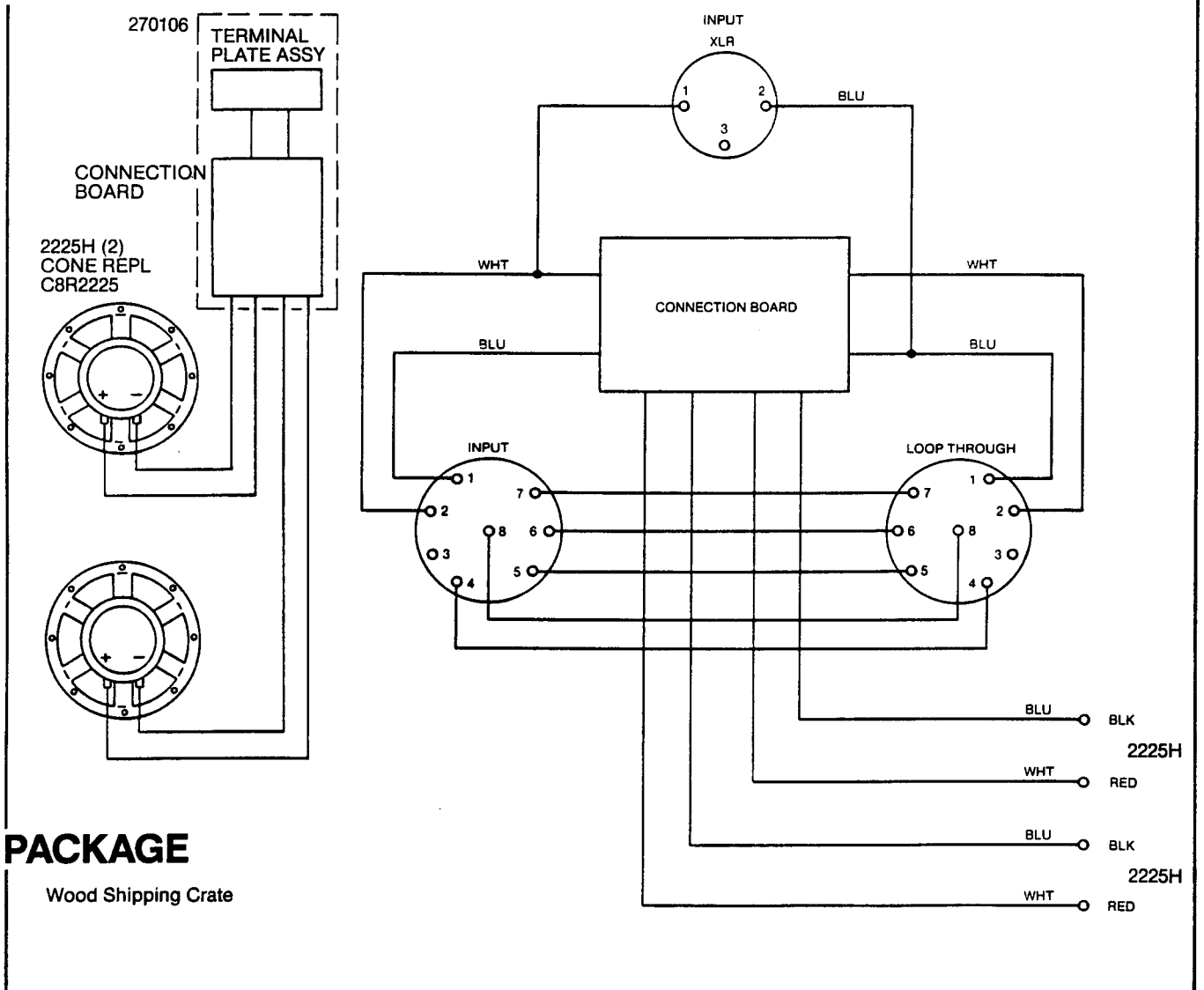
PHYSICAL SPECIFICATIONS:

- Enclosure Dimensions: 750mm x 1240mm x 550mm D (29.5 x 47.25 x 21.62 in. D)
- Shipping Weight: 172 lbs. (76 kg)

WARRANTY INFORMATION:

- Refer to the Warranty Statement packed with each product.

WIRING DIAGRAM

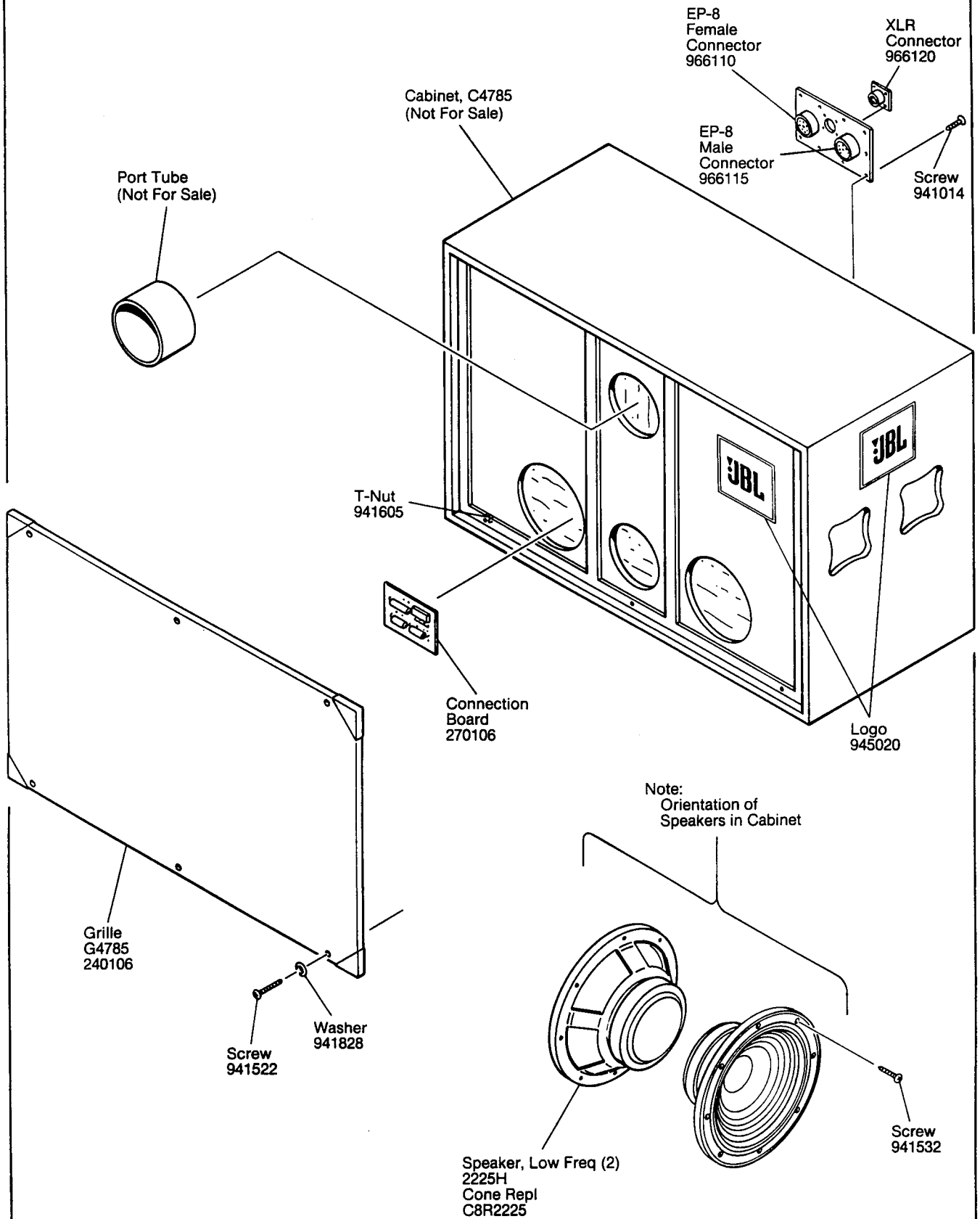


PACKAGE

Wood Shipping Crate

JBL4785

COMPONENT EXPLODED VIEW



JBL4785