

Technical Manual



JBL4770A HIGH POWER TWO-WAY FULL-RANGE SYSTEM

SPECIFICATIONS

ACOUSTIC & ELECTRICAL SPECIFICATIONS:

- Nominal Impedance: 4 ohm L.F., 16 ohm H.F.
- Power Rating: AES Pink Noise: 1200W L.F.
Continuous Program: 150W H.F.
- Frequency Response: 40 Hz to 17 kHz ($\pm 3\text{dB}$)
- Sensitivity: 100 dB L.F., 112 dB H.F. SPL*
- Crossover Frequencies: 800 Hz, 7 kHz, 40 Hz

SYSTEM COMPONENTS: (cont'd)

- High Frequency Transducer: 100mm (4 in.) Pure Titanium Diaphragm Compression Driver (2445J)
- Crossover Network: JBL/UREI 5235 Active Crossover 53-5334 Crossover Card

SYSTEM COMPONENTS:

- Cabinet: C4770
- Grille: G4770
- Low Frequency Transducer: 380mm (15 in.) Cone Transducer (2226H) (2)

PHYSICAL SPECIFICATIONS:

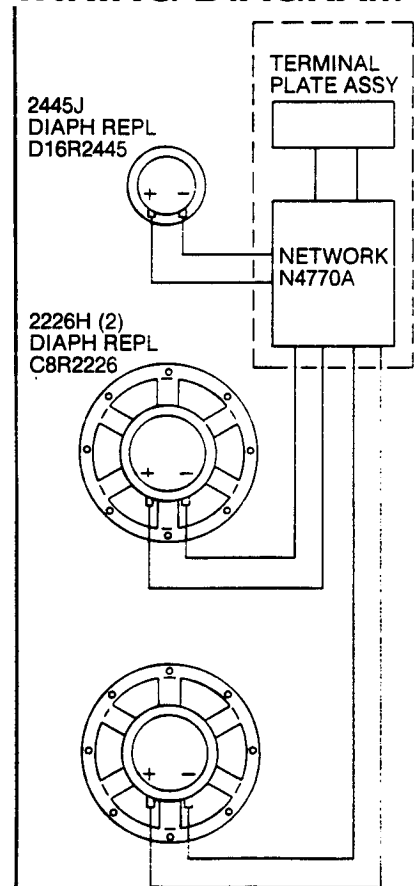
- Enclosure Dimensions: 1250mm x 750mm x 533mm D (49.18 x 29.5 x 23.0 in. D)
- Shipping Weight: 242 lbs. (110 kg)

WARRANTY INFORMATION:

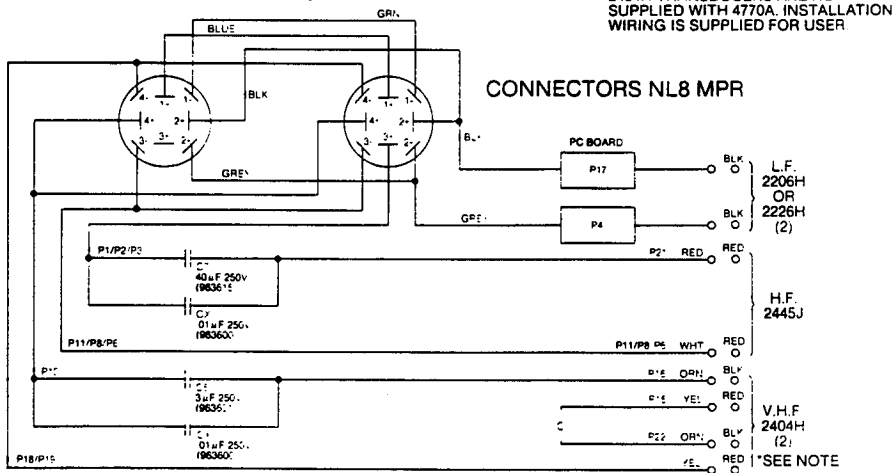
- Refer to the Warranty Statement packed with each product.

*1 Watt (2.83 V RMS) @ 1 Meter

WIRING DIAGRAM

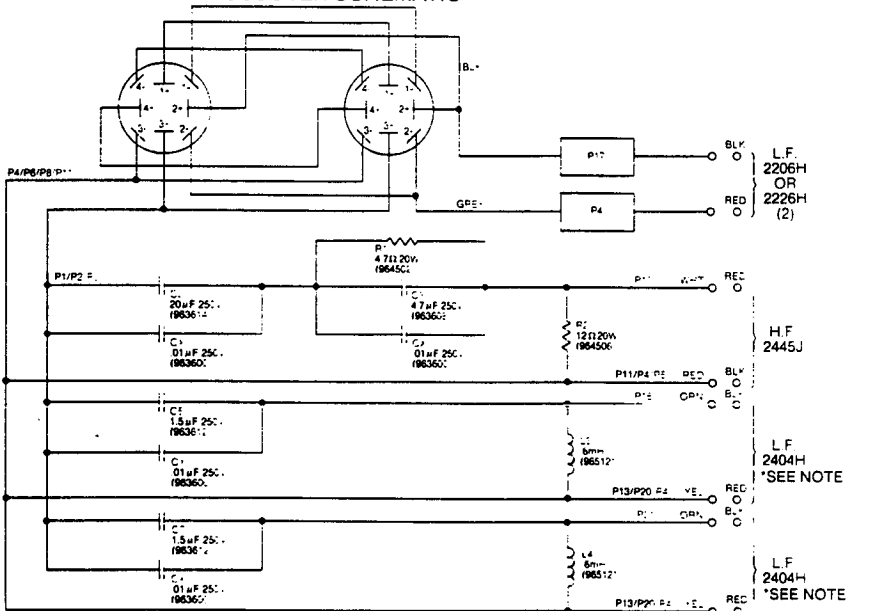


N4770A BYPASS SCHEMATIC



*2404H TRANSDUCERS ARE NOT SUPPLIED WITH 4770A. INSTALLATION WIRING IS SUPPLIED FOR USER

N4770A PASSIVE CROSSOVER SCHEMATIC



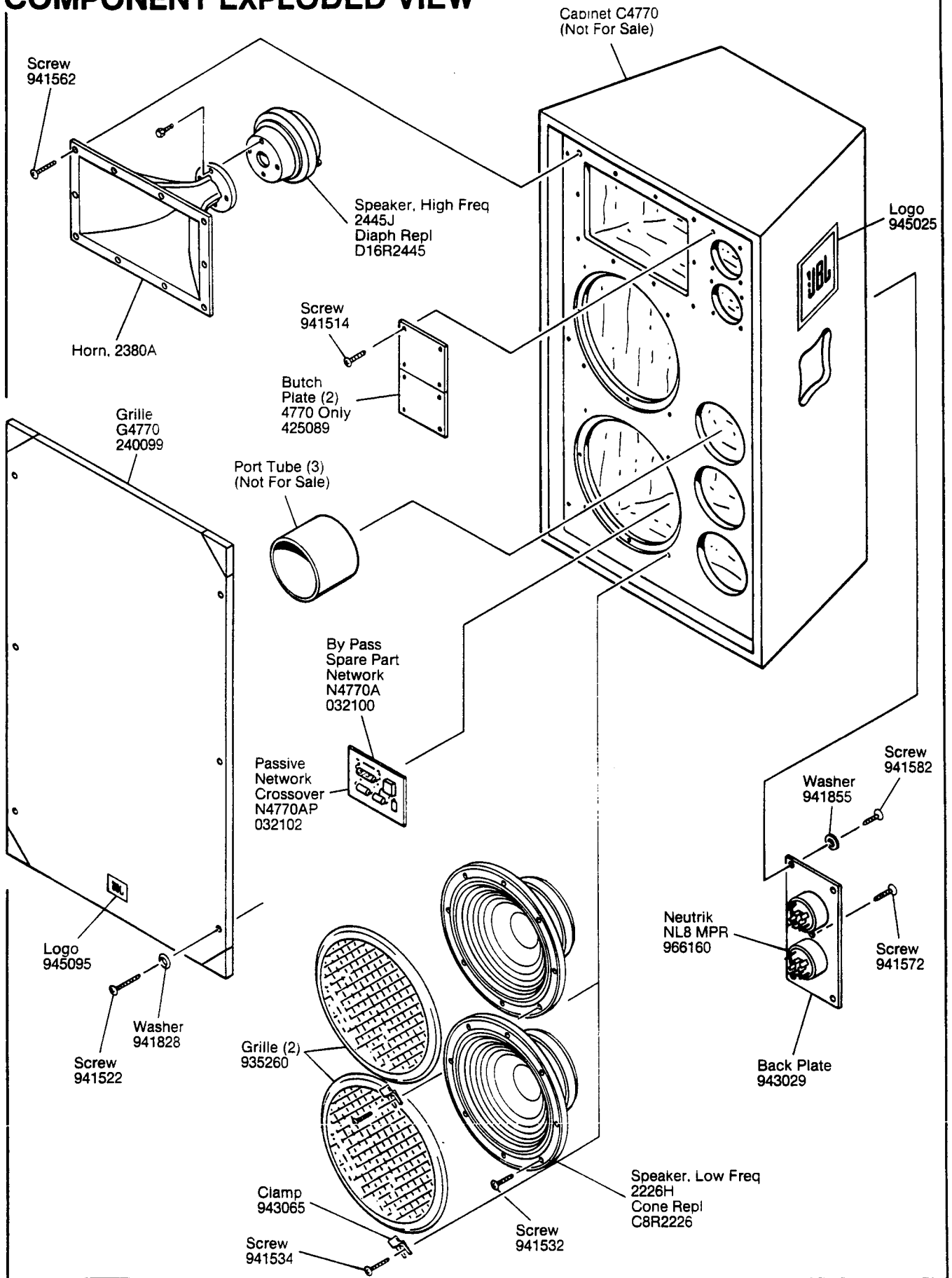
PACKAGE

Wood Shipping Crate

JBL4770A REV B

JBL4770A

COMPONENT EXPLODED VIEW



JBL4770A