

Technical Manual



JBL4770 HIGH POWER TWO-WAY FULL-RANGE SYSTEM

SPECIFICATIONS

ACOUSTIC & ELECTRICAL SPECIFICATIONS:

- Nominal Impedance: 4 ohm L.F., 16 ohm H.F.
- Power Rating: Continuous Program: 800W L.F.
Continuous Program: 150W H.F.
- Frequency Response: 40 Hz to 16 kHz (± 3 dB)
- Sensitivity: 100 dB L.F., 112 dB H.F. SPL*
- Crossover Frequencies: 800 Hz, 7 kHz, 40 Hz

SYSTEM COMPONENTS:

- Cabinet: C4770
- Grille: G4770
- Low Frequency Transducer: 380mm (15 in.) Cone Transducer (2225H) (2)

*1 Watt (2.83 V RMS) @ 1 Meter

SYSTEM COMPONENTS: (cont'd)

- High Frequency Transducer: 100mm (4 in.) Pure Titanium Diaphragm Compression Driver (2245J)
- Crossover Network: N4770

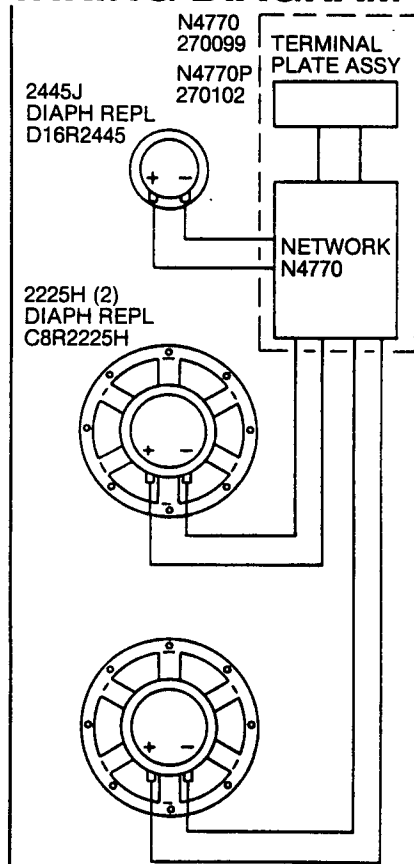
PHYSICAL SPECIFICATIONS:

- Enclosure Dimensions: 1250mm x 750mm x 533mm D (49.18 x 29.5 x 23.0 in. D)
- Shipping Weight: 242 lbs. (110 kg)

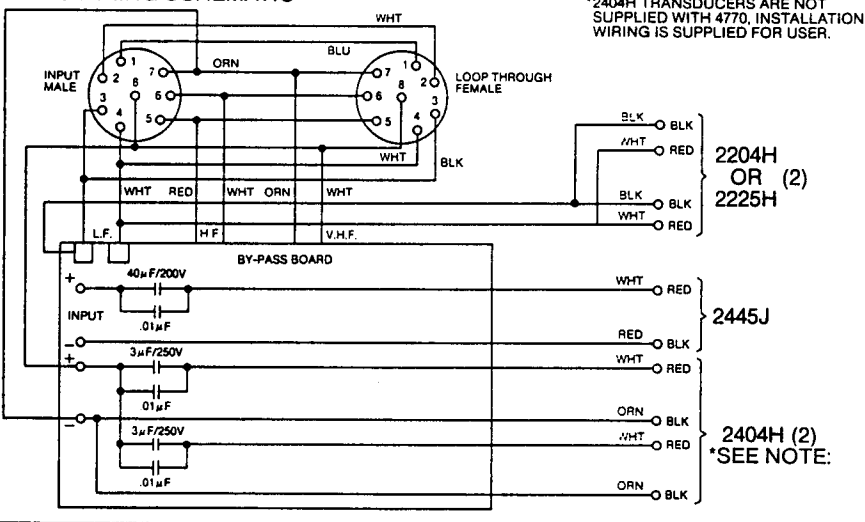
WARRANTY INFORMATION:

- Refer to the Warranty Statement packed with each product.

WIRING DIAGRAM

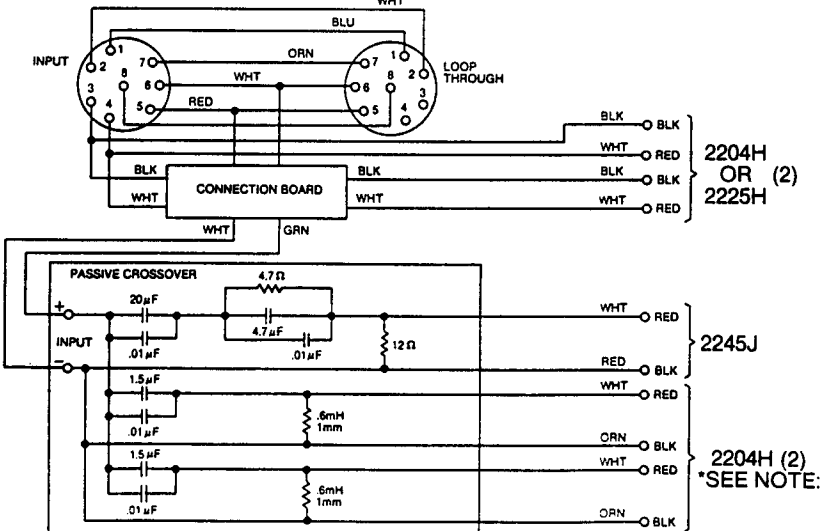


N4770 WIRING SCHEMATIC



*2404H TRANSducers ARE NOT SUPPLIED WITH 4770. INSTALLATION WIRING IS SUPPLIED FOR USER.

N4770P WIRING SCHEMATIC

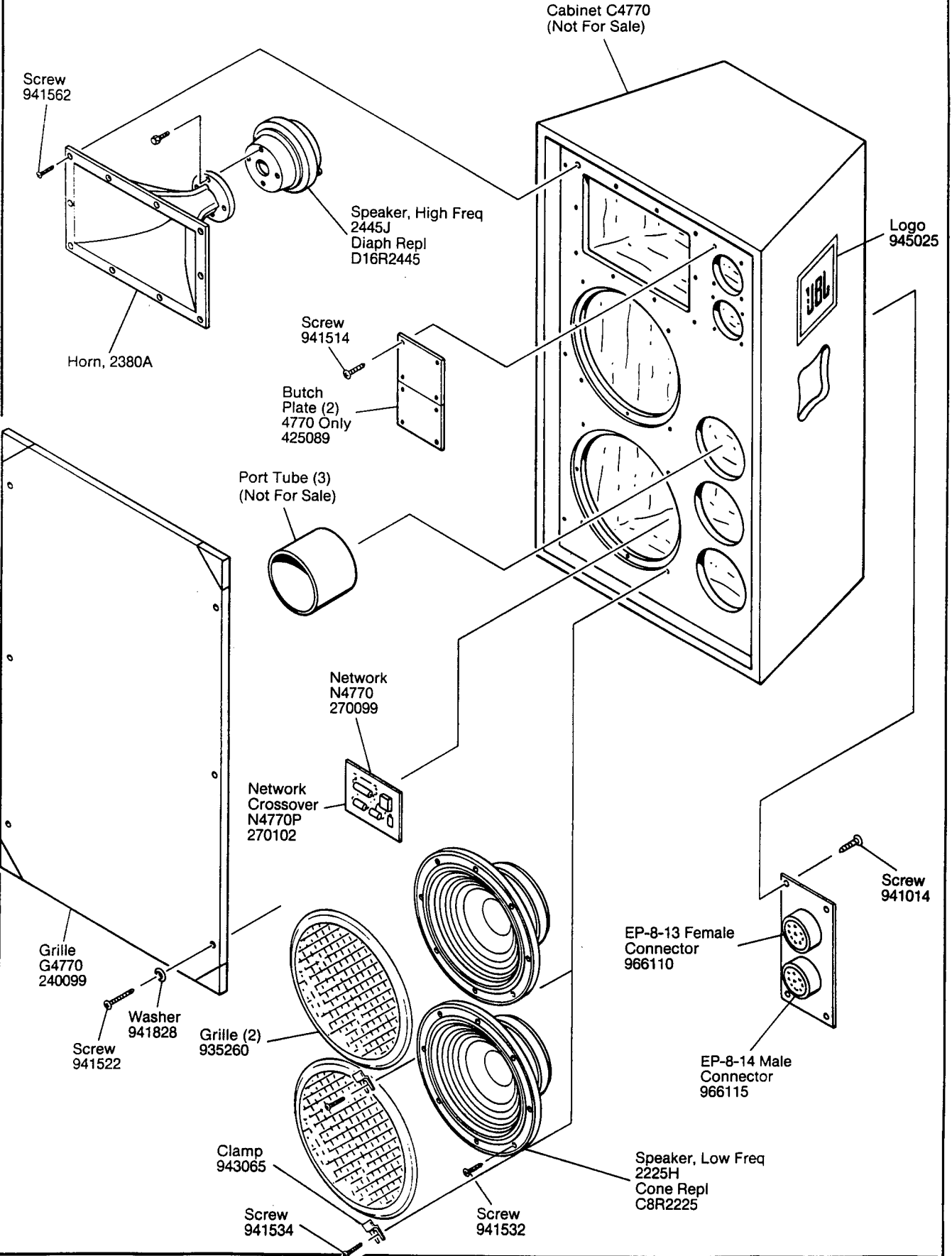


PACKAGE

Wood Shipping Crate

JBL4770

COMPONENT EXPLODED VIEW



JBL4770