

Technical Manual



JBL4755A HIGH POWER TWO-WAY FULL-RANGE SYSTEM

SPECIFICATIONS

ACOUSTIC & ELECTRICAL SPECIFICATIONS:

- Nominal Impedance: 4 ohm L.F., 16 ohm H.F.
- Power Rating: AES Pink Noise: 1200W L.F.
Continuous Program: 150W H.F.
- Frequency Response: 42 Hz to 17 kHz (± 3 dB)
- Sensitivity: 98 dB L.F., 112 dB H.F. SPL*
- Crossover Frequencies: 800 Hz to 1200 Hz, 7 kHz, 40 Hz Low Cut

SYSTEM COMPONENTS:

- Cabinet: C4755
- Grille: G4755
- Low Frequency Transducer: 300mm (12 in.) Cone Transducer (2206H) (2)

*1 Watt (2.83 V RMS) @ 1 Meter

SYSTEM COMPONENTS: (cont'd)

- High Frequency Transducer: 100mm (4 in.) Pure Titanium Diaphragm Compression Driver (2445J)
- Crossover Network: JBL/UREI 5235 Active Crossover 53-5334 Crossover Card

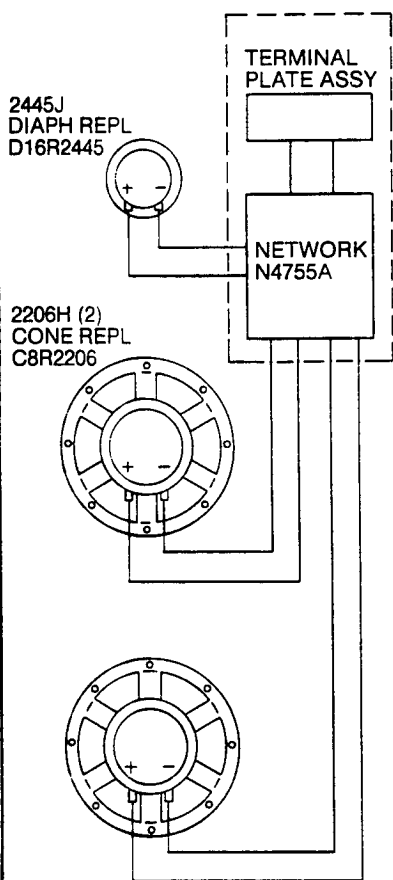
PHYSICAL SPECIFICATIONS:

- Enclosure Dimensions: 680mm x 850mm x 530mm D (26.75 x 33.5 x 20.87 in. D)
- Shipping Weight: 132 lbs. (60 kg)

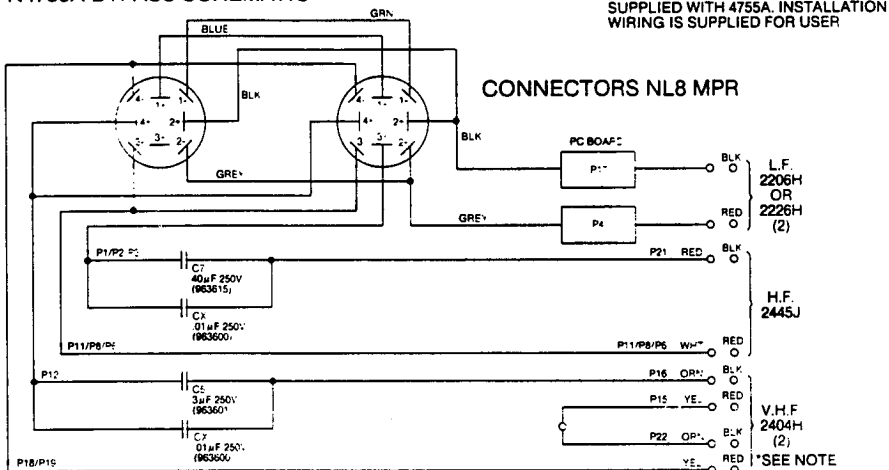
WARRANTY INFORMATION:

- Refer to the Warranty Statement packed with each product.

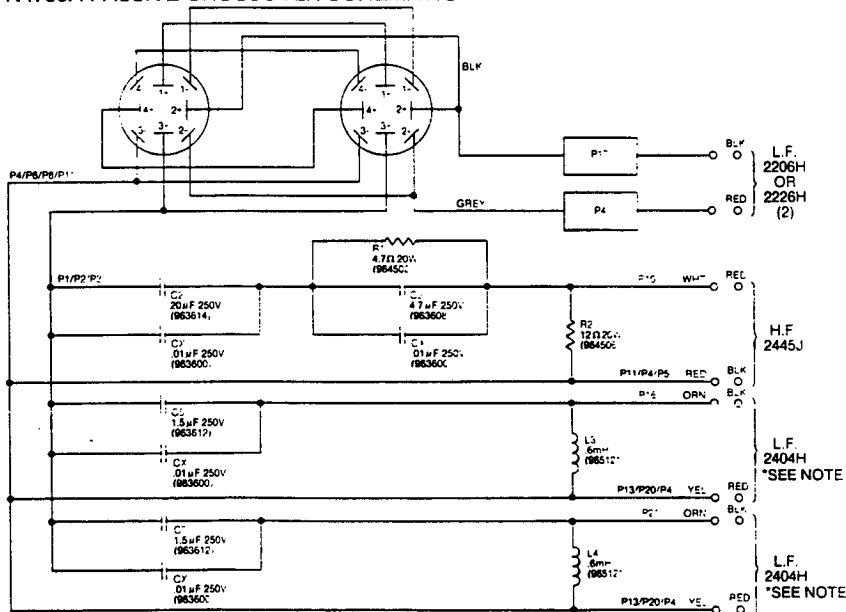
WIRING DIAGRAM



N4755A BYPASS SCHEMATIC



N4755A PASSIVE CROSSOVER SCHEMATIC



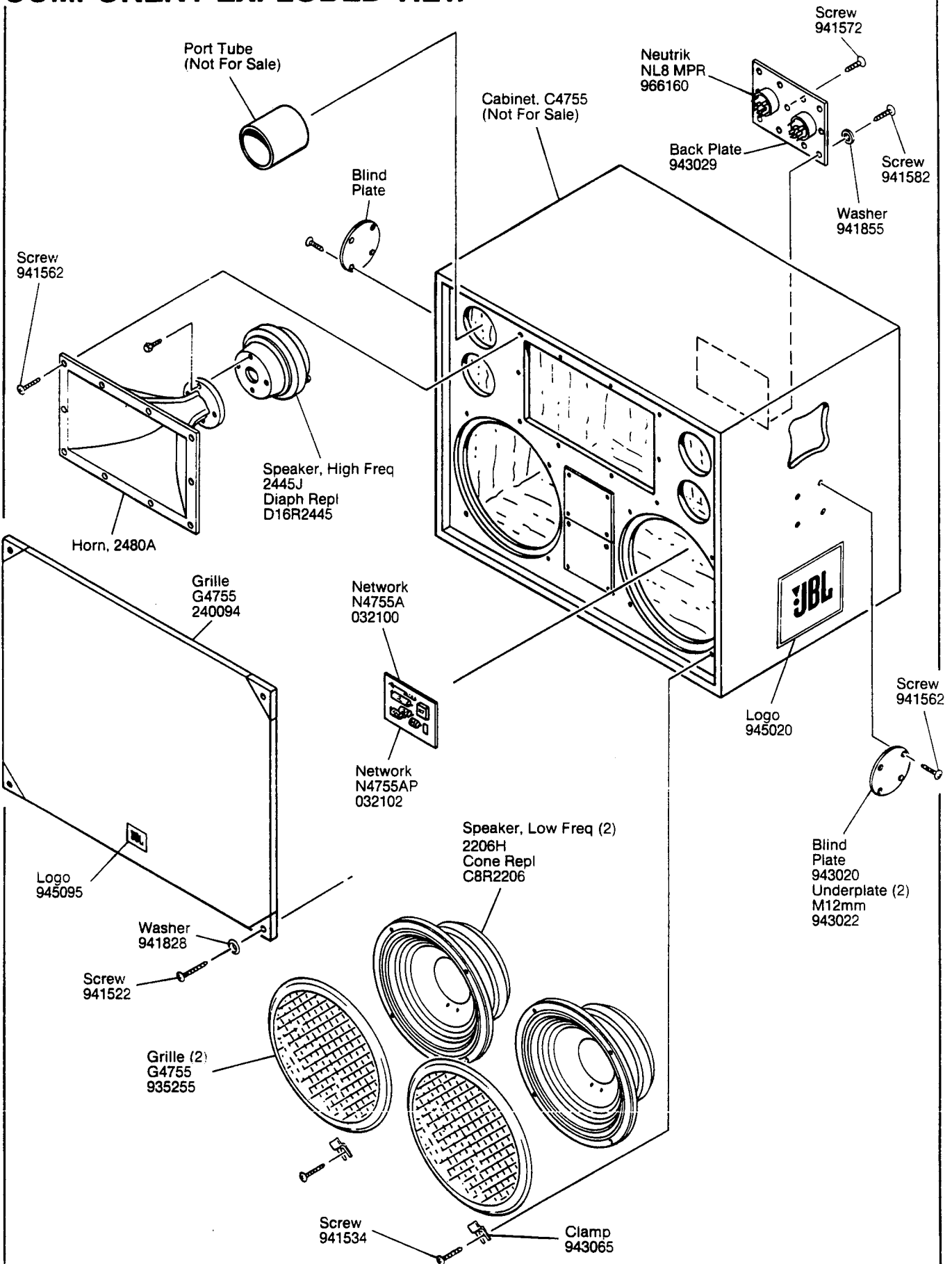
PACKAGE

Wood Shipping Crate

JBL4755A REV B

JBL4755A

COMPONENT EXPLODED VIEW



JBL4755A