

Technical Manual

JBL4730A HIGH POWER 3-WAY DIRECT RADIATOR SOUND REINFORCEMENT/PLAYBACK SYSTEM



SPECIFICATIONS

ACOUSTIC & ELECTRICAL SPECIFICATIONS:

- Nominal Impedance: 8 ohm
- Power Rating: 300W IEC
- Frequency Response: 60 Hz to 20 kHz (± 3 dB)
- Sensitivity: 97 dB SPL*
- Crossover Frequencies: 850 Hz, 3.5 kHz

SYSTEM COMPONENTS:

- Cabinet: C4730A
- Grille: G4730A
- Low Frequency Transducer: 380mm (15 in.) Paper Cone Transducer (2226H)

*1 Watt (2.83 V RMS) @ 1 Meter

SYSTEM COMPONENTS: (cont'd)

- Mid Frequency Transducer: 200mm (8 in.) Cone Transducer (2118H)
- High Frequency Transducer: 44mm (1.75 in.) Aluminum Diaphragm Compression Driver (2404H)
- Crossover Network: N4730A

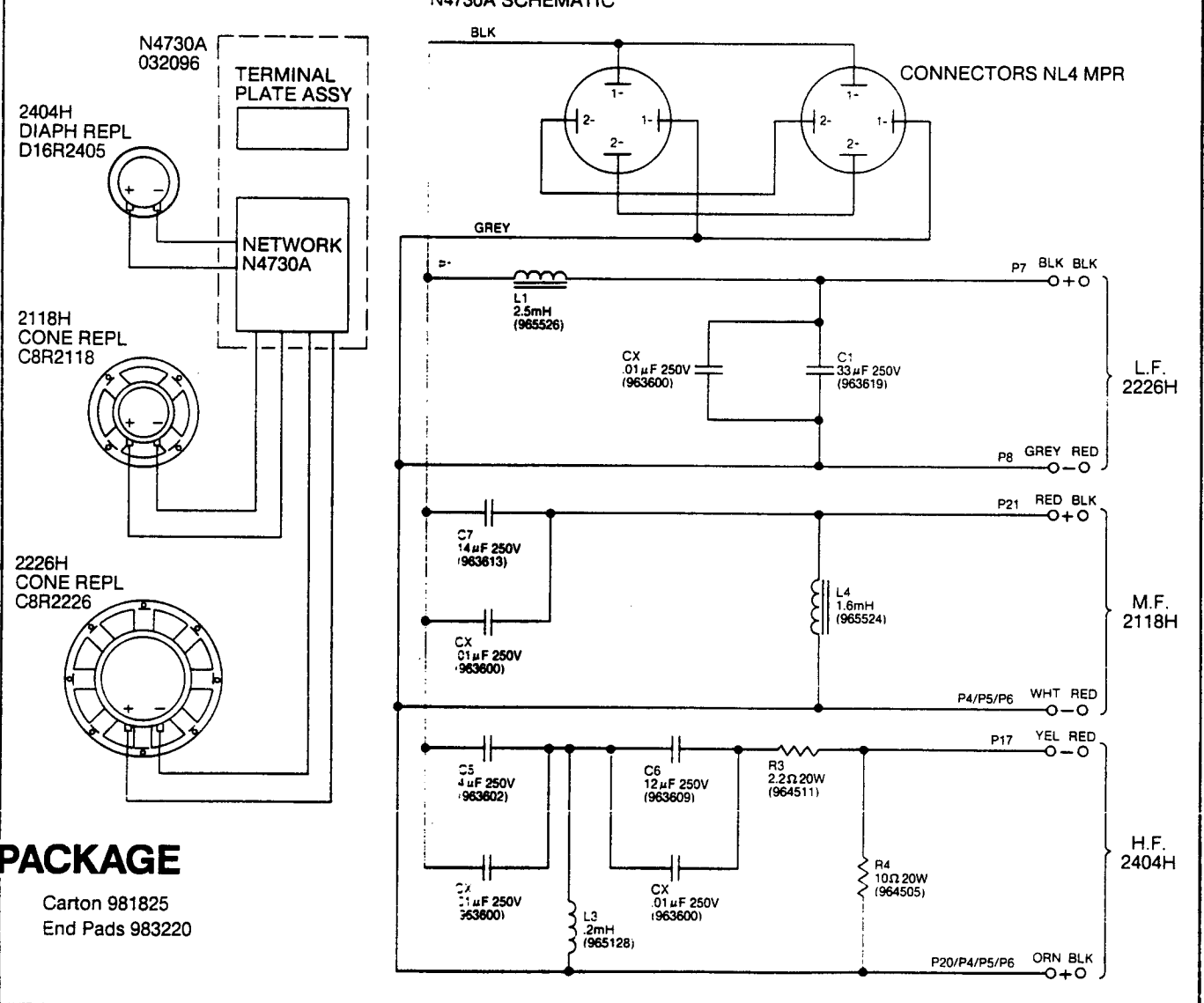
PHYSICAL SPECIFICATIONS:

- Enclosure Dimensions: 850mm x 565mm x 440mm D (33.46 x 22.24 x 17.31 in. D)
- Shipping Weight: 99 lbs. (45 kg)

WARRANTY INFORMATION:

- Refer to the Warranty Statement packed with each product.

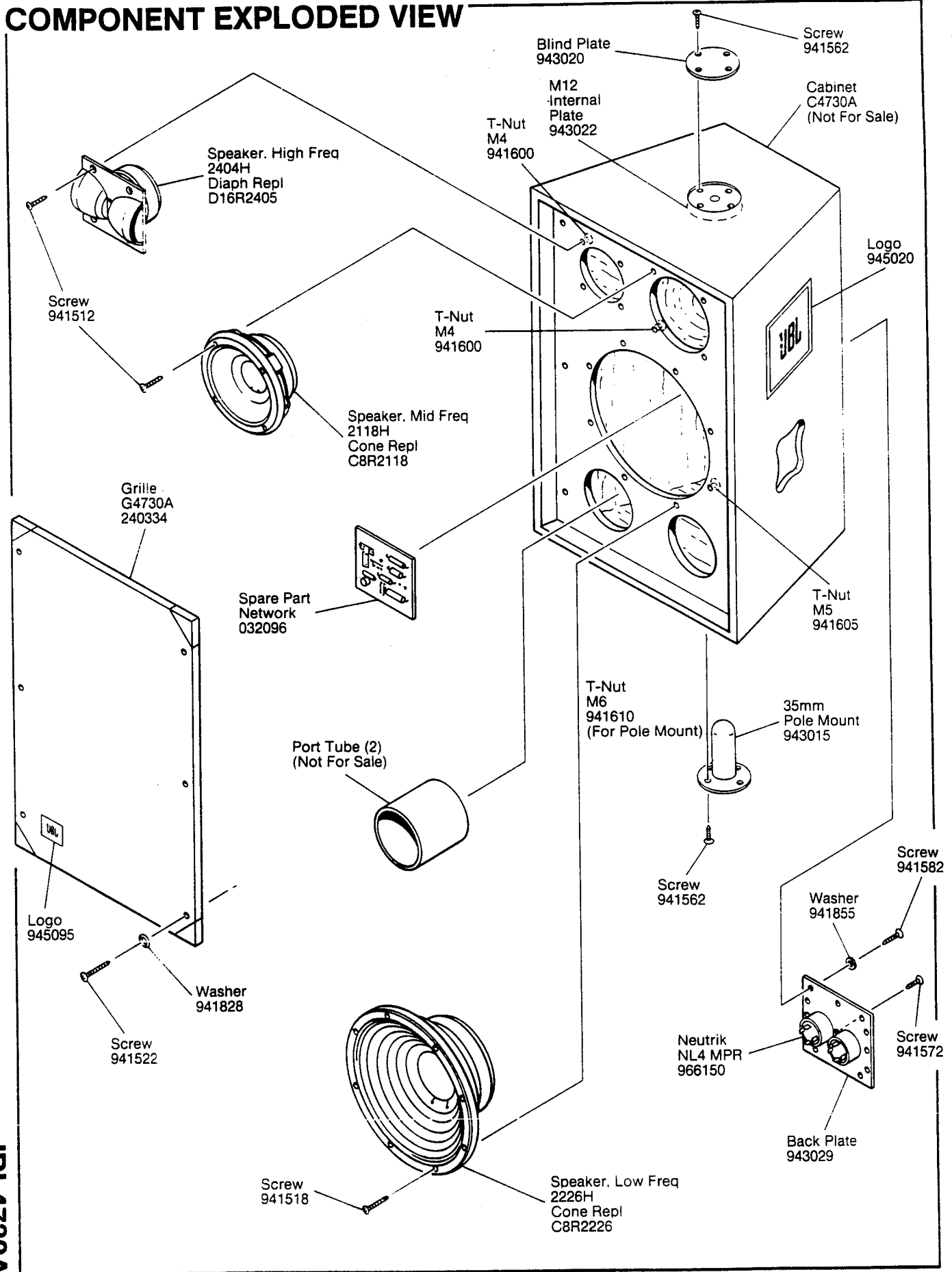
WIRING DIAGRAM



JBL4730A REV B

JBL4730A

COMPONENT EXPLODED VIEW



JBL4730A