

# Technical Manual

# JBL4726A COMPACT BI-RADIAL™ SPEAKER SYSTEM



## SPECIFICATIONS

### ACOUSTIC & ELECTRICAL SPECIFICATIONS:

- Nominal Impedance: 8 ohm L.F., 16 ohm H.F.
- Power Rating: H.F. 75W Continuous Program  
L.F. 600W AES Pink Noise
- Frequency Response: 70 Hz to 16 kHz
- Sensitivity: 97 dB L.F., 109 dB H.F. SPL\*
- Crossover Frequencies: 1200 Hz, 40 Hz

### SYSTEM COMPONENTS:

- Cabinet: C4726A
- Grille: TBA
- Low Frequency Transducer: 300mm (12 in.) Cone Transducer (2206H)

\*1 Watt (2.83 V RMS) @ 1 Meter

### SYSTEM COMPONENTS: (cont'd)

- High Frequency Transducer: 25mm (1 in.) Pure Titanium Diaphragm Compression Driver (2426J)
- Crossover Network: N4726A - N4726AP

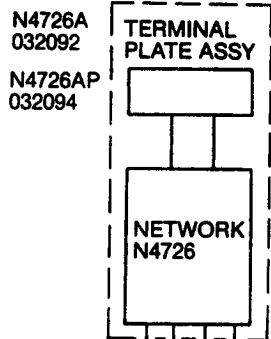
### PHYSICAL SPECIFICATIONS:

- Enclosure Dimensions: 646mm x 362mm x 356mm D (25.37 x 14.25 x 14.0 in. D)
- Shipping Weight: 48 lbs. (22 kg)

### WARRANTY INFORMATION:

- Refer to the Warranty Statement packed with each product.

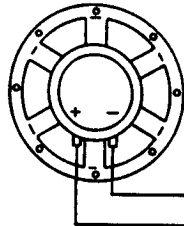
## WIRING DIAGRAM



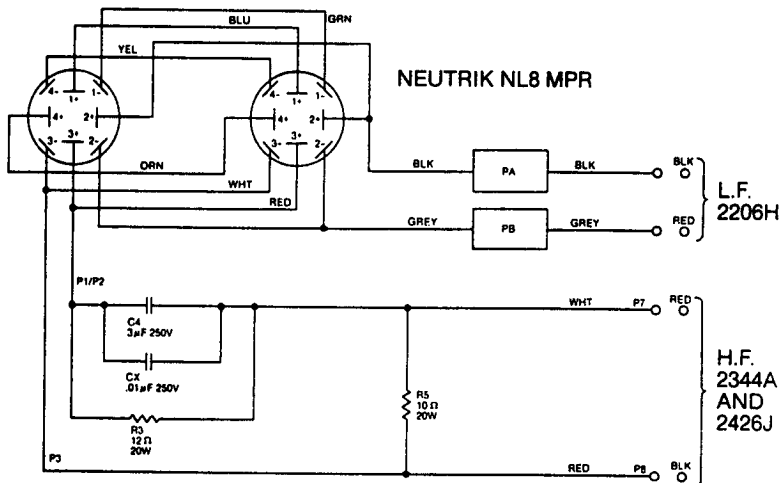
2426J  
DIAPH REPL  
D16R2425



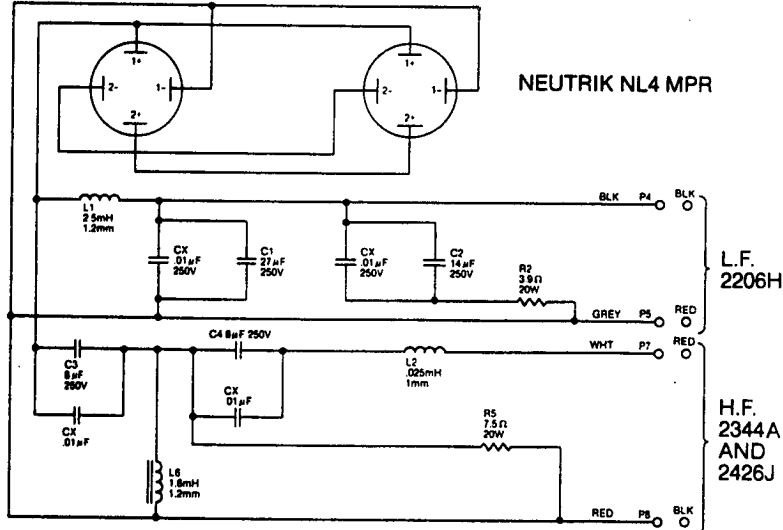
2206H  
CONE REPL  
C8R2206



N4726A WIRING SCHEMATIC



4726AP WIRING SCHEMATIC, PASSIVE CROSSOVER



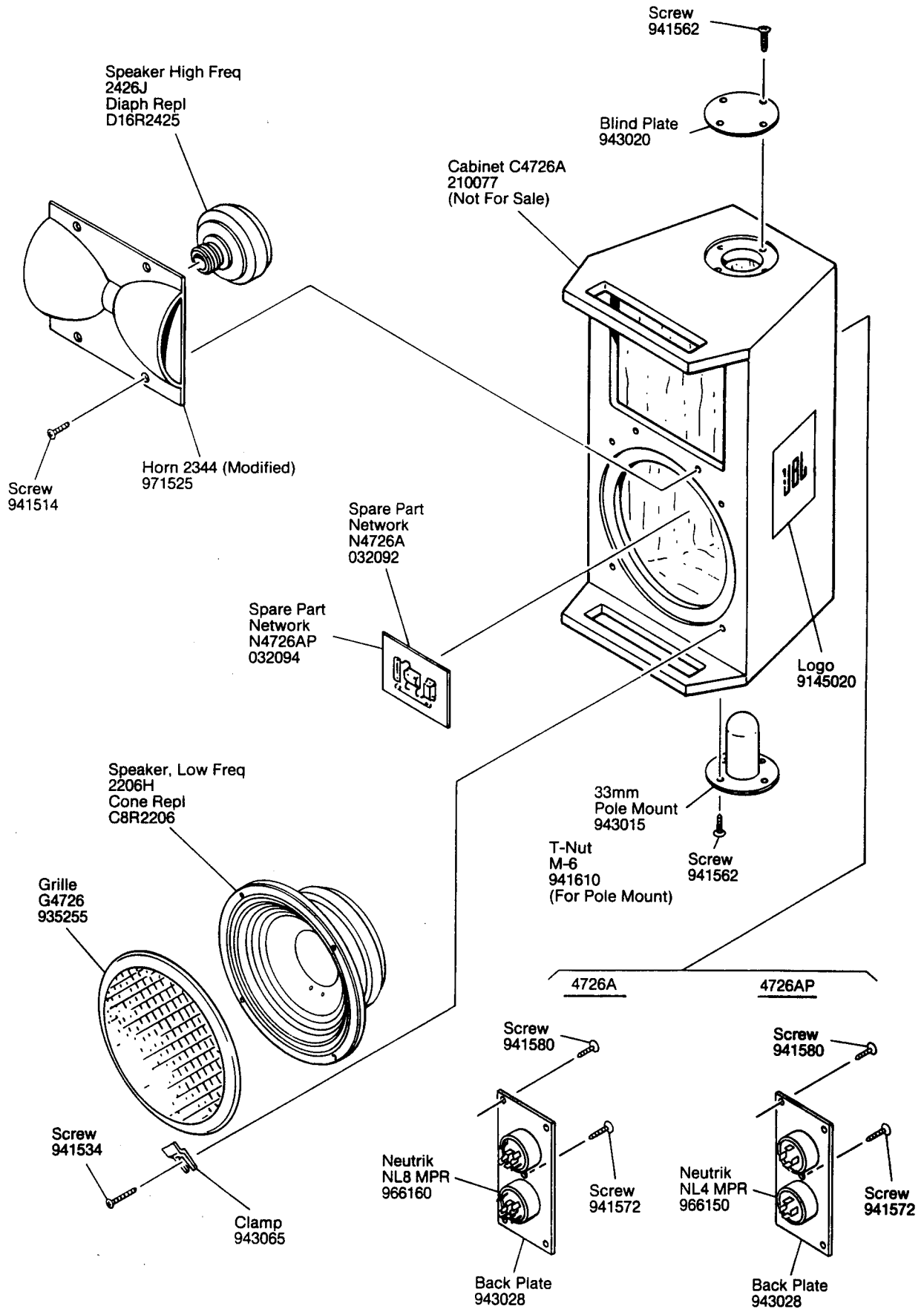
## PACKAGE

Carton 981815  
End Pads 983210

JBL4726A REV A

# JBL4726A

## COMPONENT EXPLODED VIEW



JBL4726A