

Technical Manual



JBL4726 COMPACT BI-RADIAL™ SPEAKER SYSTEM

SPECIFICATIONS

ACOUSTIC & ELECTRICAL SPECIFICATIONS:

- Nominal Impedance: 8 ohm L.F., 16 ohm H.F.
- Power Rating: Continuous Program: 300W L.F.
Continuous Program: 70W H.F.
- Frequency Response: 70 Hz to 20 kHz
- Sensitivity: 95 dB L.F., 109 dB H.F. SPL*
- Crossover Frequencies: 1200 Hz, 40 Hz

SYSTEM COMPONENTS:

- Cabinet: C4726
- Grille: G4726
- Low Frequency Transducer: 300mm (12 in.) Cone Transducer (2204H)

*1 Watt (2.83 V RMS) @ 1 Meter

SYSTEM COMPONENTS: (cont'd)

- High Frequency Transducer: 25mm (1 in.) Pure Titanium Diaphragm Compression Driver (2426J)
- Crossover Network: N4726 - N4726P

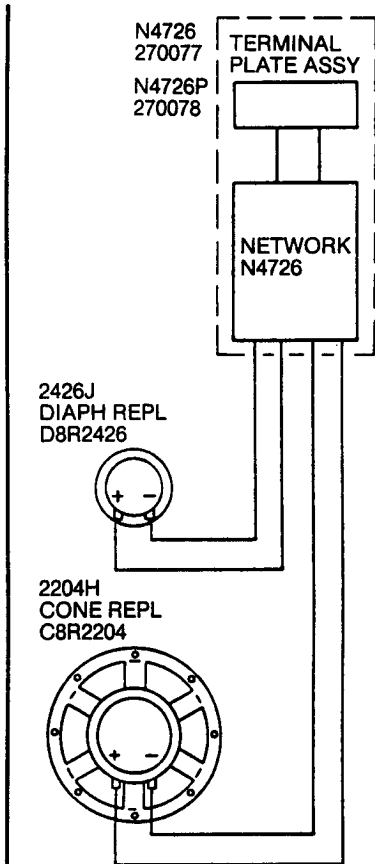
PHYSICAL SPECIFICATIONS:

- Enclosure Dimensions: 646mm x 362mm x 356mm D (25.37 x 14.25 x 14.0 in. D)
- Shipping Weight: 48 lbs. (22 kg)

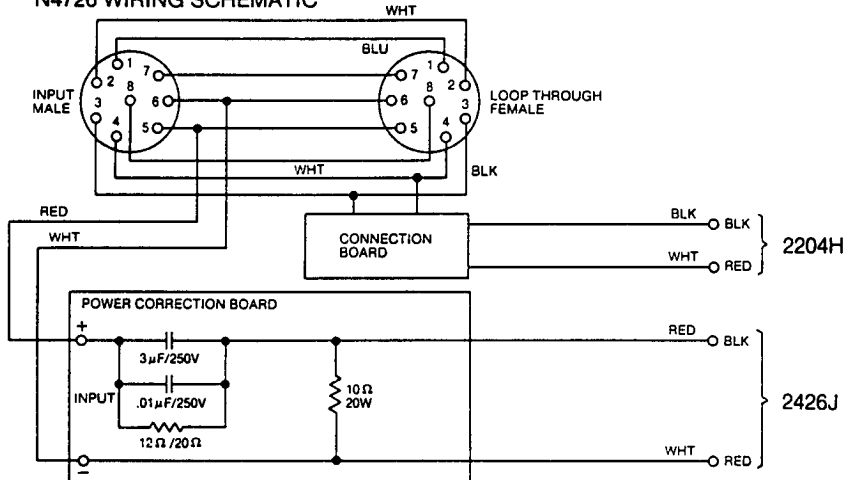
WARRANTY INFORMATION:

- Refer to the Warranty Statement packed with each product.

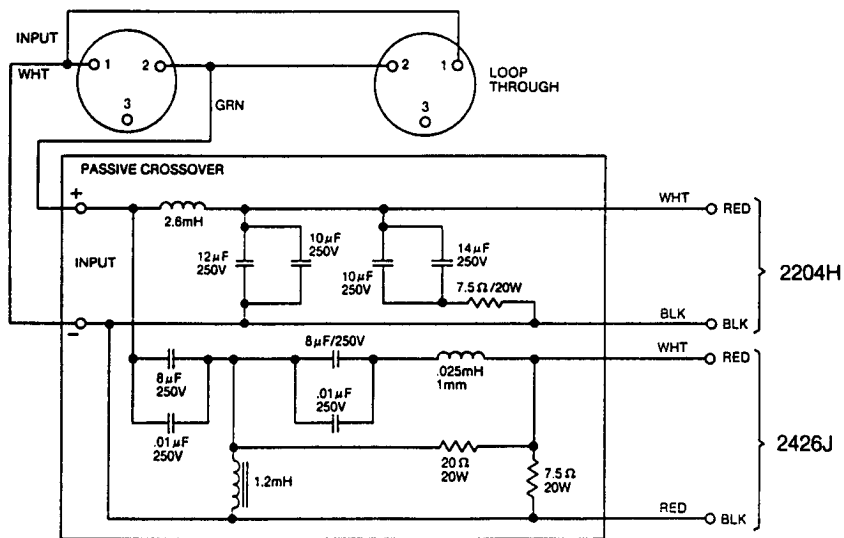
WIRING DIAGRAM



N4726 WIRING SCHEMATIC



4726P WIRING SCHEMATIC, PASSIVE CROSSOVER



PACKAGE

Carton 981815
End Pads 983210

JBL4726 REV A

JBL4726

COMPONENT EXPLODED VIEW

