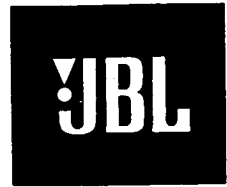


Technical Manual



JBL4716A COMPACT BI-RADIAL™ SPEAKER SYSTEM

SPECIFICATIONS

ACOUSTIC & ELECTRICAL SPECIFICATIONS:

- Nominal Impedance: 8 ohm
- Power Rating: 380W IEC
- Frequency Response: 100 Hz to 16 kHz (± 3 dB)
- Sensitivity: 95 dB SPL*
- Crossover Frequencies: 1200 Hz

SYSTEM COMPONENTS:

- Cabinet: C4716
- Grille: TBA
- Low Frequency Transducer: 250mm (10 in.) Cone Transducer (2123H)

SYSTEM COMPONENTS: (cont'd)

- High Frequency Transducer: 25mm (1 in.) Pure Titanium Diaphragm Compression Driver (2416H)
- Crossover Network: N4716A

PHYSICAL SPECIFICATIONS:

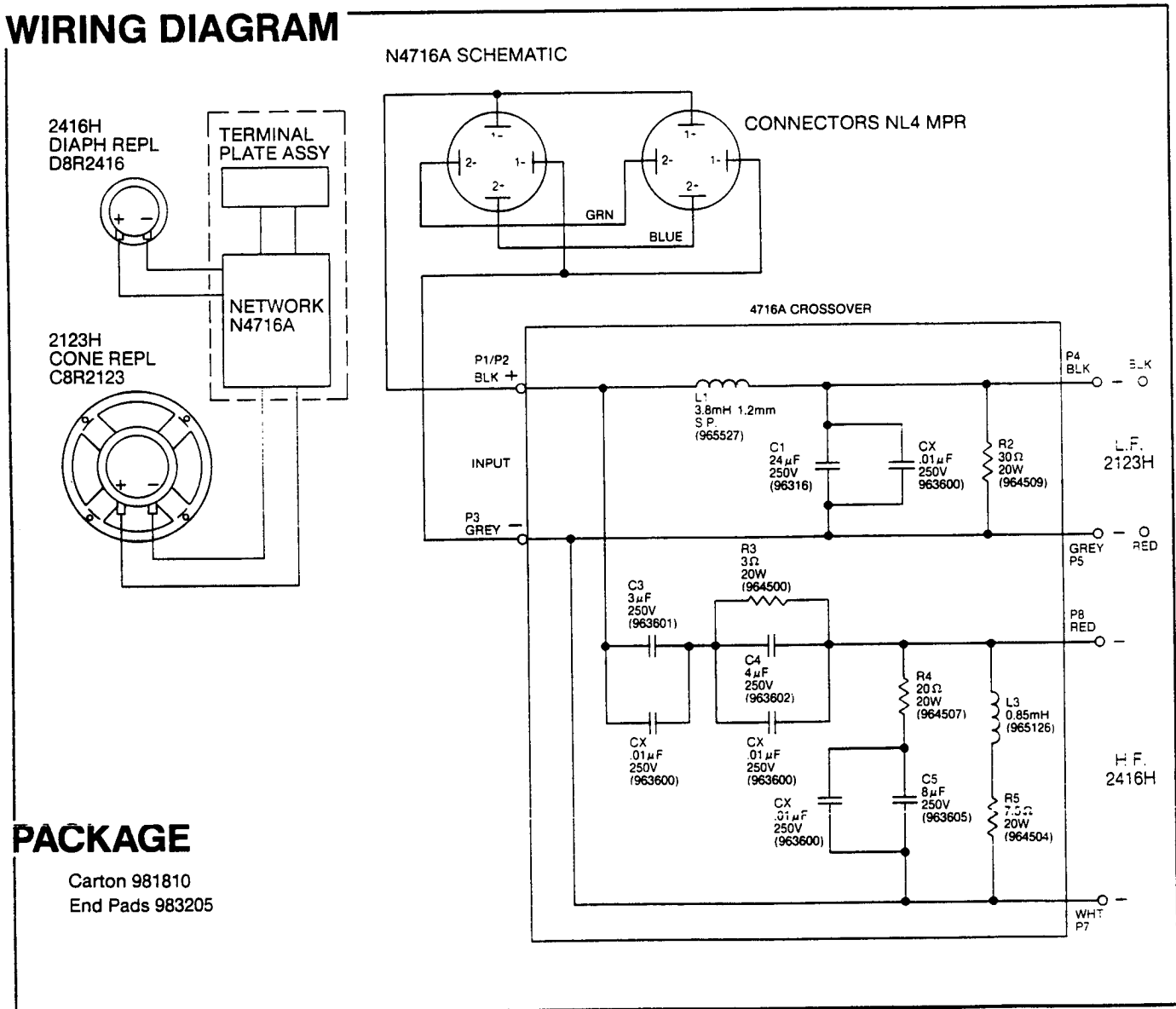
- Enclosure Dimensions: 512mm x 286mm x 280mm D (20.15 x 11.25 x 11.0 in. D)
- Shipping Weight: 40 lbs. (18 kg)

WARRANTY INFORMATION:

- Refer to the Warranty Statement packed with each product.

*1 Watt (2.83 V RMS) @ 1 Meter

WIRING DIAGRAM



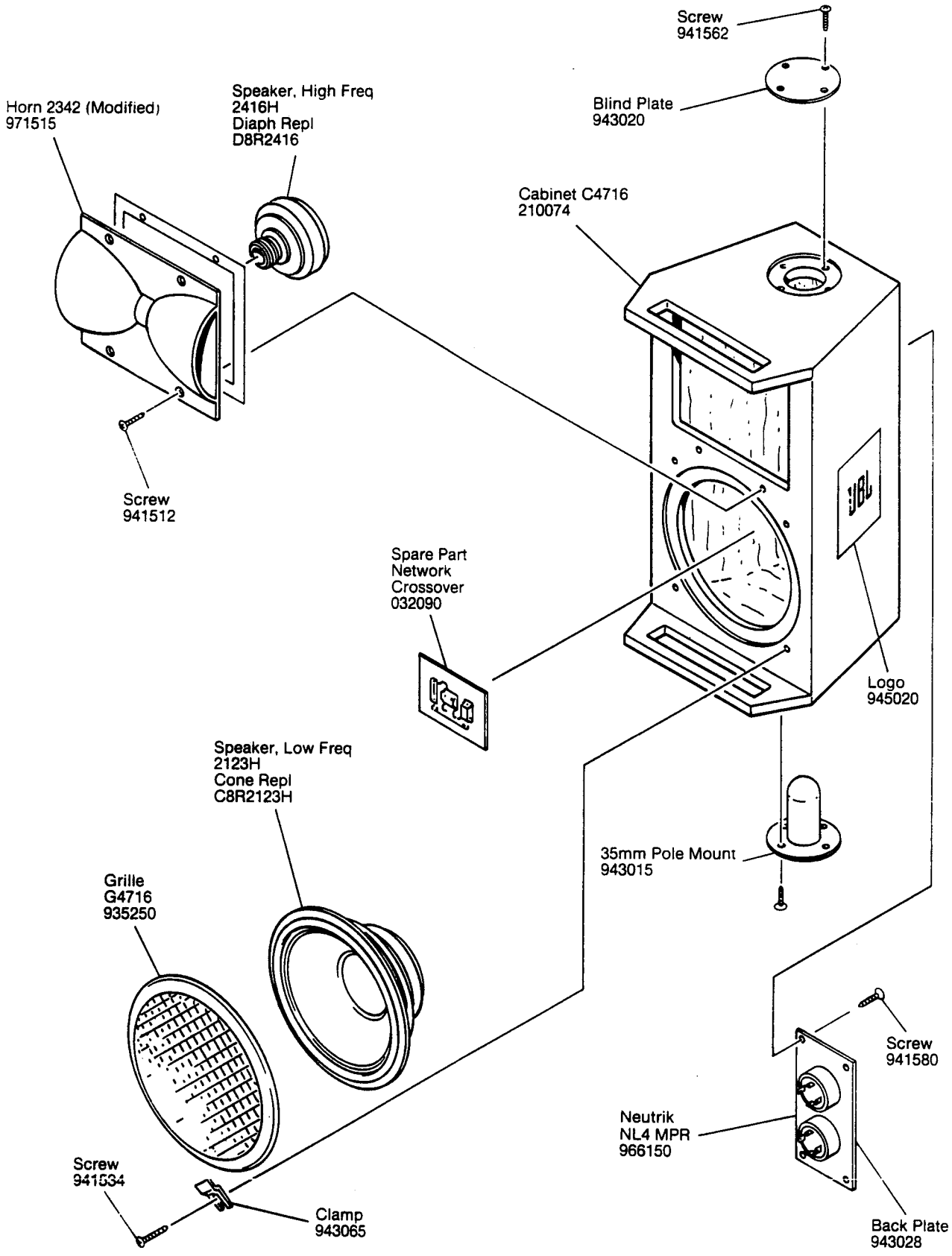
PACKAGE

Carton 981810
End Pads 983205

JBL4716A REV B

JBL4716A

COMPONENT EXPLODED VIEW



JBL4716A