

# Technical Manual



# JBL4698B KEYBOARD/ELECTRONIC DRUM/REINFORCEMENT SYSTEM

## SPECIFICATIONS

### ACOUSTIC & ELECTRICAL SPECIFICATIONS:

- Nominal Impedance: 4 ohm
- Power Rating: Continuous Pink Noise: 400W  
Continuous Pink Noise: 800W
- Frequency Response: 35 Hz to 21.5 kHz
- Sensitivity: 103 dB SPL\*
- Crossover Frequencies: 500 Hz - 3 kHz

### SYSTEM COMPONENTS:

- Cabinet: C4698
- Grille: G4698
- Low Frequency Transducer: 460mm (18 in.) Cone Transducer

\*1 Watt (2.83 V RMS) @ 1 Meter

### SYSTEM COMPONENTS: (cont'd)

- Mid Frequency Transducer: 250mm (10 in.) Cone Transducer
- High Frequency Transducer: 44mm (1.75 in.) Aluminum Diaphragm Compression Driver N4698
- Crossover Network: N4698

### PHYSICAL SPECIFICATIONS:

- Enclosure Dimensions: 1021mm x 751mm x 478mm D (40.18 x 29.56 x 18.81 in. D)
- Shipping Weight: 169 lbs.

### WARRANTY INFORMATION:

- Refer to the Warranty Statement packed with each product.

## PACKAGE

Warranty 59660  
Specification Sheet 63853  
Under Pad

Corner Pad  
61041

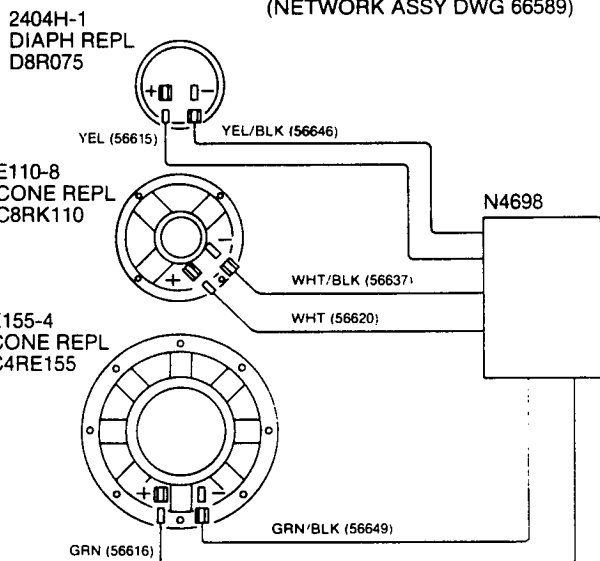
Packaging  
49790P

Carton  
63741

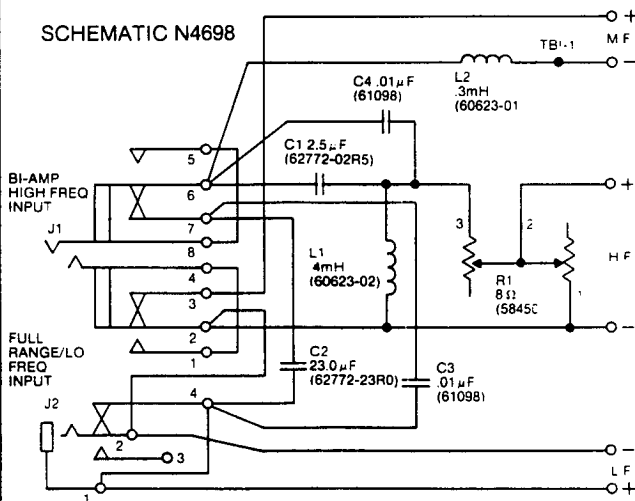
Corner Pad  
61041

## WIRING DIAGRAM

(NETWORK ASSY DWG 66589)

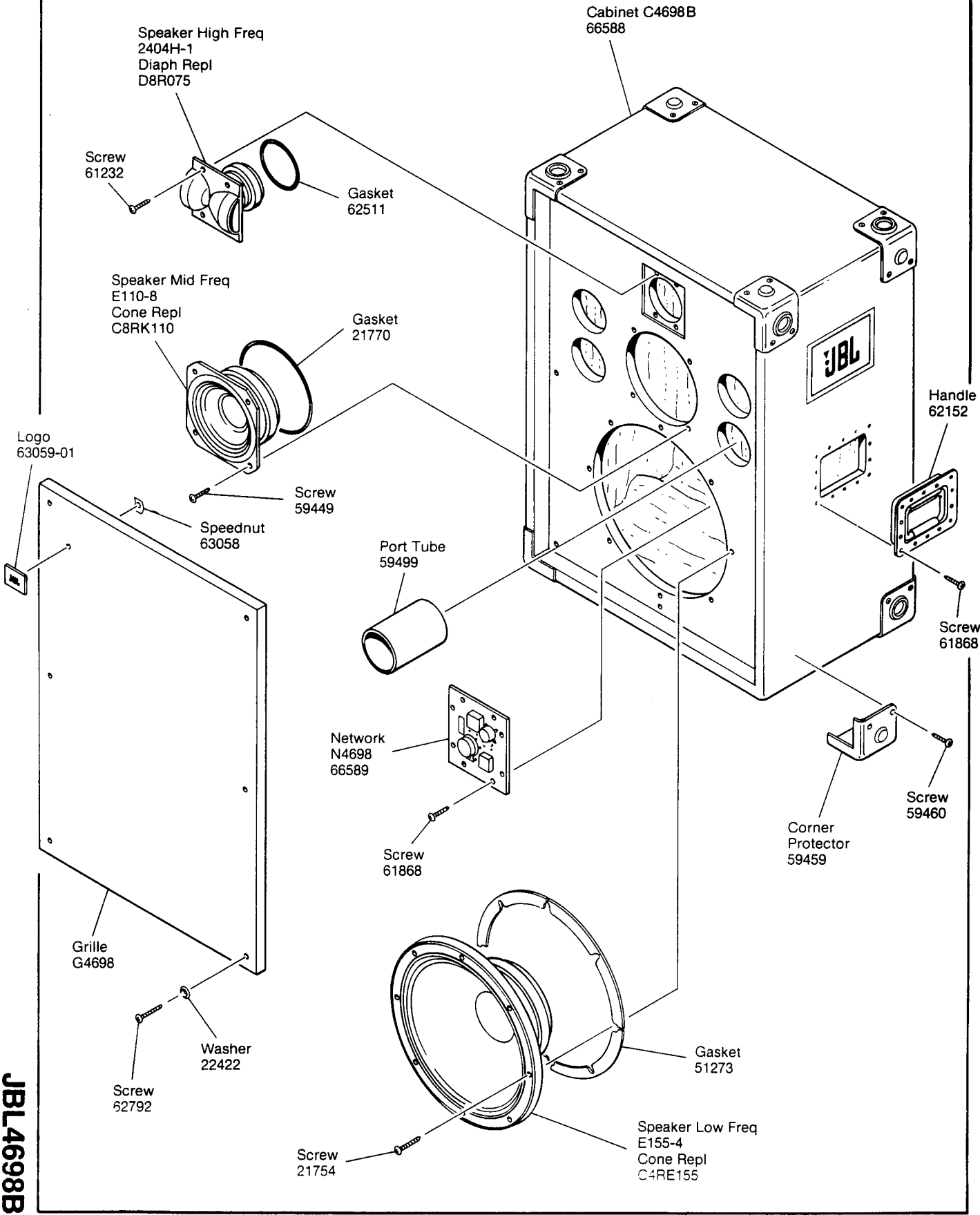


### SCHEMATIC N4698



# JBL4698B

## COMPONENT EXPLODED VIEW



JBL4698B