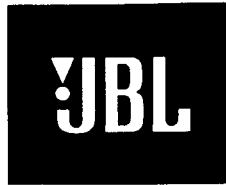


Technical Manual



JBL 4695B

SPECIFICATIONS

ACOUSTIC & ELECTRICAL SPECIFICATIONS:

- Nominal Impedance: 4 ohm
- Power Capacity: Continuous Pink Noise: 300W
Continuous Program: 600W
- Frequency Range: 30 Hz to 2.5 kHz (-10dB)
- Sensitivity: 100 dB SPL*
- Crossover Frequencies: N/A

SYSTEM COMPONENTS:

- Cabinet: C4695B
- Grille: G4695B (60436)
- Low Frequency Transducer: 460mm (18 in.) Cone Transducer (E155-8)

*1 Watt (2.0 V RMS) @ 1 Meter

SYSTEM COMPONENTS: (cont'd)

- DC Resistance: 6.0 ohm \pm 10% Copper Wire
- Crossover Network: N4695B (59374)

AURAL SWEEP TEST SPECIFICATIONS:

- A. System Aural Sweep Test: 7.0V Input, 20 Hz to 20 kHz
- B. L.F. Aural Sweep Test: 8.0V Input, 20 Hz to 1.2 kHz

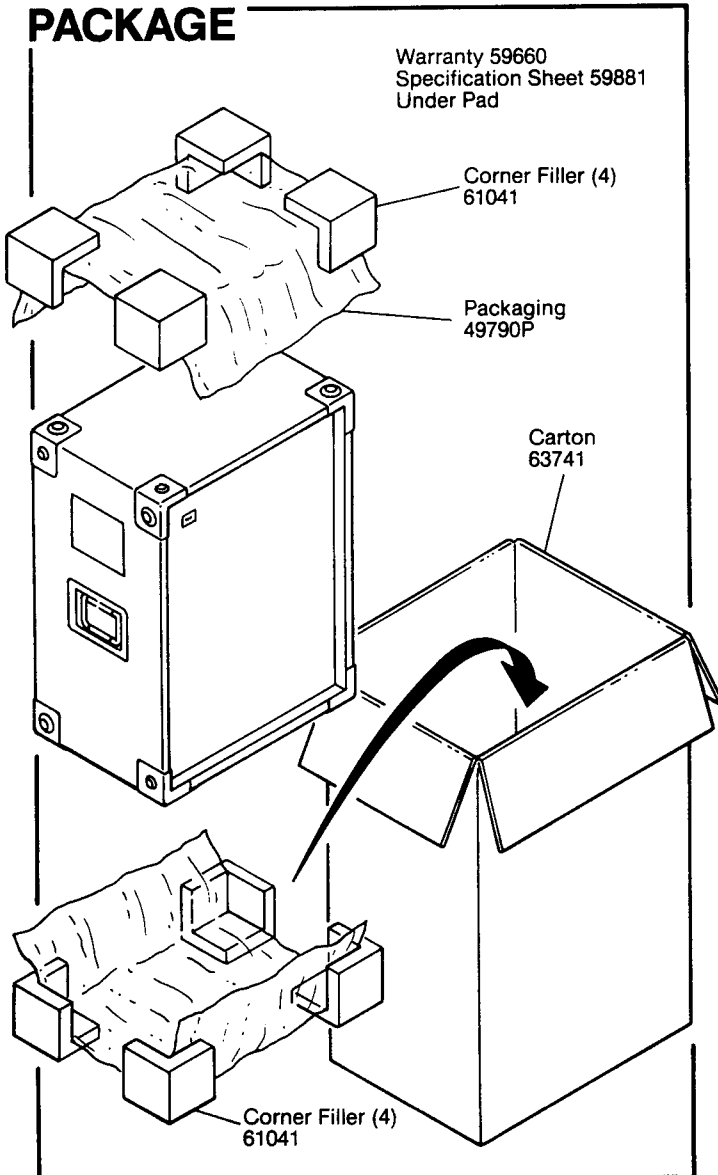
PHYSICAL SPECIFICATIONS:

- Enclosure Dimensions: 1021mm x 751mm x 478mm D
(40.18 x 29.56 x 18.81 in. D)
- Shipping Weight: 142 lbs. (64.5 kg)

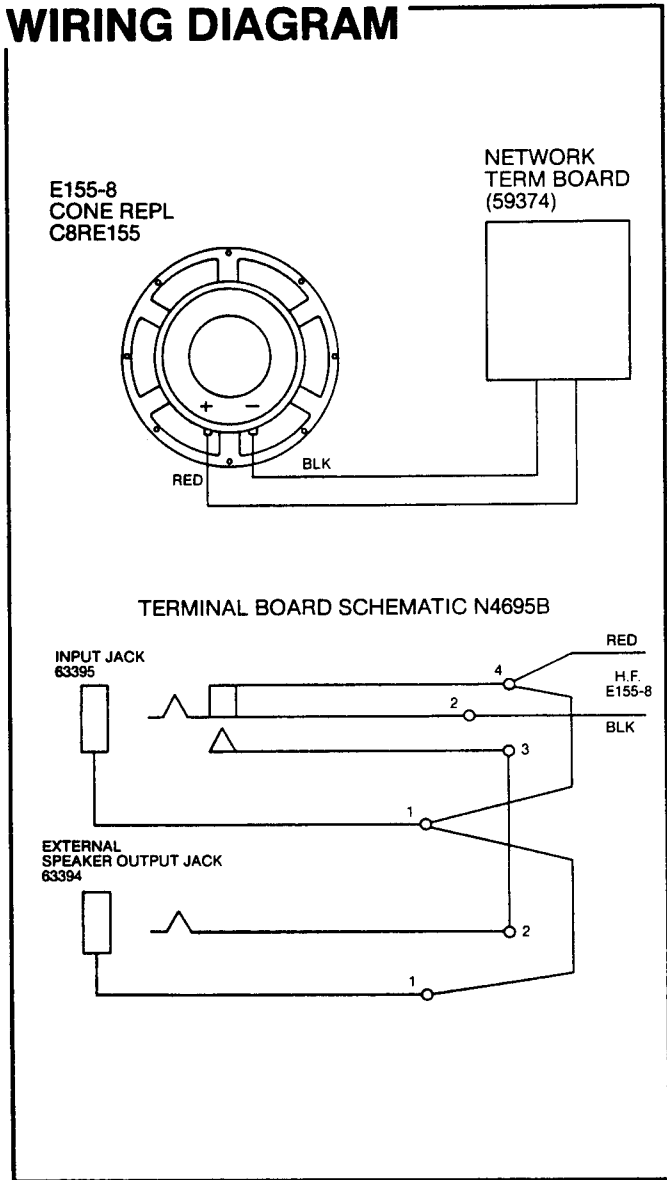
WARRANTY INFORMATION:

- Refer to the Warranty Statement packed with each product.

PACKAGE



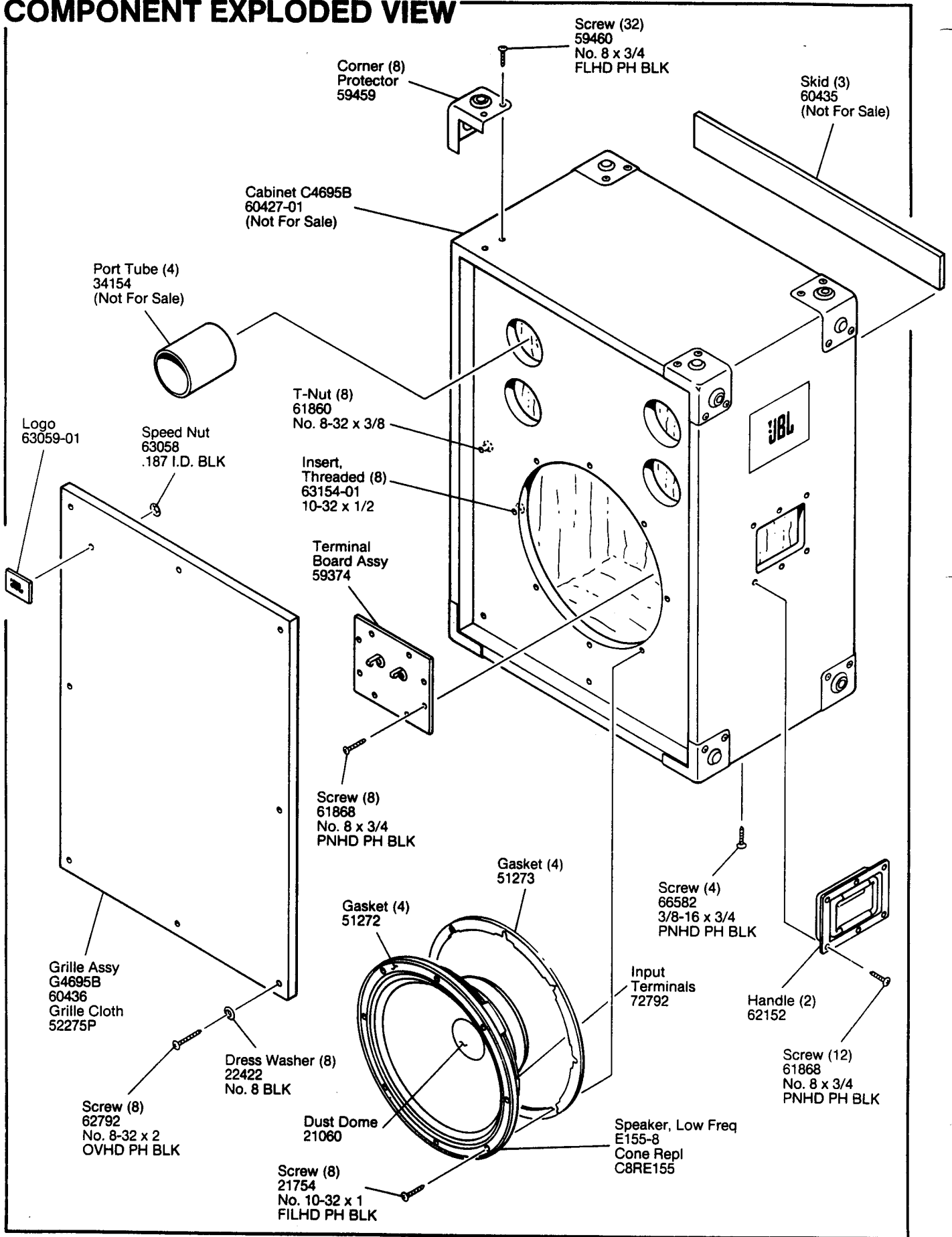
WIRING DIAGRAM



JBL 4695B REV B

JBL 4695B

COMPONENT EXPLODED VIEW



JBL 4695B