

# Technical Manual

# JBL4691B HIGH-LEVEL PLAYBACK/ REINFORCEMENT



## SPECIFICATIONS

### ACOUSTIC & ELECTRICAL SPECIFICATIONS:

- Nominal Impedance: 8 ohm
- Power Rating: Continuous Pink Noise: 200W  
Continuous Pink Noise: 400W
- Frequency Response: 40 Hz to 20 kHz (-10dB)
- Sensitivity: 103 dB SPL\*
- Crossover Frequencies: 1.5 kHz

### SYSTEM COMPONENTS:

- Cabinet: C4691B
- Grille: G4691B
- Low Frequency Transducer: 380mm (15 in.) Cone Transducer

### SYSTEM COMPONENTS: (cont'd)

- High Frequency Transducer: 25mm (1 in.) Pure Titanium Diaphragm Compression Driver
- Crossover Network: N4691B

### PHYSICAL SPECIFICATIONS:

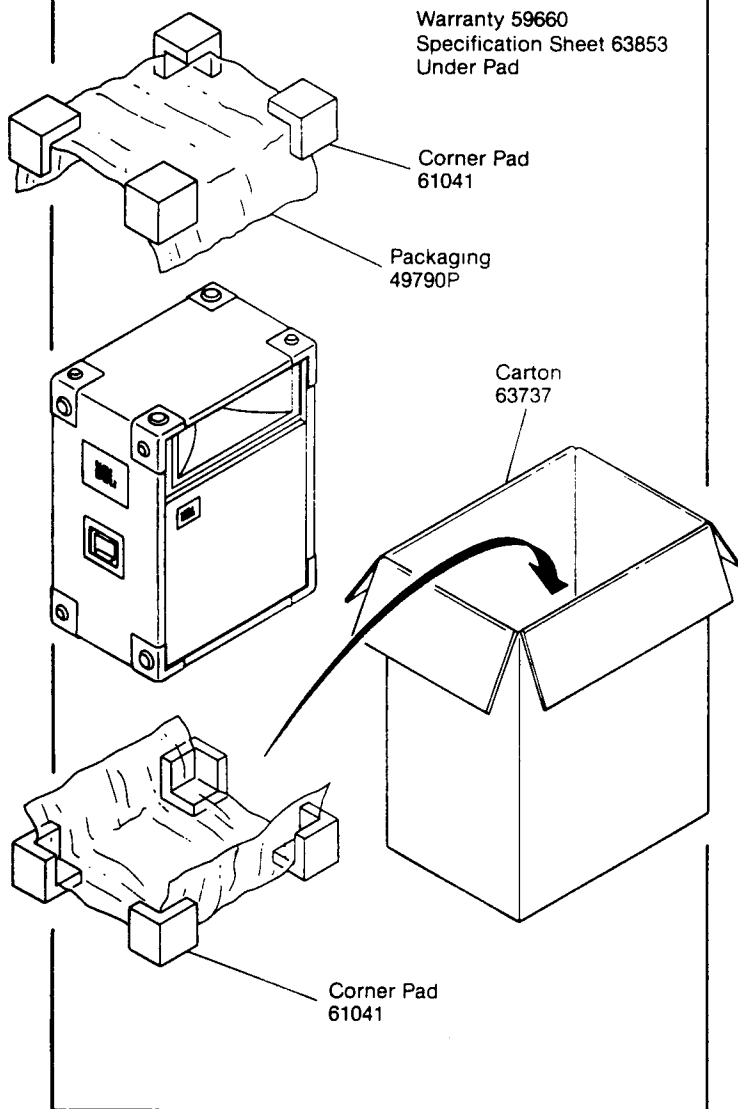
- Enclosure Dimensions: 767mm x 512mm x 478mm D (30.18 x 20.12 x 18.81 in. D)
- Shipping Weight: 109 lbs.

### WARRANTY INFORMATION:

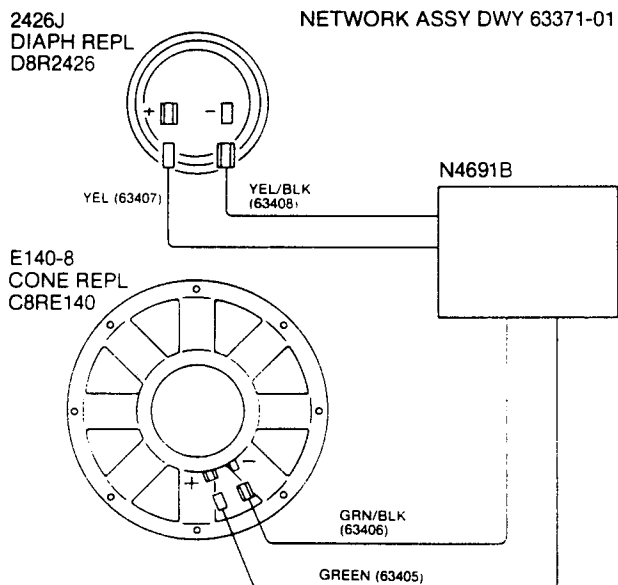
- Refer to the Warranty Statement packed with each product.

\*1 Watt (2.83 V RMS) @ 1 Meter

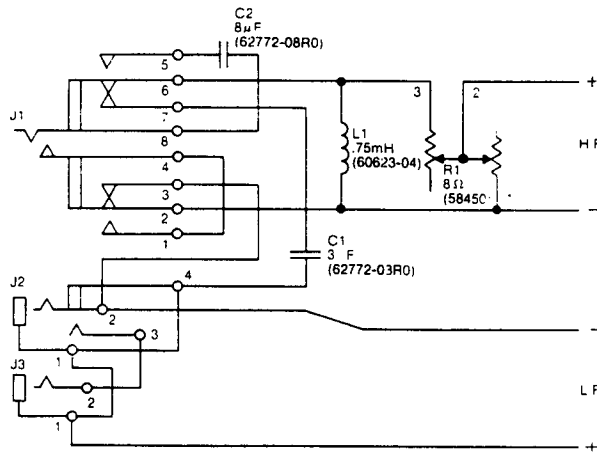
## PACKAGE



## WIRING DIAGRAM

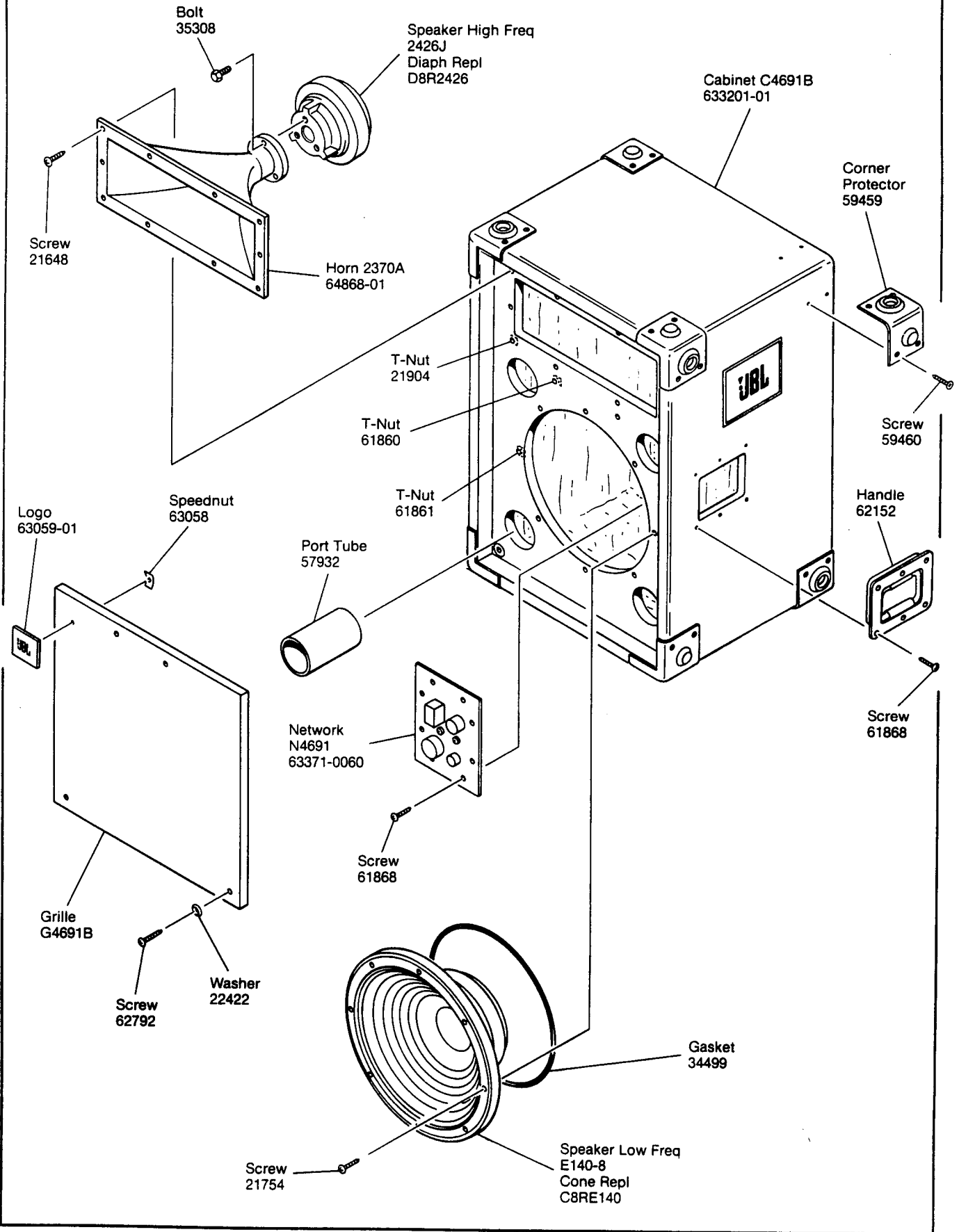


### SCHEMATIC N4691B



# JBL4691B

## COMPONENT EXPLODED VIEW



JBL4691B