

Technical Manual



JBL4682

SPECIFICATIONS

ACOUSTIC & ELECTRICAL SPECIFICATIONS:

- Nominal Impedance: 8 ohm
- Power Rating: Continuous Sine Wave: 300W
Continuous Program: 600W
- Frequency Response: 55 Hz to 15 kHz
- Sensitivity: 105 dB SPL*
- Crossover Frequencies: 3.0 kHz

SYSTEM COMPONENTS:

- Cabinet: C4782
- Grille: 51849
- Low Frequency Transducer: 250mm (10 in.) Cone Transducer (K110-8) (4)

*1 Watt (2.83 V RMS) @ 1 Meter

SYSTEM COMPONENTS: (cont'd)

- High Frequency Transducer: 44mm (1-3/4 in.) Aluminum Diaphragm (2402H) (2)
- Crossover Network: 3102

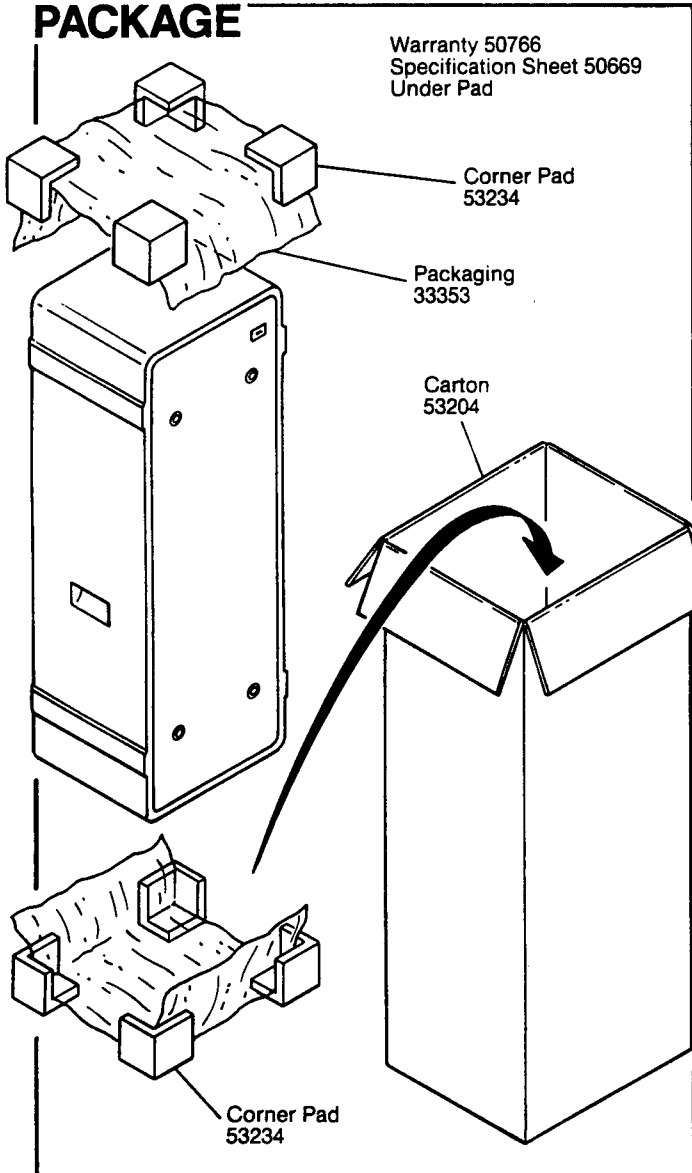
PHYSICAL SPECIFICATIONS:

- Enclosure Dimensions: 1321mm x 438mm x 343mm D (52.0 x 17.25 x 13.5 in. D)
- Shipping Weight: 95 lbs. (43 kg)

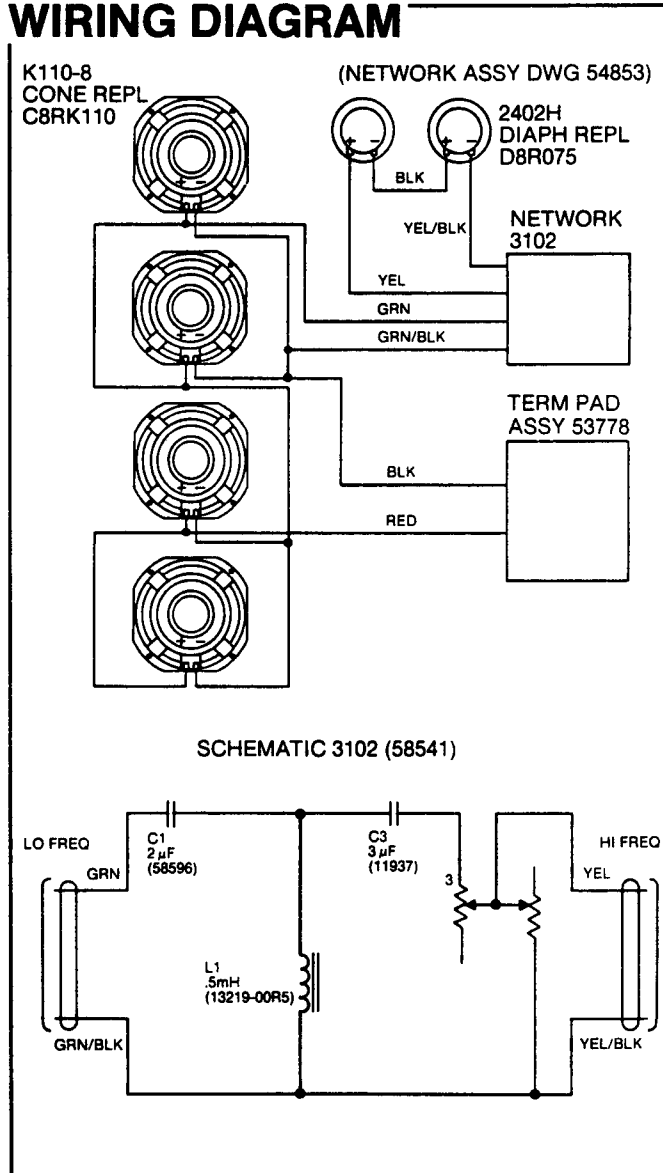
WARRANTY INFORMATION:

- Refer to the Warranty Statement packed with each product.

PACKAGE



WIRING DIAGRAM



JBL4682

COMPONENT EXPLODED VIEW

