

# Technical Manual



# JBL4676B-1

## SPECIFICATIONS

### ACOUSTIC & ELECTRICAL SPECIFICATIONS:

- Nominal Impedance: 8 ohm
- Power Rating: Continuous Pink Noise: 300W  
Continuous Program: 600W
- Frequency Response: 40 Hz to 20 kHz
- Sensitivity: 106 dB SPL\*
- Crossover Frequencies: 500 Hz

### SYSTEM COMPONENTS:

- Cabinet: C4550BKA
- Grille: N/A
- Low Frequency Transducer: 380mm (15 in.) Cone Transducer (2), 2225H

### SYSTEM COMPONENTS: (cont'd)

- High Frequency Transducer: 100mm (4 in.) Pure Titanium Diaphragm, 2445J
- Crossover Network: 3160

### PHYSICAL SPECIFICATIONS:

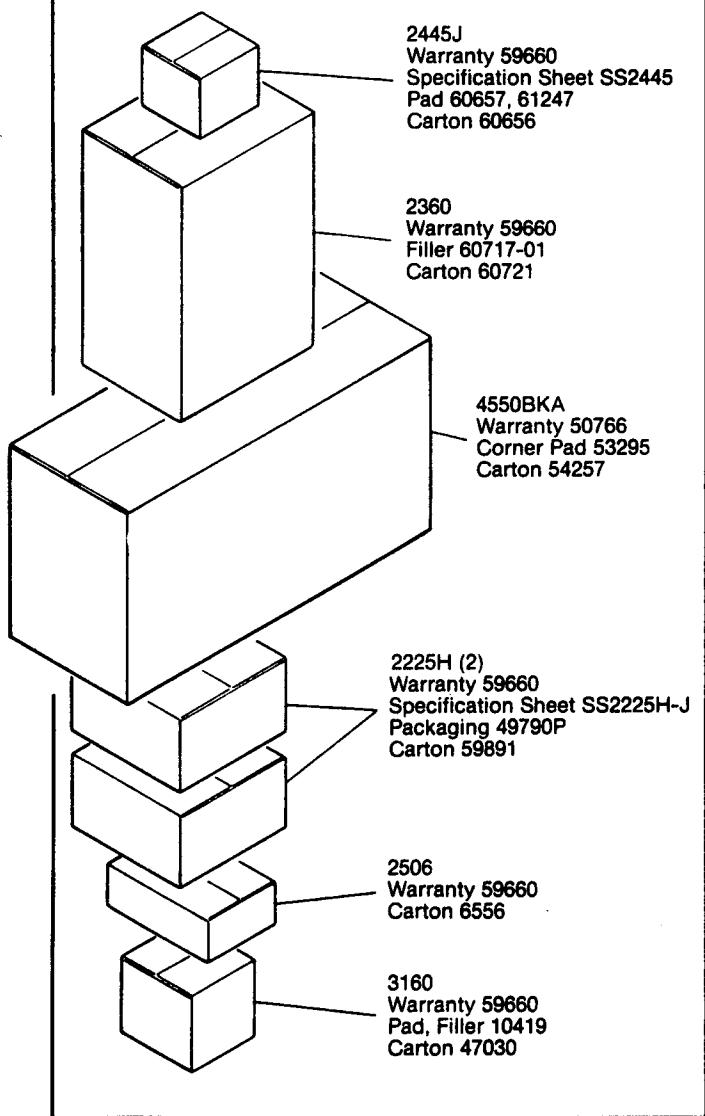
- Enclosure Dimensions: 1686mm x 1524mm x 949mm D (66.37 x 60.0 x 37.37 in. D)
- Shipping Weight: 311 lbs.

### WARRANTY INFORMATION:

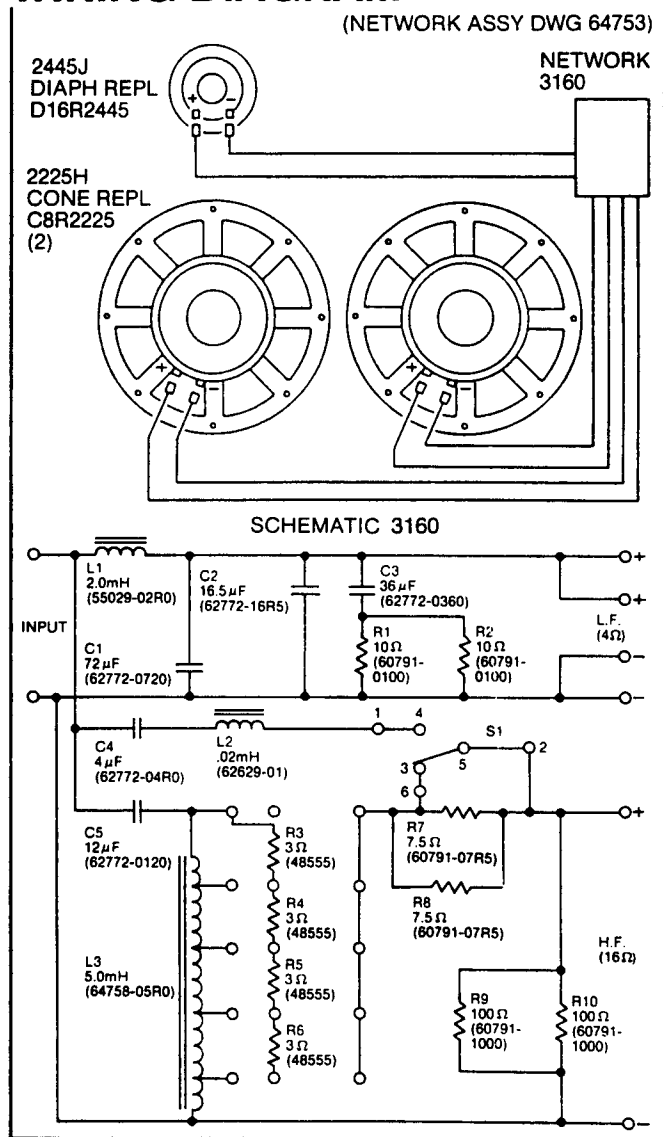
- Refer to the Warranty Statement packed with each product.

\*1 Watt (2.83 V RMS) @ 1 Meter

## PACKAGE

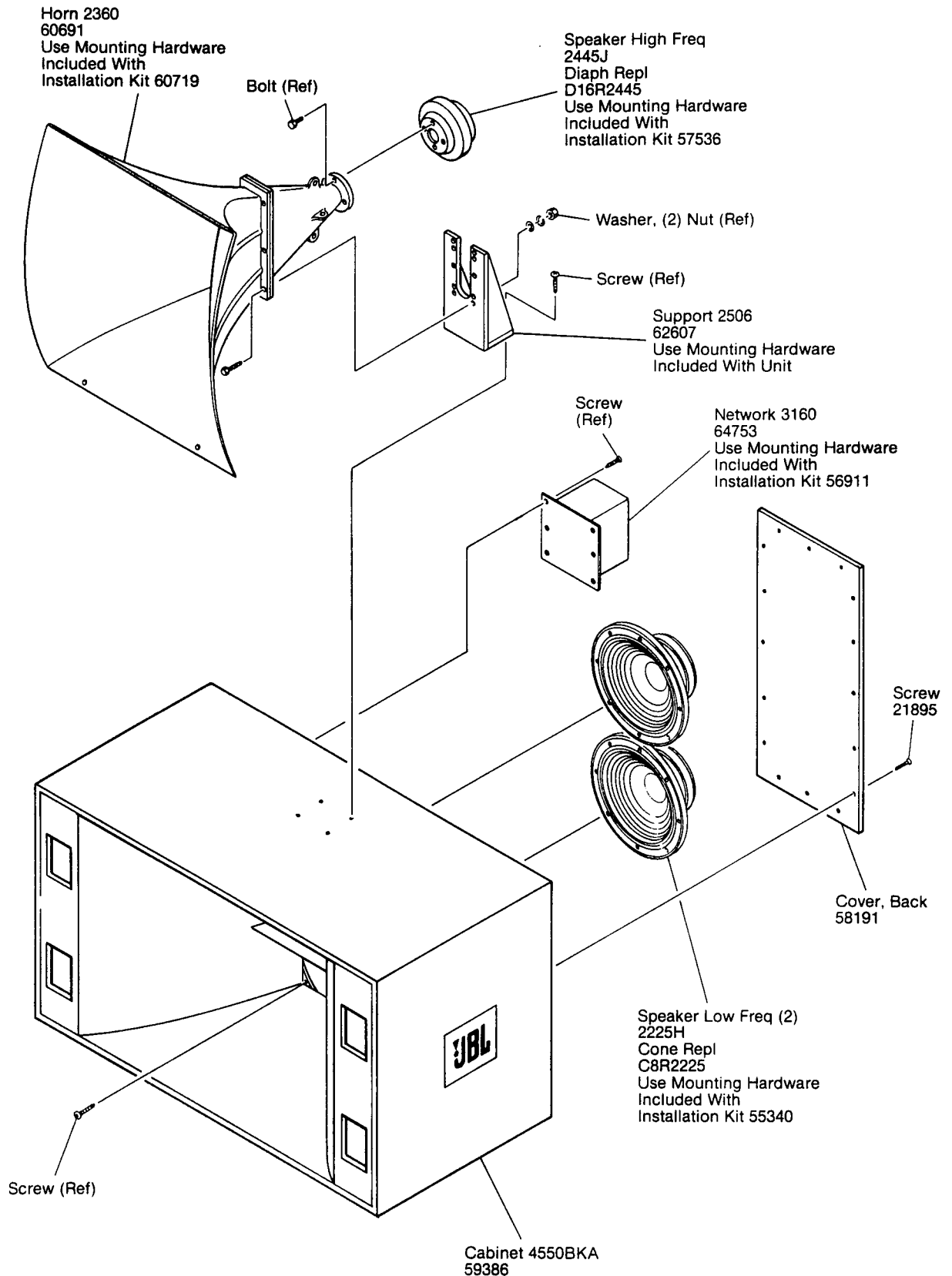


## WIRING DIAGRAM



# JBL4676B-1

## COMPONENT EXPLODED VIEW



JBL4676B-1