

Technical Manual



JBL4663A

SPECIFICATIONS

ACOUSTIC & ELECTRICAL SPECIFICATIONS:

- Nominal Impedance: 8 ohm
- Power Rating: Continuous Program: 300W
Continuous Pink Noise: 150W
- Frequency Response: 45 Hz to 21.5 kHz
- Sensitivity: 105 dB SPL*
- Crossover Frequencies: 800 Hz and 7 kHz

SYSTEM COMPONENTS:

- Cabinet: C4560BKA
- Grille: N/A
- Low Frequency Transducer: 380mm (15 in.) Cone Transducer (E140-8)

*1 Watt (2.83 V RMS) @ 1 Meter

SYSTEM COMPONENTS: (cont'd)

- High Frequency Transducer: 25mm (1 in.) Titanium Compression Driver (2426J)
- Ultra-High Freq. Transducer: 44mm (1 3/4 in.) Aluminum Compression Driver (2405H)
- Crossover Network: 3110A and 3105

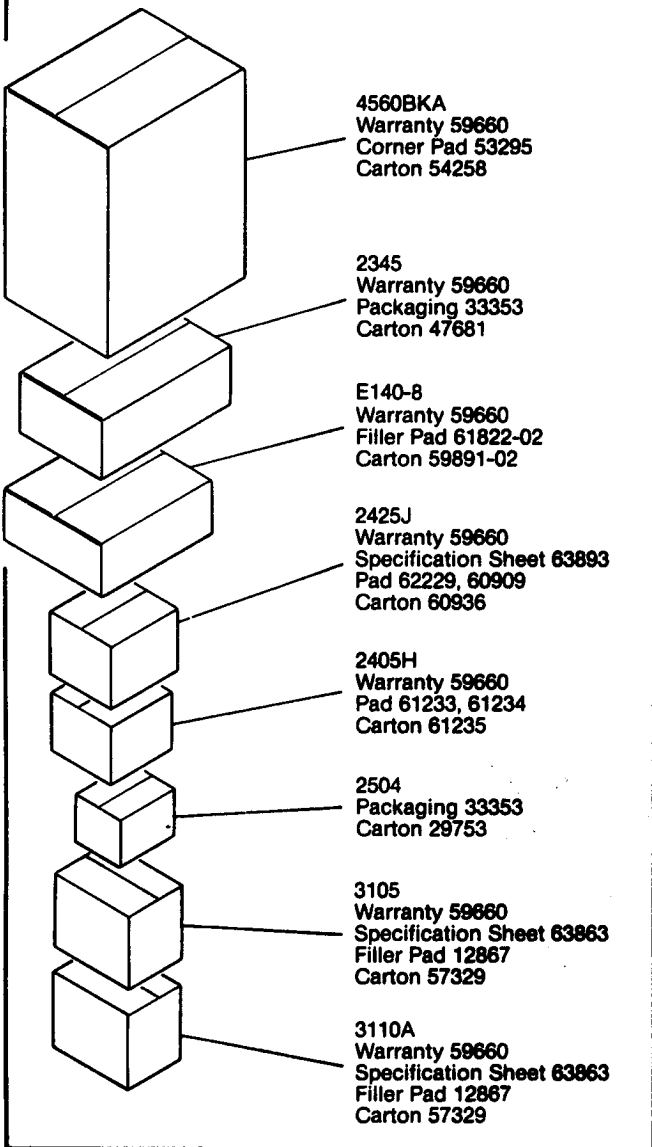
PHYSICAL SPECIFICATIONS:

- Enclosure Dimensions: 914mm x 762mm x 606mm D (36.0 x 30.0 x 23.87 in. D)
- Shipping Weight: 147 lbs.

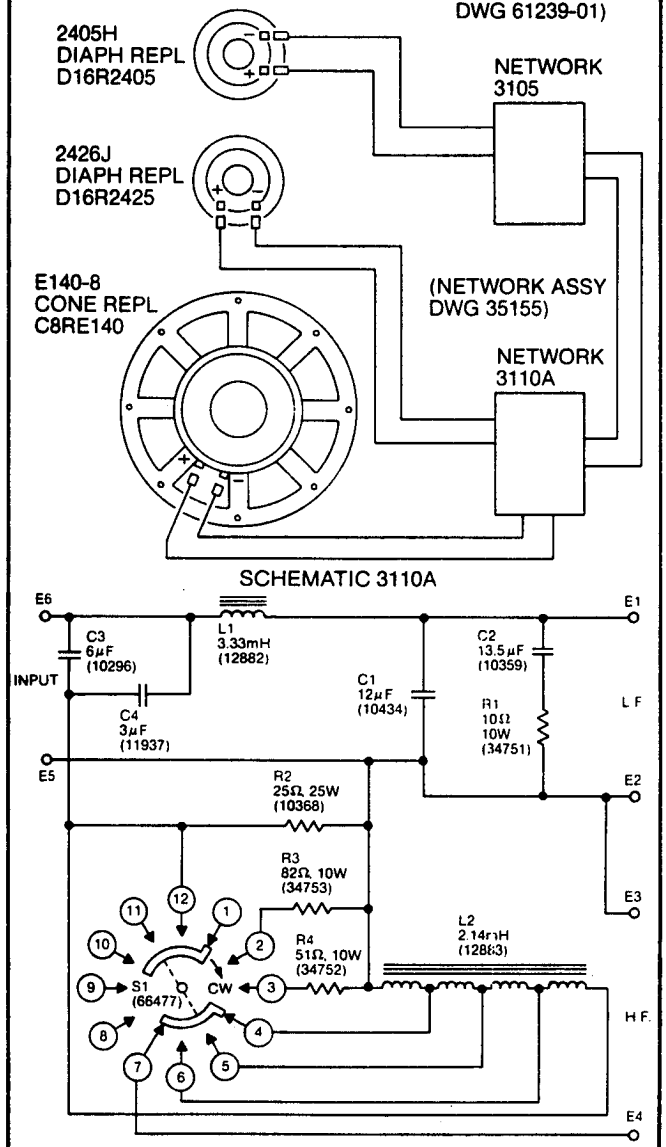
WARRANTY INFORMATION:

- Refer to the Warranty Statement packed with each product.

PACKAGE

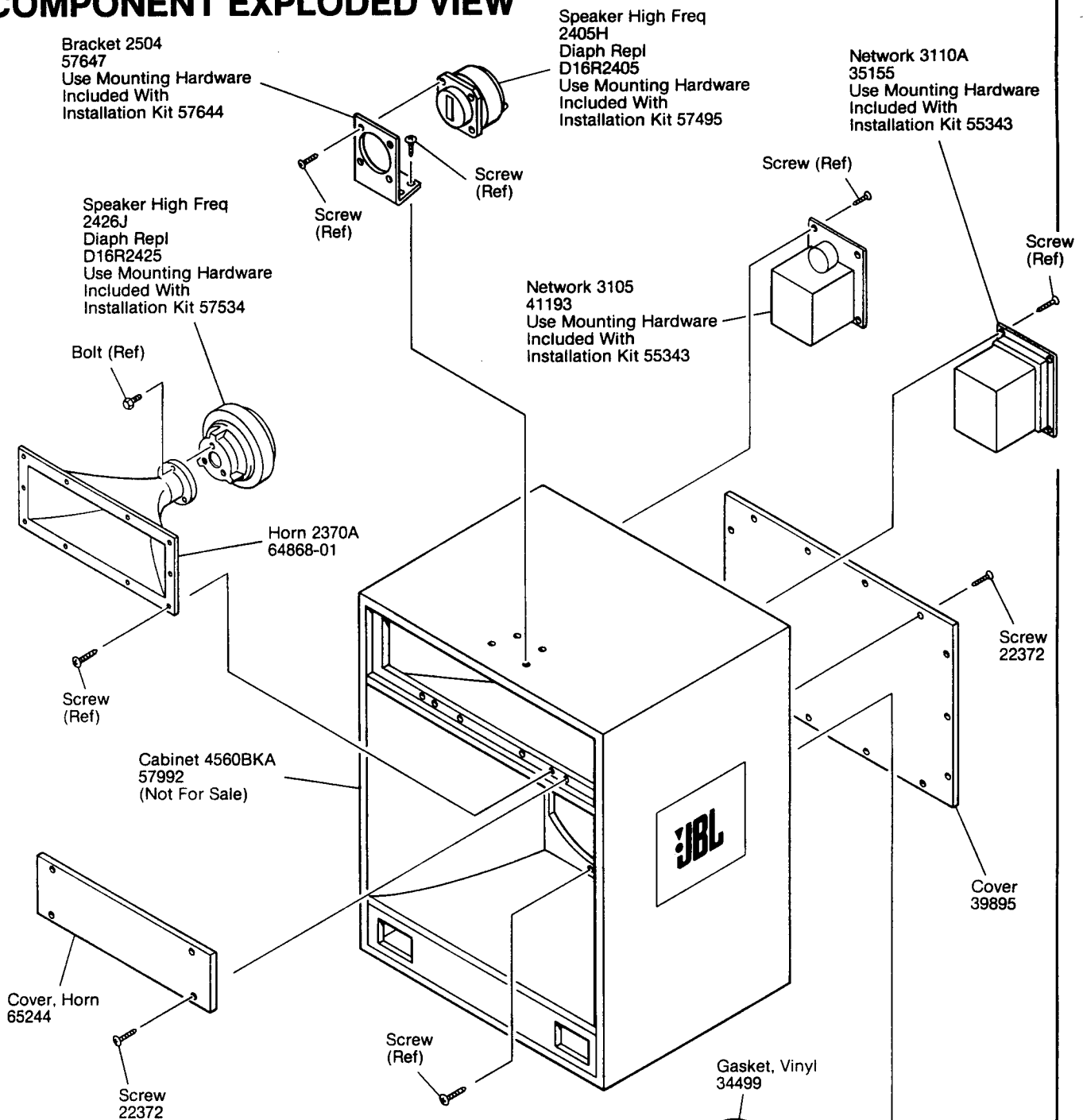


WIRING DIAGRAM

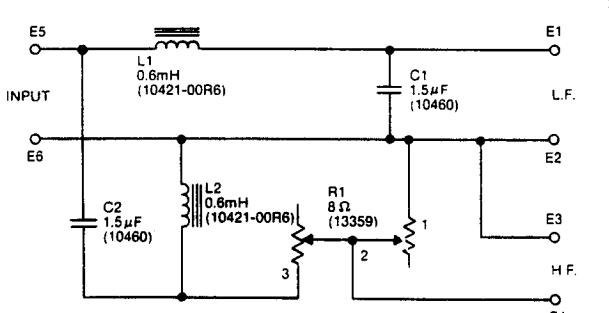


JBL4663A

COMPONENT EXPLODED VIEW



SCHEMATIC 3105



JBL4663A