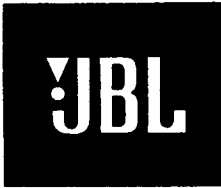


Technical Manual



JBL4660 DEFINED COVERAGE LOUDSPEAKER SYSTEM

SPECIFICATIONS

ACOUSTIC & ELECTRICAL SPECIFICATIONS:

- Nominal Impedance: 8 ohm
- Power Rating: Continuous Pink Noise: 150W
- Frequency Response: 80 Hz to 12 kHz (± 4 dB)
- Sensitivity: 99 dB SPL*
- Crossover Frequencies: 800 Hz

SYSTEM COMPONENTS:

- Cabinet: C4660
- Grille: G4660
- Low Frequency Transducer: 380mm (15 in.) Cone Transducer

SYSTEM COMPONENTS: (cont'd)

- High Frequency Transducer: 25mm (1 in.) Pure Titanium Diaphragm Compression Driver
- Crossover Network: N4660

PHYSICAL SPECIFICATIONS:

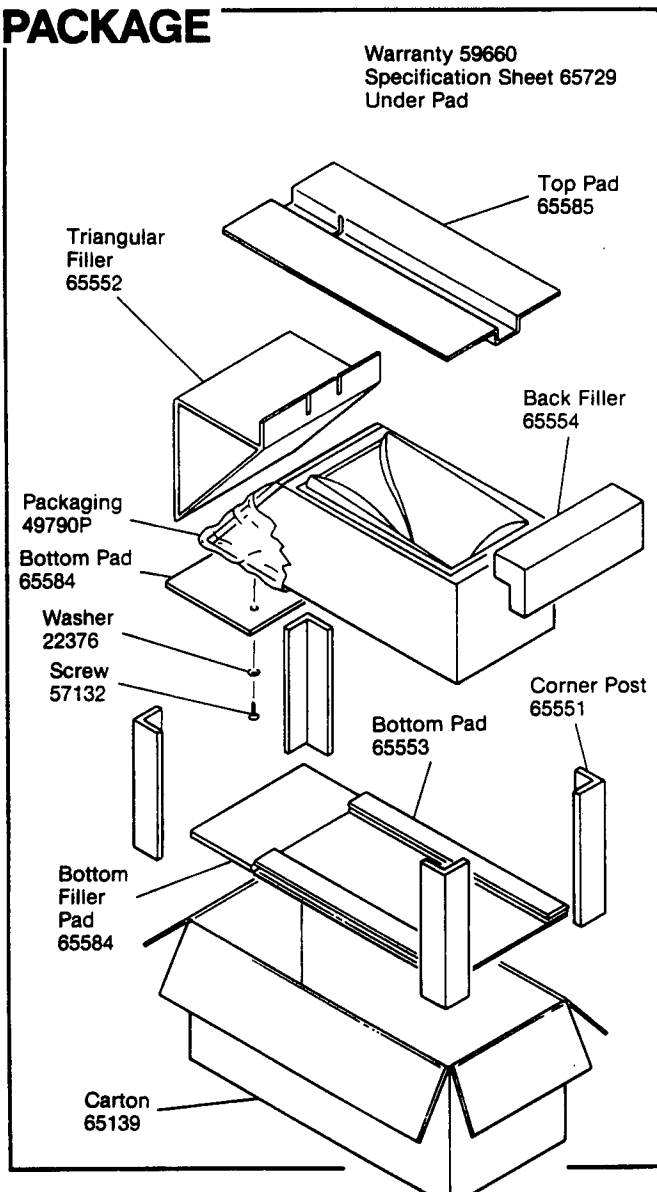
- Enclosure Dimensions: 1102mm x 607mm x 518mm D (43.37 x 24.0 x 20.37 in. D)
- Shipping Weight: 161 lbs.

WARRANTY INFORMATION:

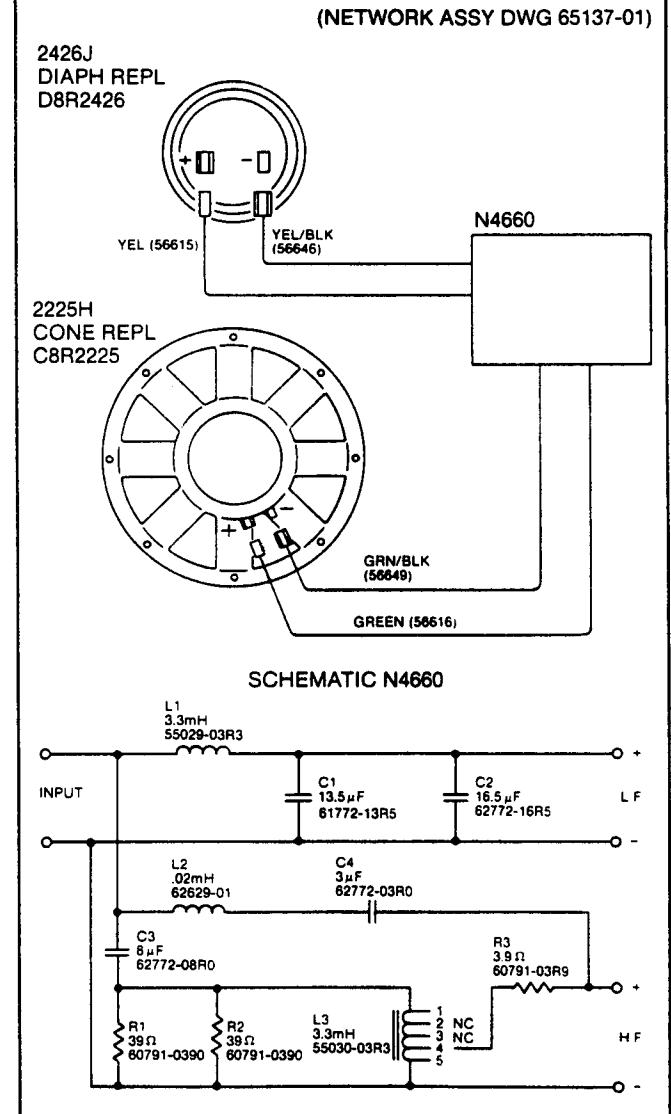
- Refer to the Warranty Statement packed with each product.

*1 Watt (2.83 V RMS) @ 1 Meter

PACKAGE



WIRING DIAGRAM



JBL4660

COMPONENT EXPLODED VIEW

