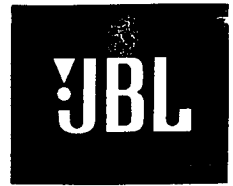


Technical Manual



JBL4647 LOW FREQUENCY SYSTEM

SPECIFICATIONS

ACOUSTIC & ELECTRICAL SPECIFICATIONS:

- Nominal Impedance: 8 ohm
- Power Rating: 200 Watts, Sine Wave
400 Watts, Continuous Program
- Frequency Response: 30 Hz to 2 kHz
- Sensitivity: 97 dB SPL*
- Crossover Frequencies: 1200 Hz

SYSTEM COMPONENTS:

- Cabinet: C4507
- Grille: N/A

*1 Watt (2.83 V RMS) @ 1 Meter

SYSTEM COMPONENTS: (cont'd)

- Low Frequency Transducer: 380mm (15 in.) Cone Transducer
- Crossover Network: N/A

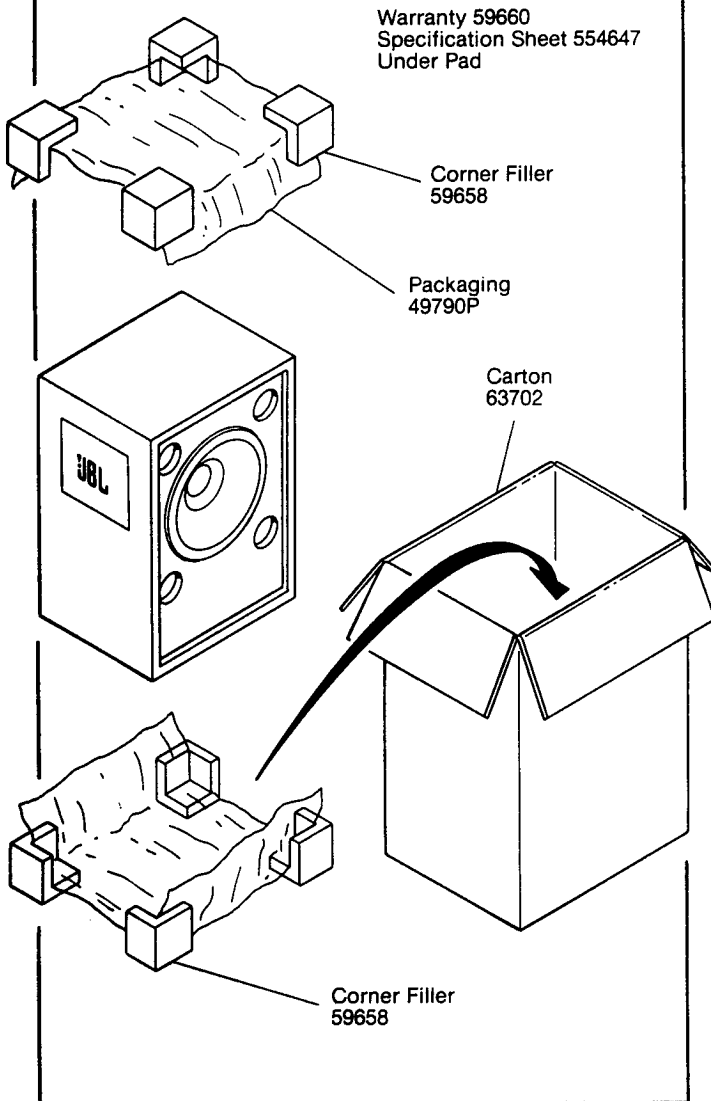
PHYSICAL SPECIFICATIONS:

- Enclosure Dimensions: 775mm x 546mm x 448mm D
(30.5 x 21.5 x 17.62 in. D)
- Shipping Weight: 80 lbs.

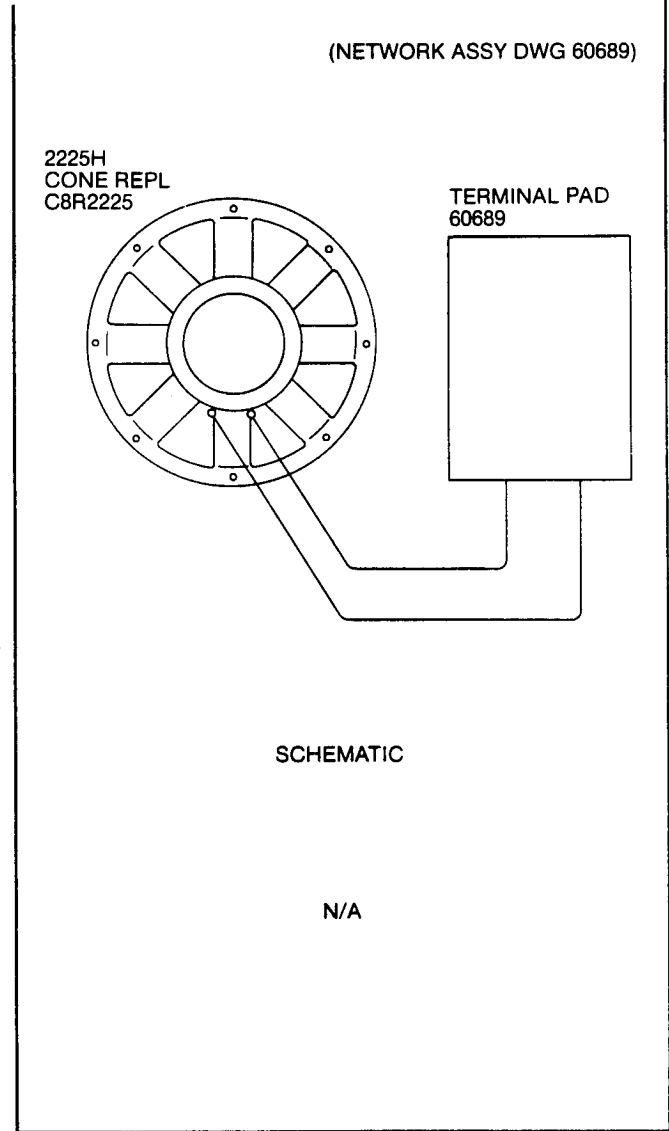
WARRANTY INFORMATION:

- Refer to the Warranty Statement packed with each product.

PACKAGE

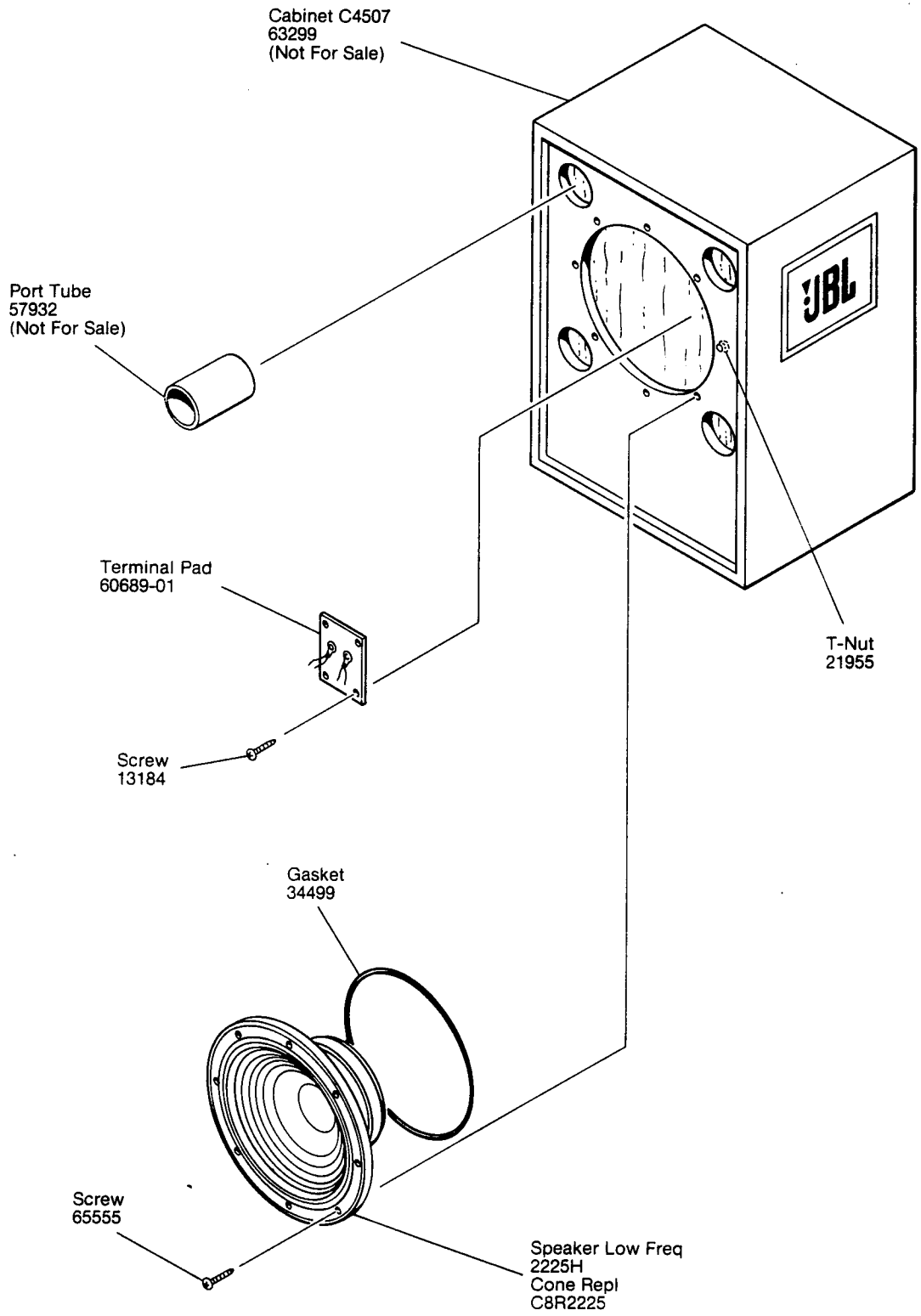


WIRING DIAGRAM



JBL4647

COMPONENT EXPLODED VIEW



JBL4647