

Technical Manual



JBL4646A LOW FREQUENCY SYSTEM

SPECIFICATIONS

ACOUSTIC & ELECTRICAL SPECIFICATIONS:

- Nominal Impedance: 8 ohm
- Power Rating: 150W, Sine Wave
300W, Continuous Program
- Frequency Response: Usable Response to 50 Hz
- Sensitivity: 96 dB SPL*
- Crossover Frequencies: N/A

SYSTEM COMPONENTS:

- Cabinet: C4512
- Grille: N/A
- Low Frequency Transducer: 300mm (12 in.)
Cone Transducer (2206HPL)

*1 Watt (2.83 V RMS) @ 1 Meter

SYSTEM COMPONENTS: (cont'd)

- DC Resistance: 5.3 ohm \pm 10% Aluminum Wire
- Crossover Network: N/A

AURAL SWEEP TEST SPECIFICATIONS:

- A. System Aural Sweep Test: 7.0V Input, 20 Hz to 20 kHz
- B. L.F. Aural Sweep Test: 10.0V Input, 20 Hz to 1.2 kHz

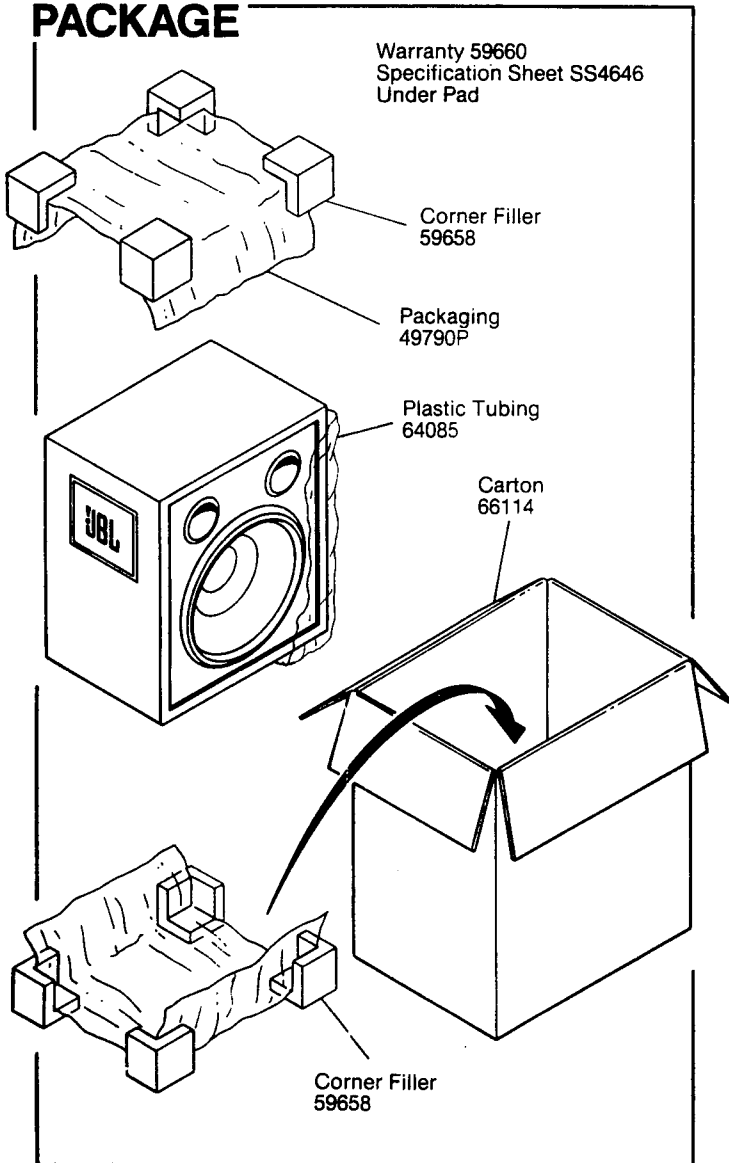
PHYSICAL SPECIFICATIONS:

- Enclosure Dimensions: 406mm x 470mm x 273mm D
(16.0 x 18.5 x 10.75 in. D)
- Shipping Weight: 40 lbs. (18 kg)

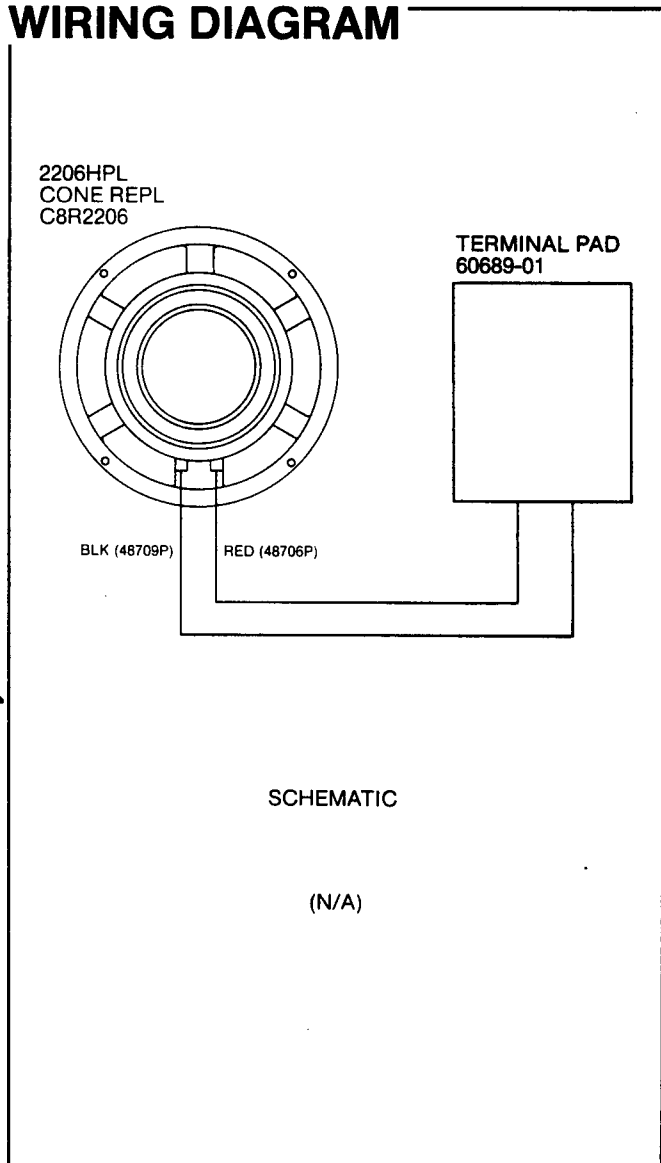
WARRANTY INFORMATION:

- Refer to the Warranty Statement packed with each product.

PACKAGE



WIRING DIAGRAM



JBL4646A

COMPONENT EXPLODED VIEW

