

Technical Manual



JBL4645 SUB-WOOFER SYSTEM

SPECIFICATIONS

ACOUSTIC & ELECTRICAL SPECIFICATIONS:

- Nominal Impedance: 8 ohm
- Power Rating: 600W Continuous Program
300W Continuous Sine Wave
- Frequency Response: 35 Hz (-3 dB), 25 Hz (-10 dB)
- Sensitivity: 95 dB SPL*
- Crossover Frequencies: N/A

SYSTEM COMPONENTS:

- Cabinet: C4645
- Grille: None
- Low Frequency Transducer: 460mm (18 in.)

*1 Watt (2.83 V RMS) @ 1 Meter

SYSTEM COMPONENTS: (cont'd)

- Crossover Network: None

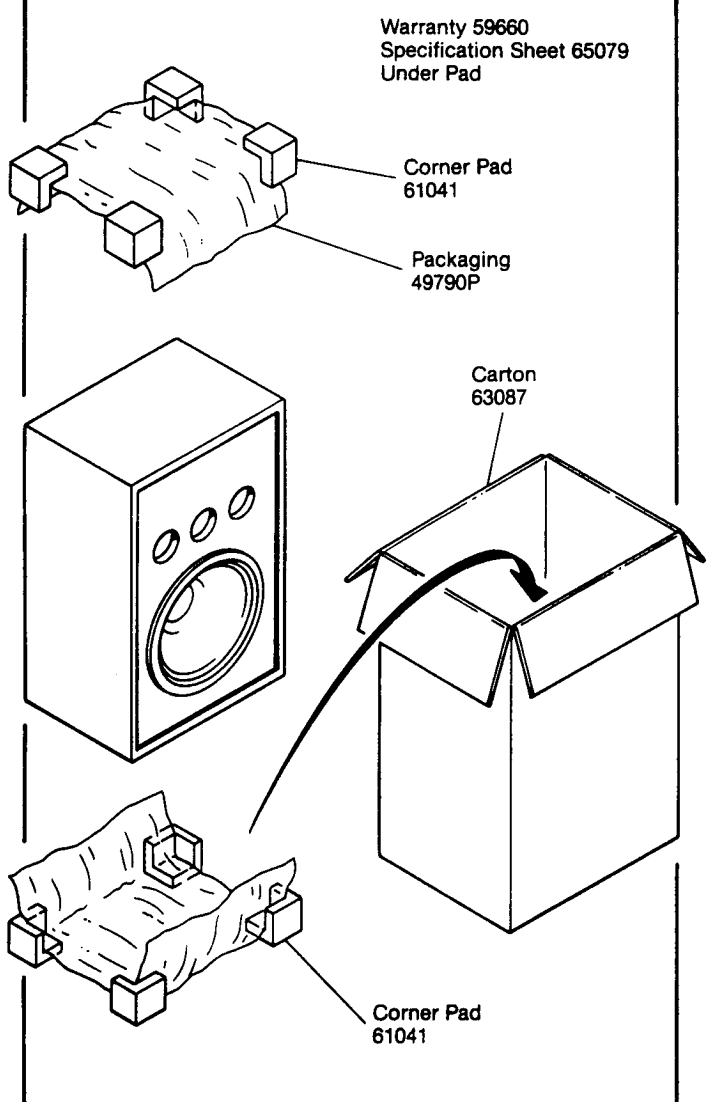
PHYSICAL SPECIFICATIONS:

- Enclosure Dimensions: 1060mm x 667mm x 464mm D
(39.75 x 26.5 x 17.25 in. D)
- Shipping Weight: 138 lbs.

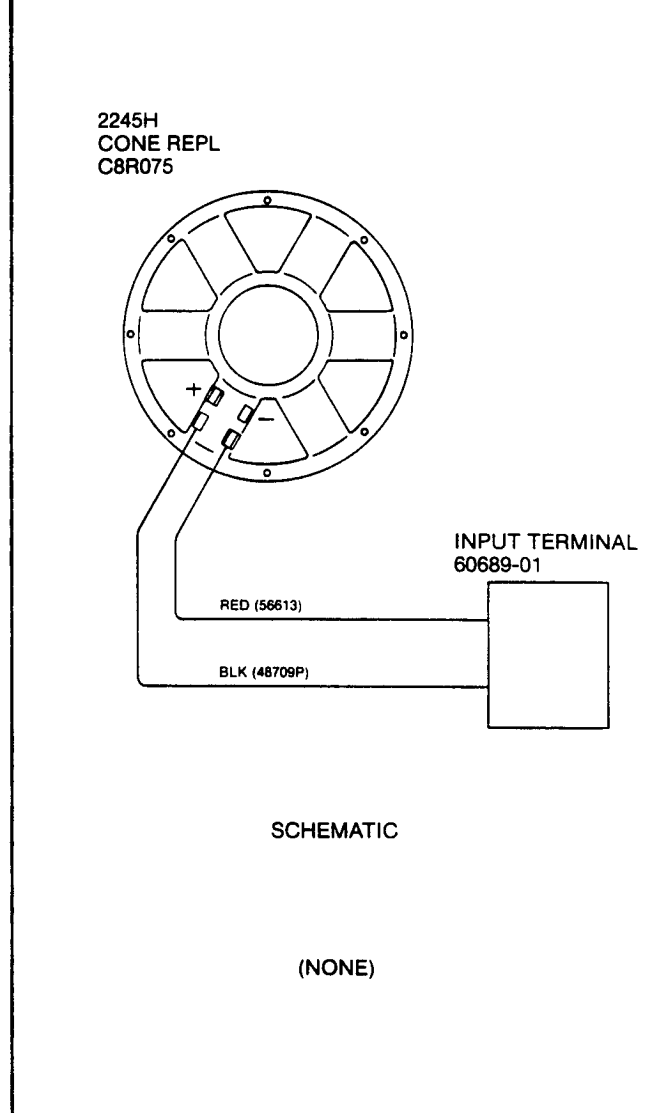
WARRANTY INFORMATION:

- Refer to the Warranty Statement packed with each product.

PACKAGE



WIRING DIAGRAM



JBL4645

COMPONENT EXPLODED VIEW

