

Technical Manual



JBL4628B KEYBOARD/ REINFORCEMENT

SPECIFICATIONS

ACOUSTIC & ELECTRICAL SPECIFICATIONS:

- Nominal Impedance: 8 ohm
- Power Rating: Continuous Pink Noise: 200W
Continuous Pink Noise: 400W
- Frequency Response: 35 Hz to 21.5 kHz
- Sensitivity: 98 dB SPL*
- Crossover Frequencies: 800 Hz - 3 kHz

SYSTEM COMPONENTS:

- Cabinet: C4628
- Grille: G4628
- Low Frequency Transducer: 380mm (15 in.) Cone Transducer

*1 Watt (2.83 V RMS) @ 1 Meter

SYSTEM COMPONENTS: (cont'd)

- Mid Frequency Transducer: 200mm (8 in.) Cone Transducer
- High Frequency Transducer: 44mm (1.75 in.) Aluminum Diaphragm Compression Driver
- Crossover Network: N4628

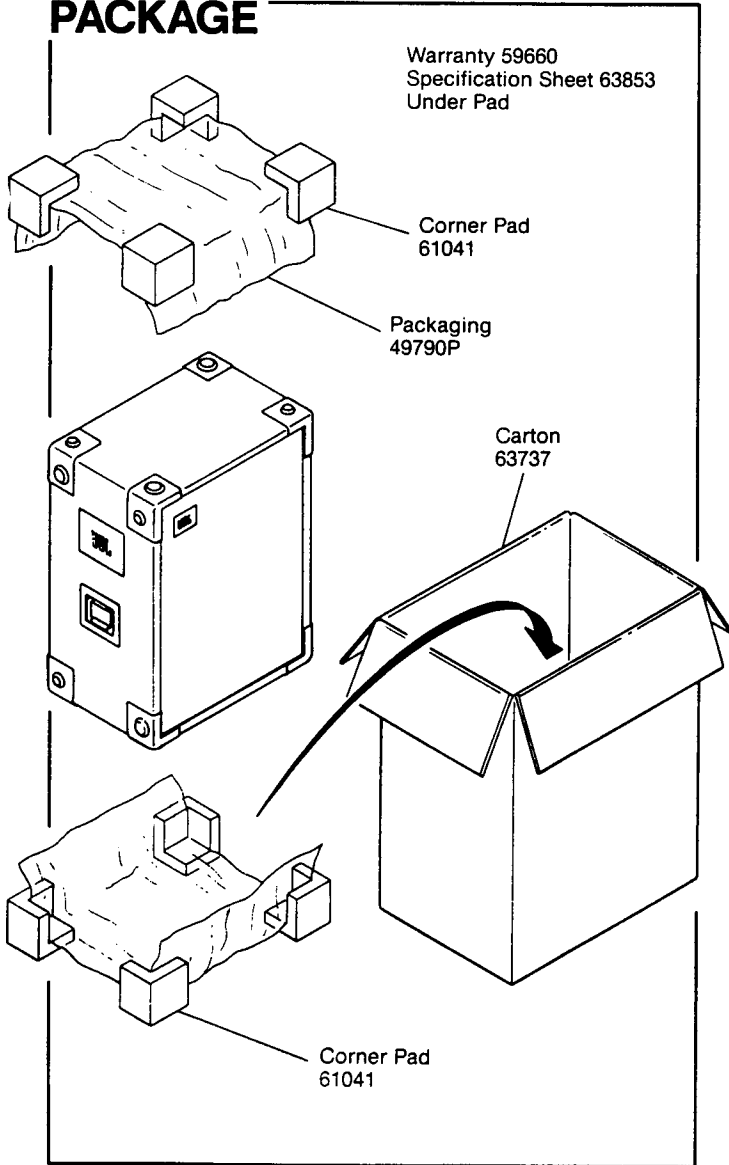
PHYSICAL SPECIFICATIONS:

- Enclosure Dimensions: 767mm x 512mm x 478mm D (30.18 x 20.12 x 18.81 in. D)
- Shipping Weight: 108½ lbs.

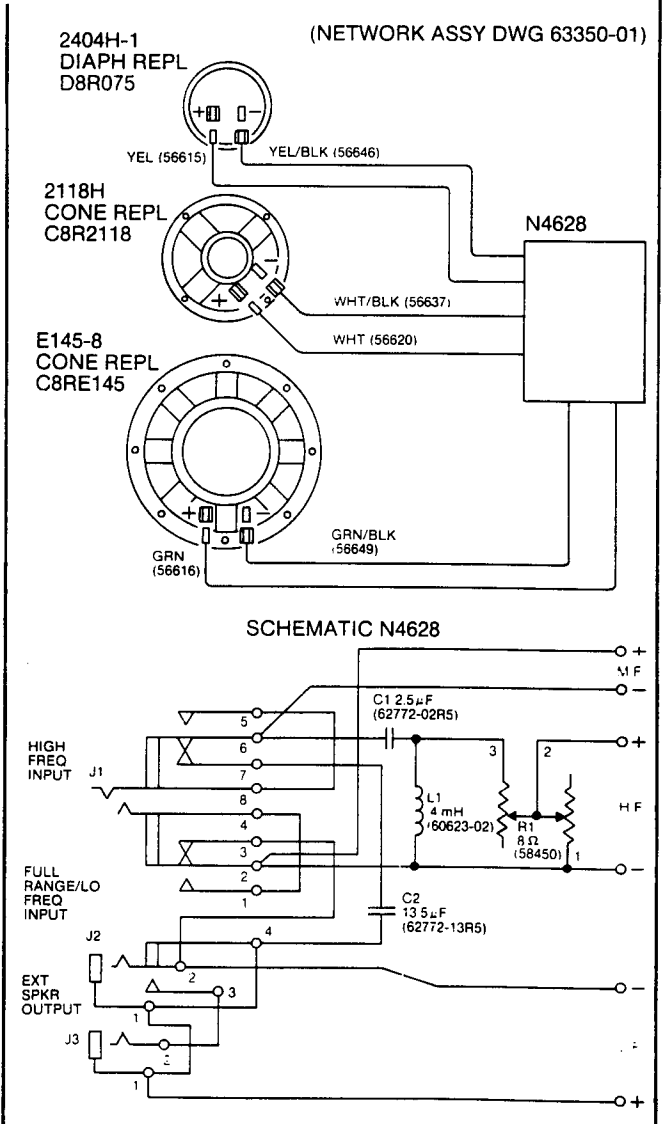
WARRANTY INFORMATION:

- Refer to the Warranty Statement packed with each product.

PACKAGE



WIRING DIAGRAM



JBL4628B

COMPONENT EXPLODED VIEW

