

# Technical Manual



# JBL4625B BASS GUITAR

## SPECIFICATIONS

### ACOUSTIC & ELECTRICAL SPECIFICATIONS:

- Nominal Impedance: 8 ohm
- Power Rating: Continuous Pink Noise: 200W  
Continuous Pink Noise: 400W
- Frequency Response: 40 Hz to 2.5 kHz (-10dB)
- Sensitivity: 100 dB SPL\*
- Crossover Frequencies: N/A

### SYSTEM COMPONENTS:

- Cabinet: C4625B
- Grille: G4625B

### SYSTEM COMPONENTS: (cont'd)

- Low Frequency Transducer: 380mm (15 in.)  
Cone Transducer
- Crossover Network: N4625B

### PHYSICAL SPECIFICATIONS:

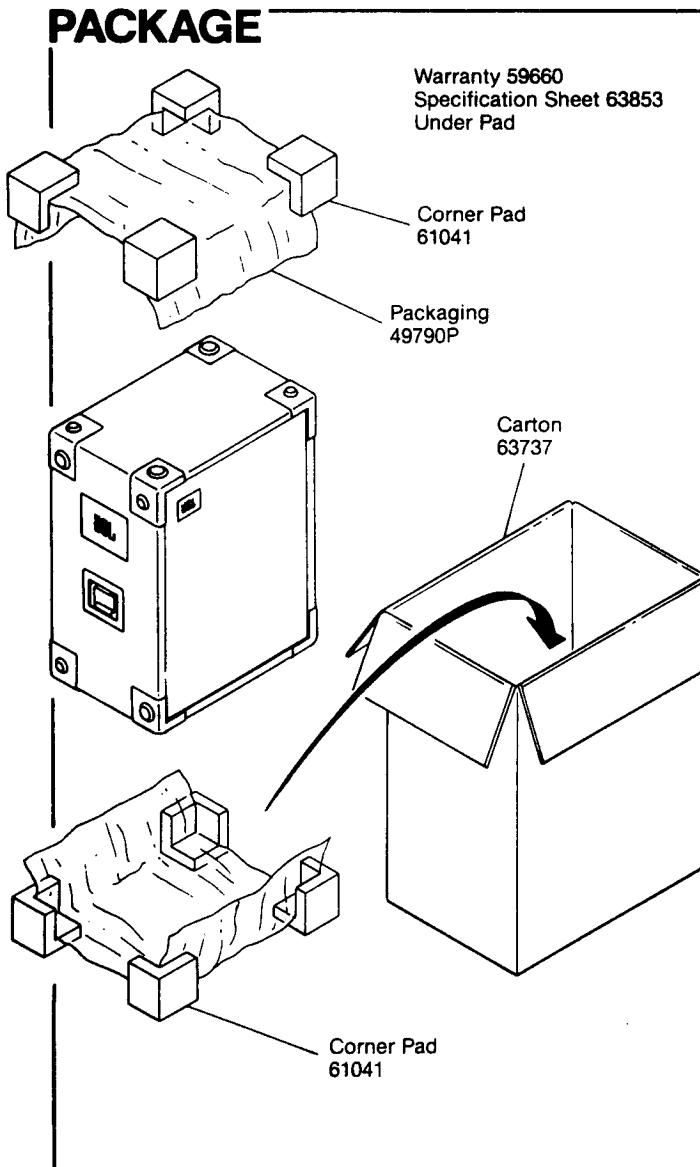
- Enclosure Dimensions: 767mm x 512mm x 478mm D  
(30.18 x 20.12 x 18.81 in. D)
- Shipping Weight: 89-½ lbs.

### WARRANTY INFORMATION:

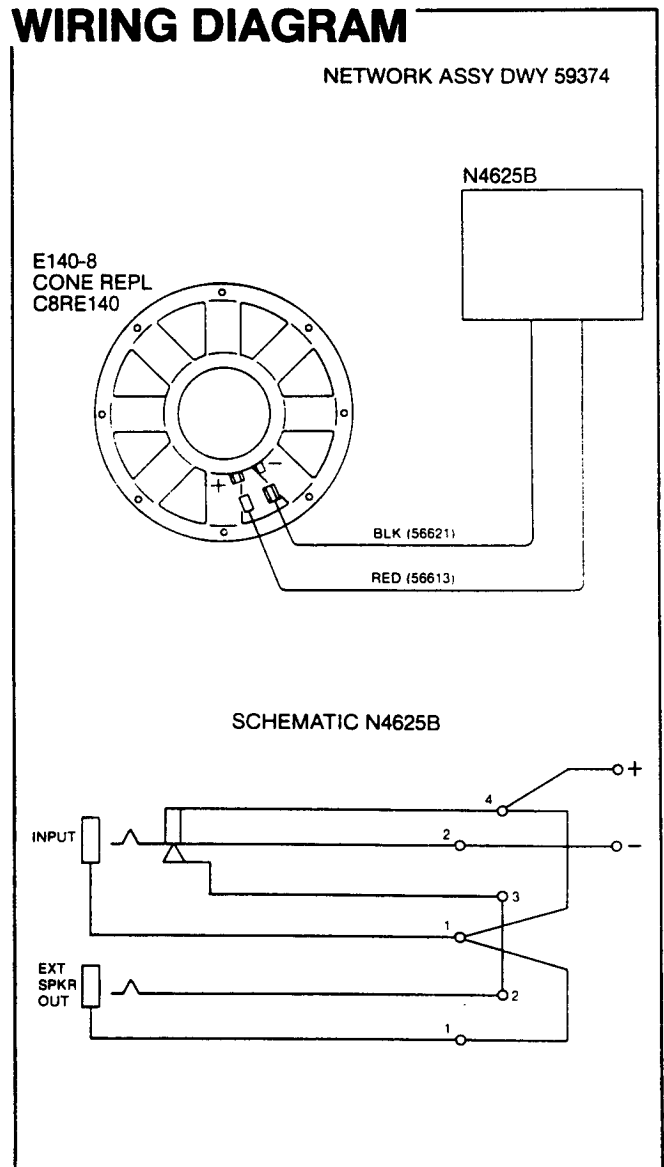
- Refer to the Warranty Statement packed with each product.

\*1 Watt (2.83 V RMS) @ 1 Meter

## PACKAGE

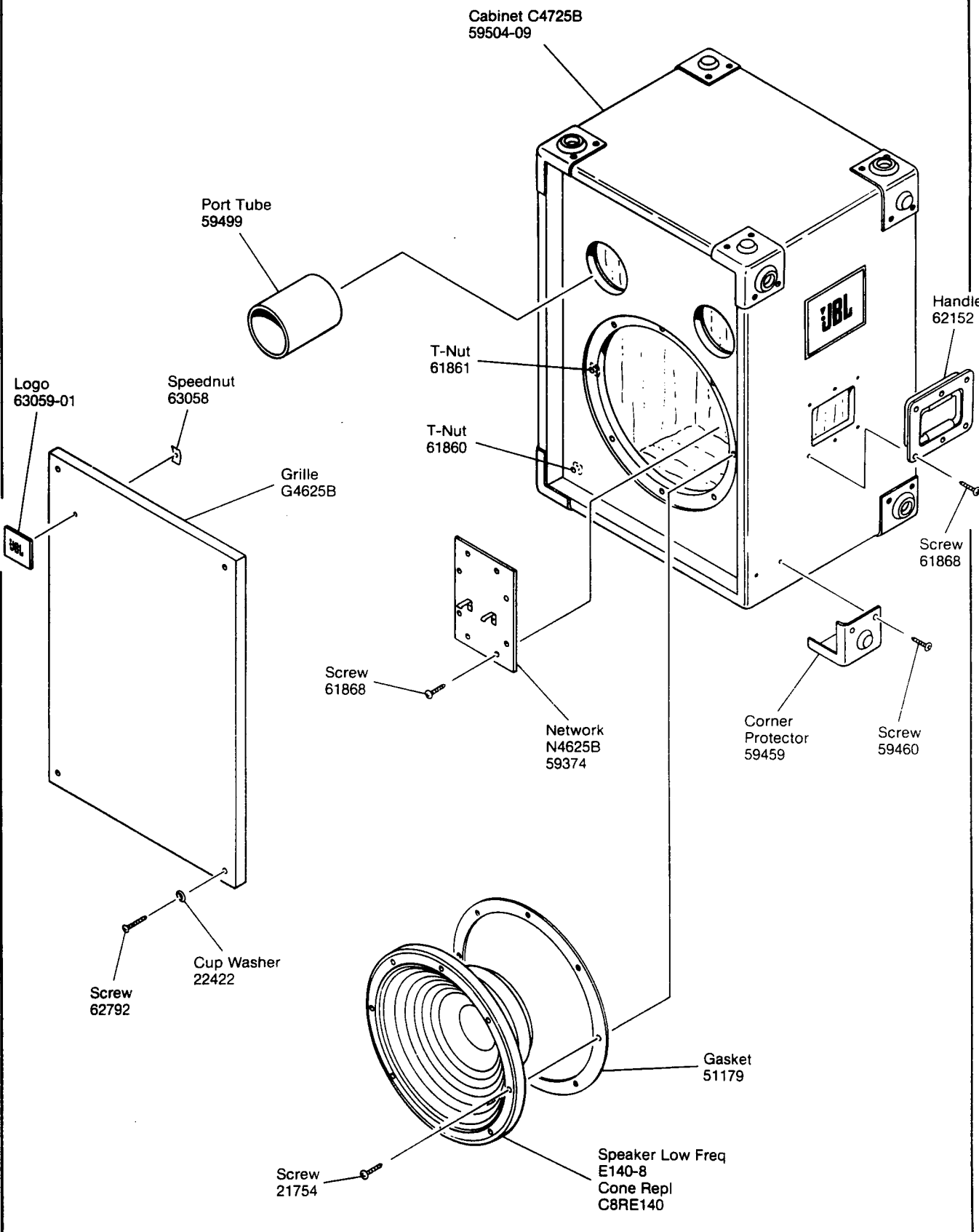


## WIRING DIAGRAM



# JBL4625B

## COMPONENT EXPLODED VIEW



JBL4625B