

# Technical Manual



# JBL4410 L,R STUDIO MONITOR

## SPECIFICATIONS

### ACOUSTIC & ELECTRICAL SPECIFICATIONS:

- Nominal Impedance: 8 ohm
- Power Rating: 125W, Pink Noise
- Frequency Response: 45 Hz to 20 kHz ( $\pm 2$  dB)
- Sensitivity: 91 dB SPL\*
- Crossover Frequencies: 800 Hz & 4.5 kHz

### SYSTEM COMPONENTS:

- Cabinet: C4410
  - Grille: G4410 (66952)
  - Low Frequency Transducer: 250mm (10 in.) Aquaplas Laminate Cone Transducer (127H-1)
  - DC Resistance: 6.0 ohm  $\pm 10\%$  — Copper Wire
  - Mid Range Transducer: 125mm (5 in.) Felted Paper Cone Transducer (104H-2)
  - DC Resistance: 4.2 ohm  $\pm 10\%$  — Aluminum Wire
- \*1 Watt (2.83 V RMS) @ 1 Meter

### SYSTEM COMPONENTS: (cont'd)

- High Frequency Transducer: 25mm (1 in.) Pure Titanium Dome Transducer (035TiA)
- DC Resistance: 3.5 to 4.2 ohm — Copper Wire
- Crossover Network: N4410, 3 Way System (669530-0060)

### AURAL SWEEP TEST SPECIFICATIONS:

- A. System Aural Sweep Test: 7.0V Input, 20 Hz to 20 kHz
- B. L.F. Aural Sweep Test: 6.0V Input, 20 Hz to 1.2 kHz
- C. M.F. Aural Sweep Test: 4.0V Input, 550 kHz to 1.2 kHz
- D. H.F. Aural Sweep Test: 2.0V Input, 2.0 kHz to 20 kHz

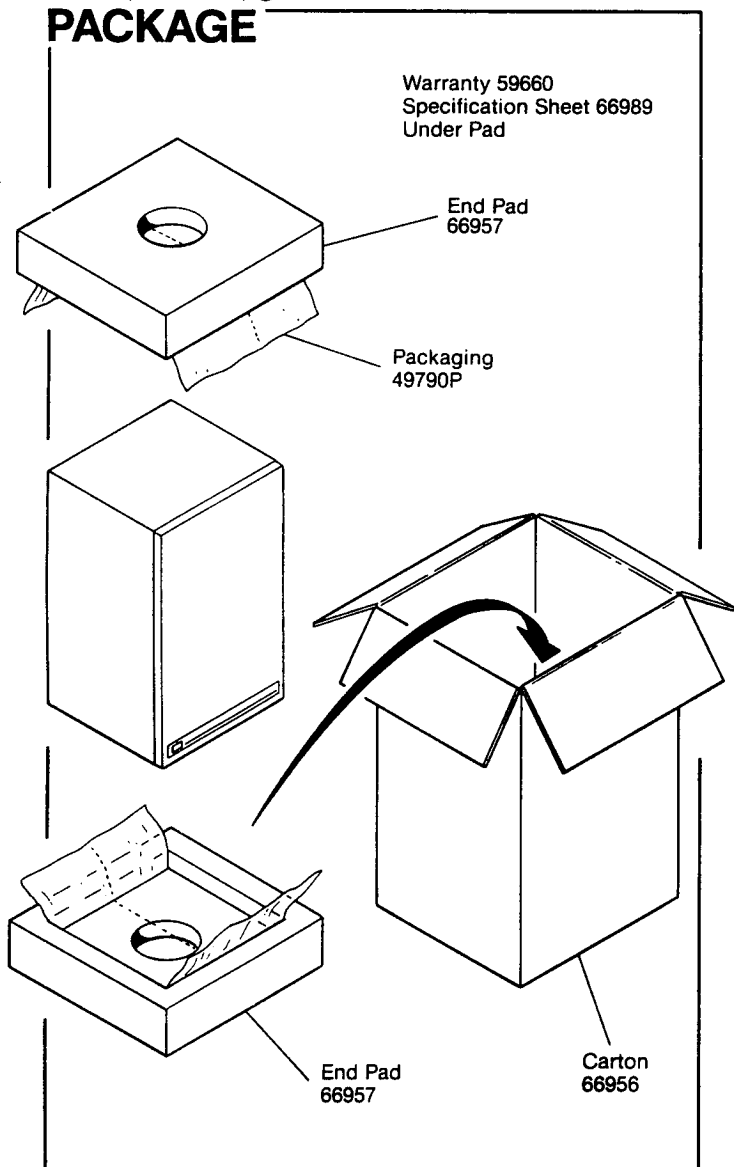
### PHYSICAL SPECIFICATIONS:

- Enclosure Dimensions: 597mm x 362mm x 286mm D (23.5 x 14.25 x 11.25 in. D)
- Shipping Weight: 50 lbs. (22.7 kg)

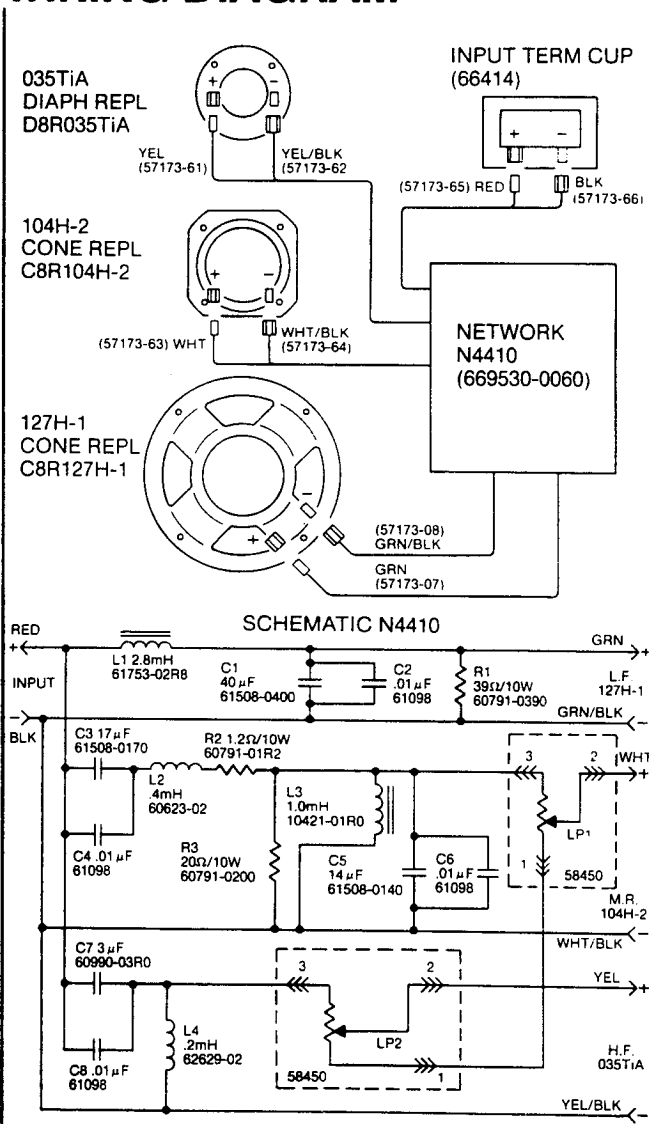
### WARRANTY INFORMATION:

- Refer to the Warranty Statement packed with each product.

## PACKAGE



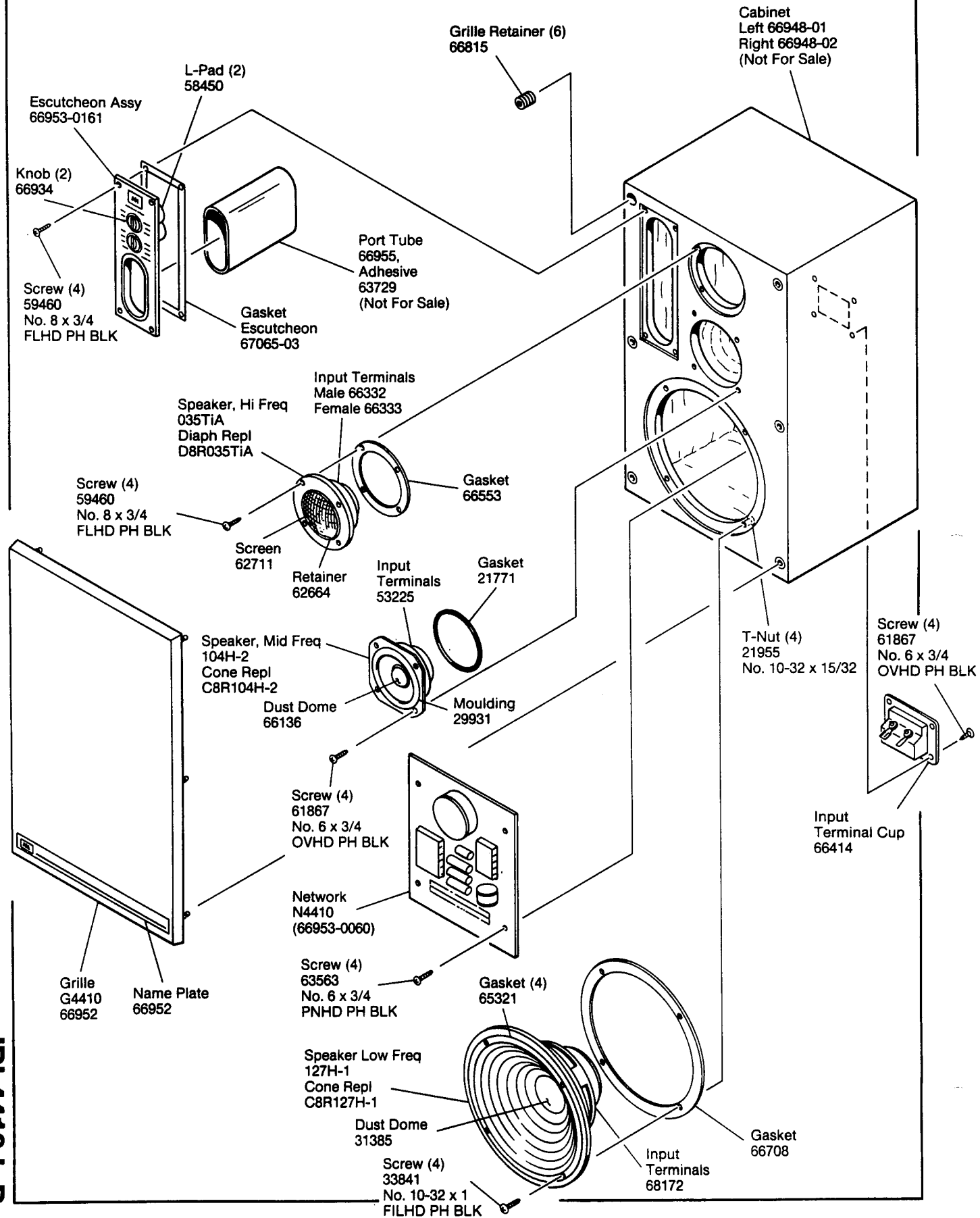
## WIRING DIAGRAM



JBL4410 L,R REV B

# JBL4410 L,R

## COMPONENT EXPLODED VIEW



JBL4410 L,R