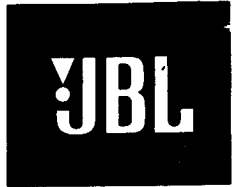


Technical Manual



JBL4408 STUDIO MONITOR

SPECIFICATIONS

ACOUSTIC & ELECTRICAL SPECIFICATIONS:

- Nominal Impedance: 8 ohm
- Power Rating: 100W, Pink Noise
- Frequency Response: 50 Hz to 20 kHz (± 2 dB)
- Sensitivity: 89 dB SPL*
- Crossover Frequencies: 2.5 kHz

SYSTEM COMPONENTS:

- Cabinet: C4408
- Grille: G4408 (66942)
- Low Frequency Transducer: 200mm (8.0 in.) Felted Cone (116H-2)
- DC Resistance: 4.25 ohm $\pm 10\%$ — Copper Wire

*1 Watt (2.83 V RMS) @ 1 Meter

SYSTEM COMPONENTS: (cont'd)

- High Frequency Transducer: 25mm (1 in.) Pure Titanium Dome Transducer (035TiA)
- DC Resistance: 3.5 to 4.2 ohm — Copper Wire
- Crossover Network: N4408, 2 Way System (67133-0060)

AURAL SWEEP TEST SPECIFICATIONS:

- A. System Aural Sweep Test: 7.0V Input, 20 Hz to 20 kHz
- B. L.F. Aural Sweep Test: 6.0V Input, 20 Hz to 1.2 kHz
- C. H.F. Aural Sweep Test: 2.0V Input, 2.0 to 1.2 kHz

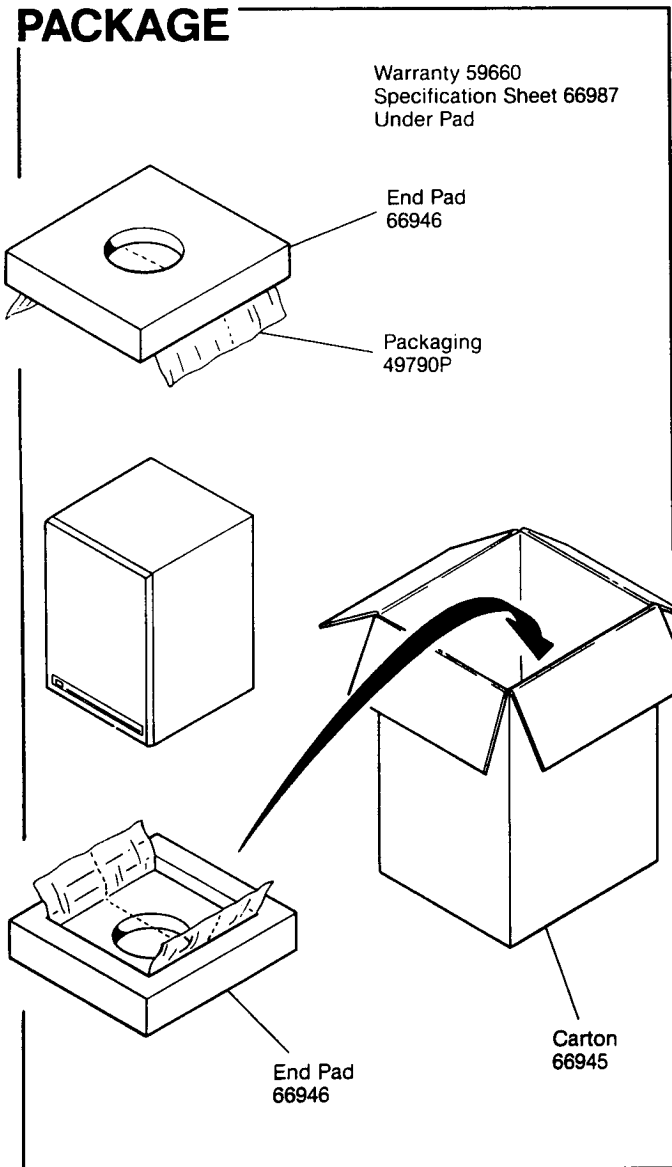
PHYSICAL SPECIFICATIONS:

- Enclosure Dimensions: 438mm x 305mm x 293mm D (17.25 x 12.0 x 11.62 in. D)
- Shipping Weight: 26 lbs. (11.8 kg)

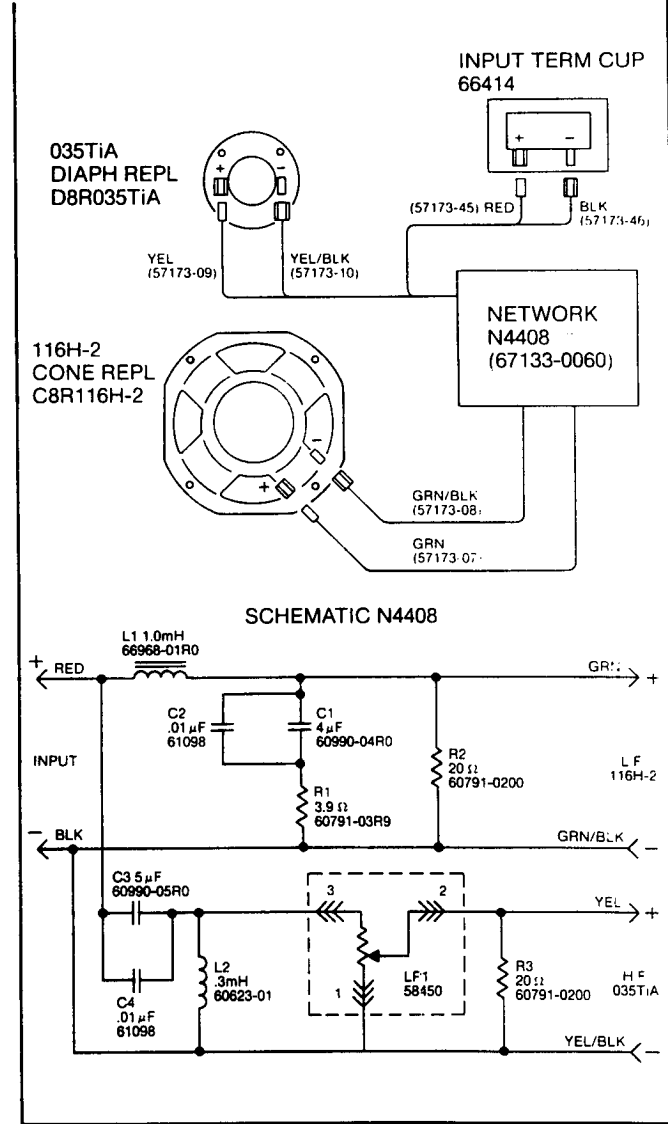
WARRANTY INFORMATION:

- Refer to the Warranty Statement packed with each product.

PACKAGE

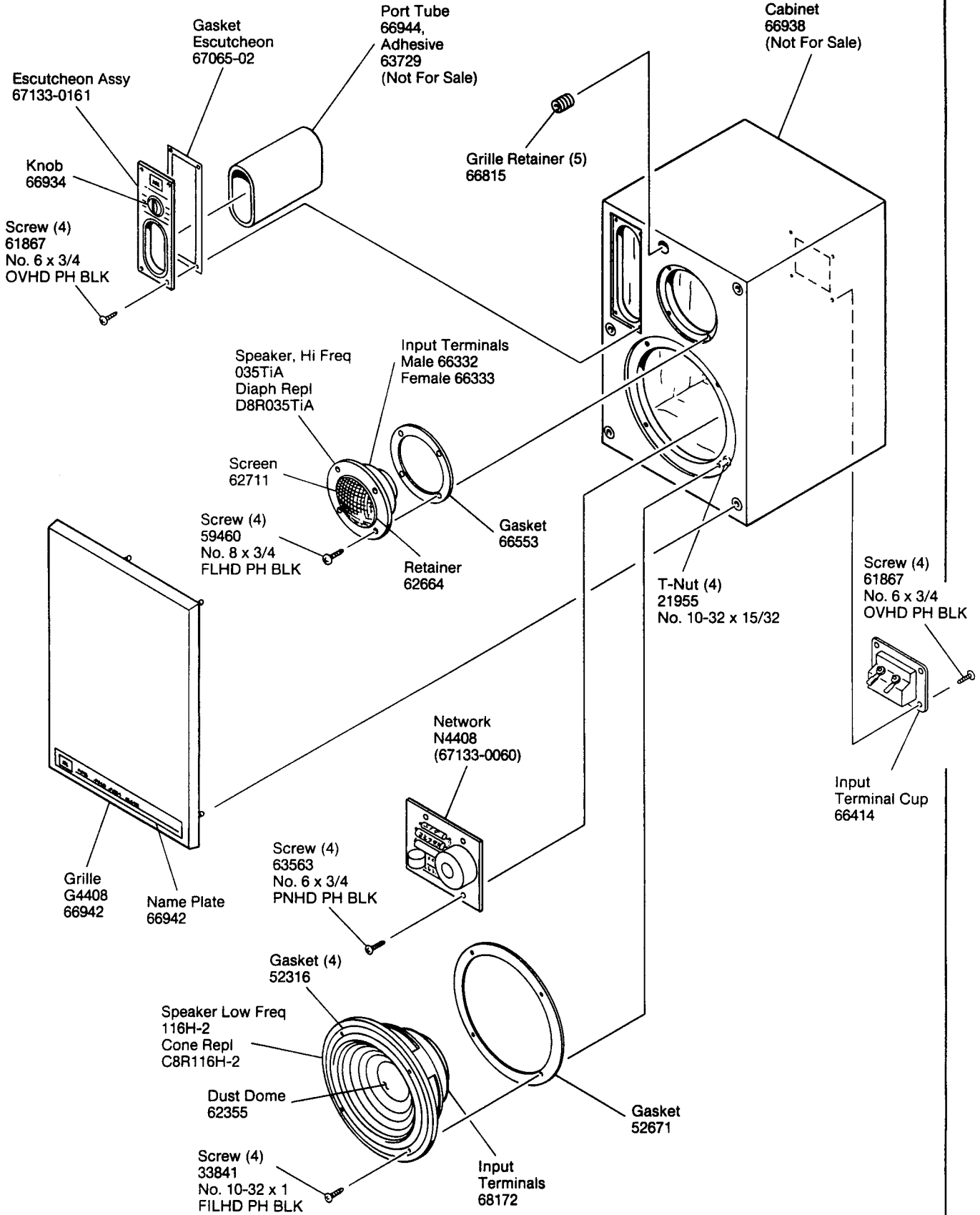


WIRING DIAGRAM



JBL4408

COMPONENT EXPLODED VIEW



JBL4408