

Technical Manual



JBL4401

SPECIFICATIONS

ACOUSTIC & ELECTRICAL SPECIFICATIONS:

- Nominal Impedance: 8 ohm
- Power Rating: 60W
- Frequency Response: 70 Hz to 18 kHz (± 3 dB)
- Sensitivity: 88 dB SPL*
- Crossover Frequencies: 2.5 kHz

SYSTEM COMPONENTS:

- Cabinet: C4401
- Grille: G4401 (62529)
- Low Frequency Transducer: 170mm (6.5 in.) Cone Transducer (115H)
- DC Resistance: 3.2 to 3.6 ohm — Copper Wire

*1 Watt (2.83 V RMS) @ 1 Meter

SYSTEM COMPONENTS: (cont'd)

- High Frequency Transducer: 25mm (1 in.) Pure Titanium Dome Transducer (034)
- DC Resistance: 5.4 to 6.6 ohm — Copper Wire
- Crossover Network: N4401, 2 Way System (62530)

AURAL SWEEP TEST SPECIFICATIONS:

- A. System Aural Sweep Test: 7.0V Input, 20 Hz to 20 kHz
- B. L.F. Aural Sweep Test: 6.0V Input, 20 Hz to 1.2 kHz
- C. H.F. Aural Sweep Test: 2.0V Input, 2.0 kHz to 20 kHz

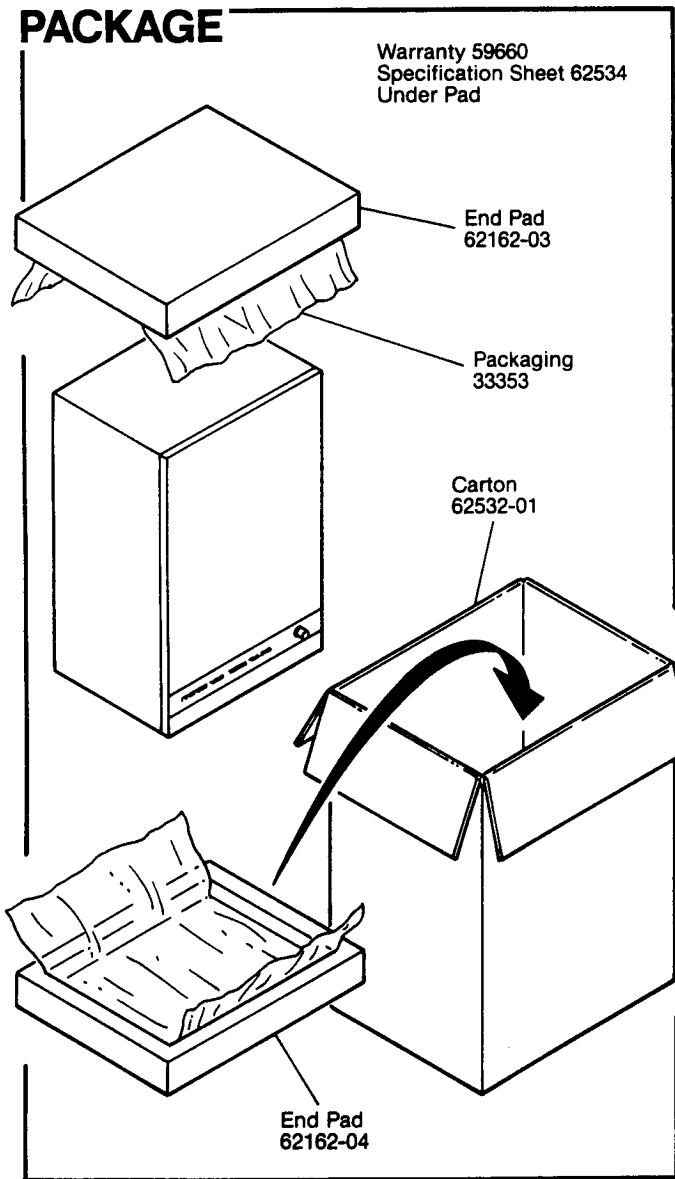
PHYSICAL SPECIFICATIONS:

- Enclosure Dimensions: 375mm x 238mm x 182mm D (14.75 x 9.38 x 7.18 in. D)
- Shipping Weight: 35 lbs. (15.8 kg)

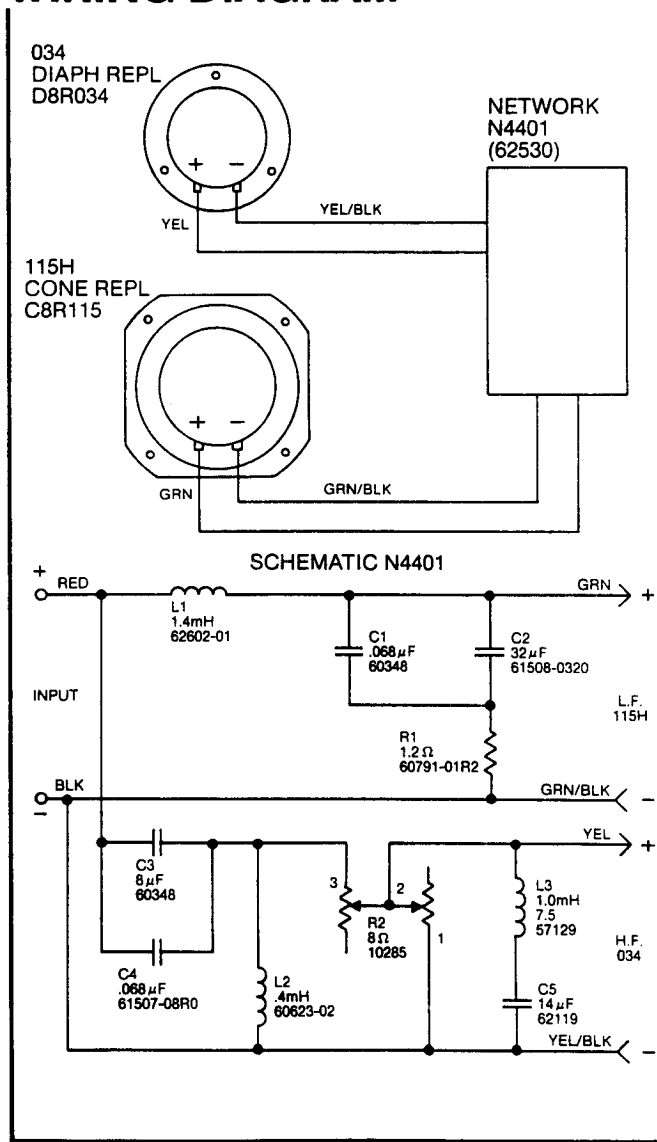
WARRANTY INFORMATION:

- Refer to the Warranty Statement packed with each product.

PACKAGE



WIRING DIAGRAM



JBL4401 REV B

JBL4401

COMPONENT EXPLODED VIEW

