

Technical Manual

JBL4355 STUDIO MONITOR



SPECIFICATIONS

ACOUSTIC & ELECTRICAL SPECIFICATIONS:

- Nominal Impedance: 4 ohm L.F., 8 ohm H.F.
- Power Rating: 300W below 290 Hz
150W above 290 Hz
- Frequency Response: 28 Hz to 20 kHz (±3 dB)
- Sensitivity: 96 and 99 dB SPL*
- Crossover Frequencies: Low 290 Hz, Mid 1.2 kHz, High 10 kHz

SYSTEM COMPONENTS:

- Cabinet: C4355
- Grille: G4355
- Low Frequency Transducer: 380mm (15 in.) Cone Transducer (2235H)(2)

*1 Watt (2.83 V RMS) @ 1 Meter

SYSTEM COMPONENTS: (cont'd)

- Mid Frequency Transducer: 300mm (12 in.) Cone Transducer (2202H)
- High Frequency Transducer: 50mm (2 in.) Compression Driver (2441)
- Ultra High Frequency Transducer: 44mm (1-3/4 in.) Aluminum Diaphragm (2405H)
- Crossover Network: 3155

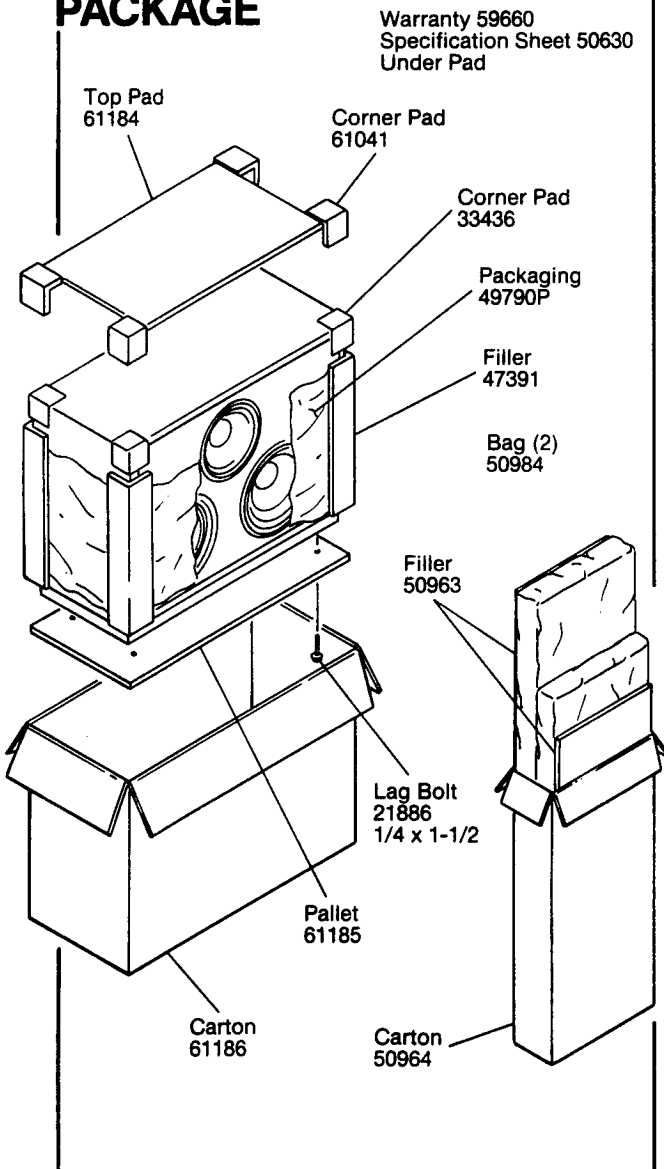
PHYSICAL SPECIFICATIONS:

- Enclosure Dimensions: 901mm x 1223mm x 510mm D (35.5 x 48.12 x 20.0 in. D)
- Shipping Weight: 309 lbs. (140 kg)

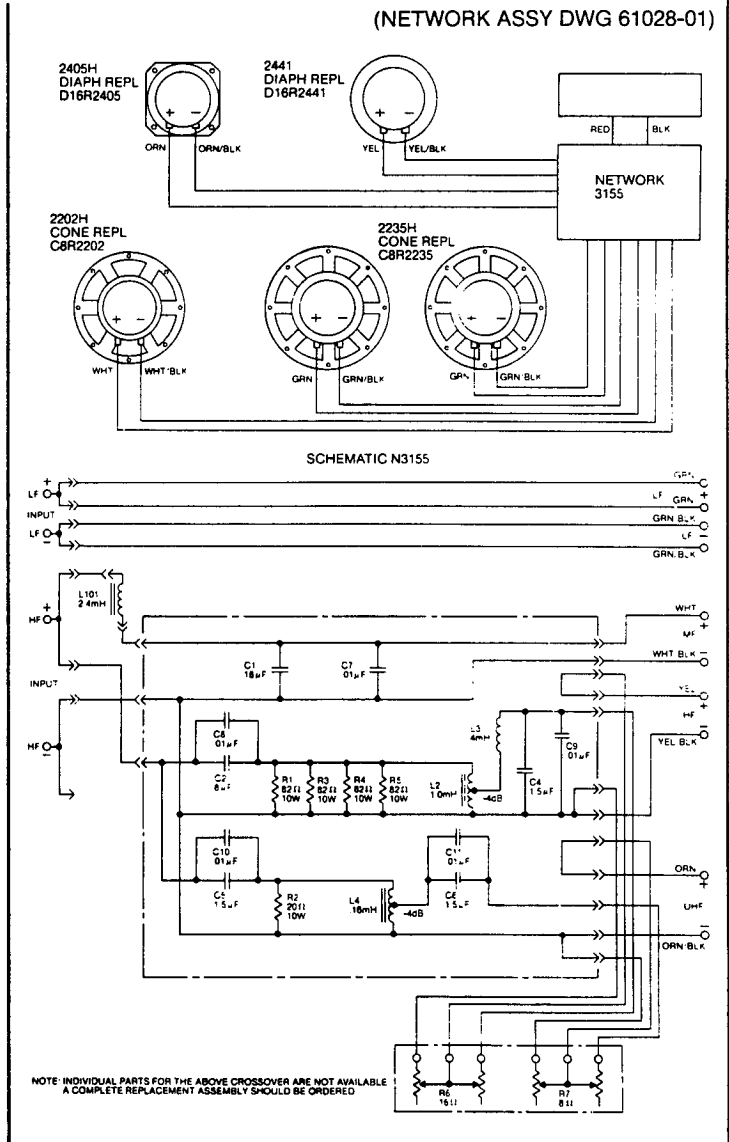
WARRANTY INFORMATION:

- Refer to the Warranty Statement packed with each product.

PACKAGE



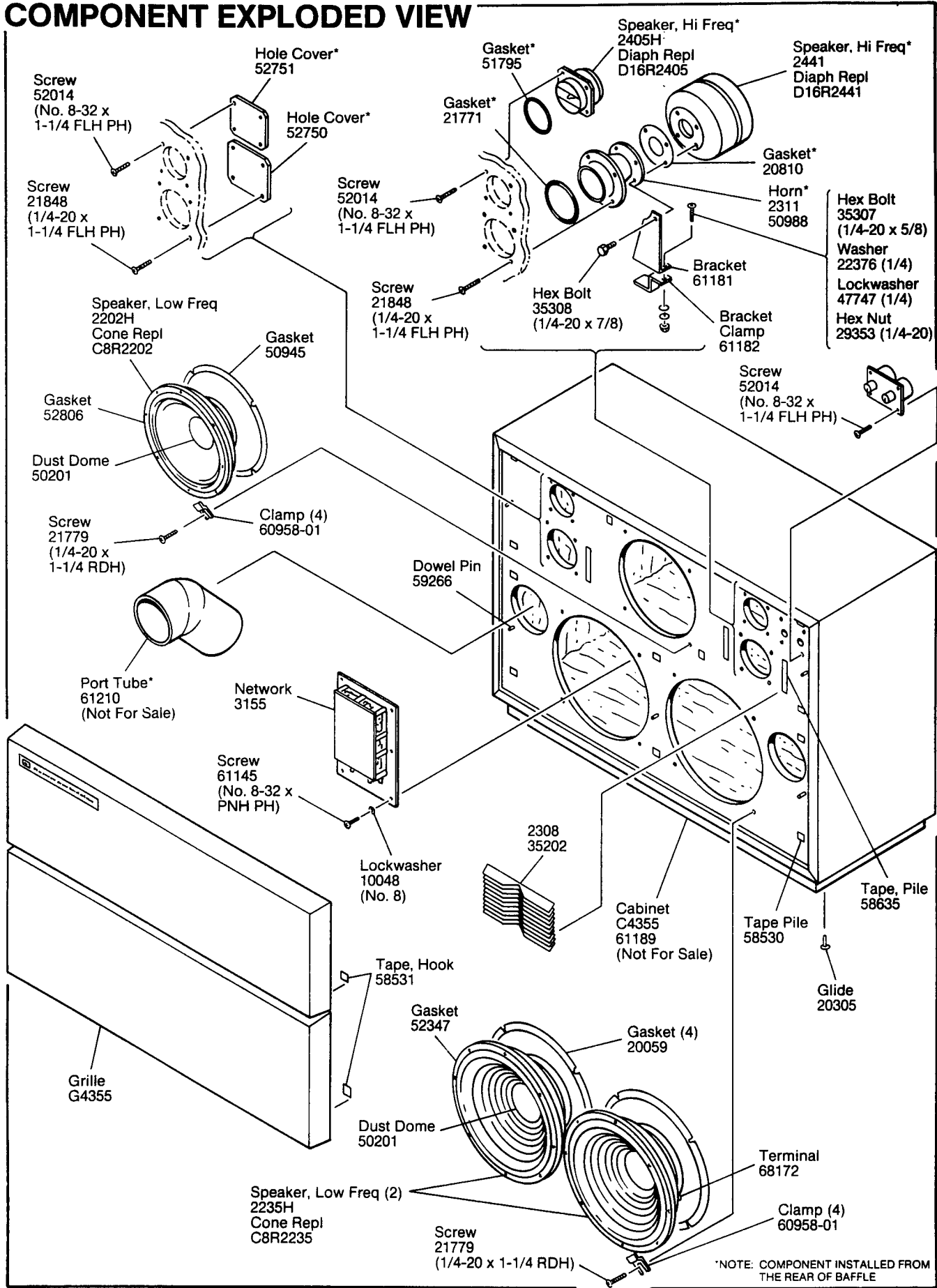
WIRING DIAGRAM



JBL4355 REV A

JBL4355

COMPONENT EXPLODED VIEW



*NOTE: COMPONENT INSTALLED FROM THE REAR OF BAFFLE