



JBL 2800

SPECIFICATIONS

ACOUSTIC & ELECTRICAL SPECIFICATIONS:

- Nominal Impedance: 8 ohm
- Power Rating: 10W to 125W
- Frequency Response: 55 Hz to 23 kHz
- Sensitivity: 89 dB SPL*
- Crossover Frequencies: 2.5 kHz

SYSTEM COMPONENTS:

- Cabinet: 70687 (Santa Rosa Oak)
70687-01 (Blk Ash)
- Grille: 70688

*1 Watt (2.83 V RMS) @ 1 Meter

SYSTEM COMPONENTS: (cont'd)

- Low Frequency Transducer: 203mm (8.0 in.) High Polymer Laminate (508G)
- High Frequency Transducer: 12mm (½ in.) Pure Titanium Dome (Ultra 1230) (70740)
- Crossover Network: 70559

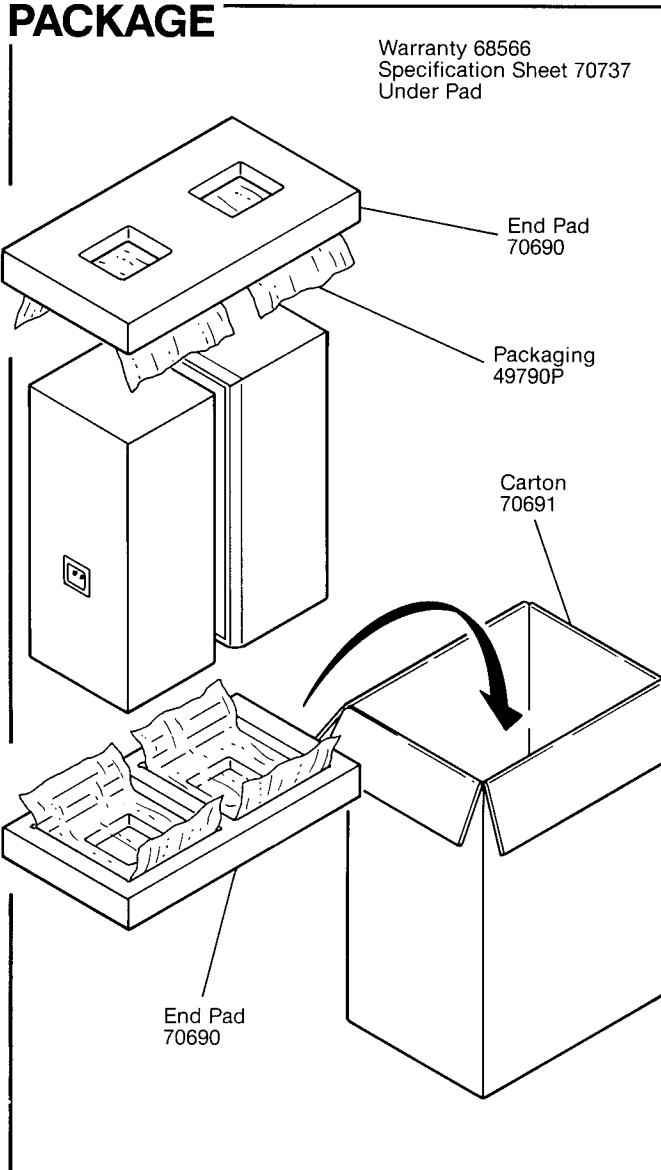
PHYSICAL SPECIFICATIONS:

- Enclosure Dimensions: 572mm x 279mm x 241mm D (22.5 x 11.0 x 9.5 in. D)
- Shipping Weight: 20 lbs.

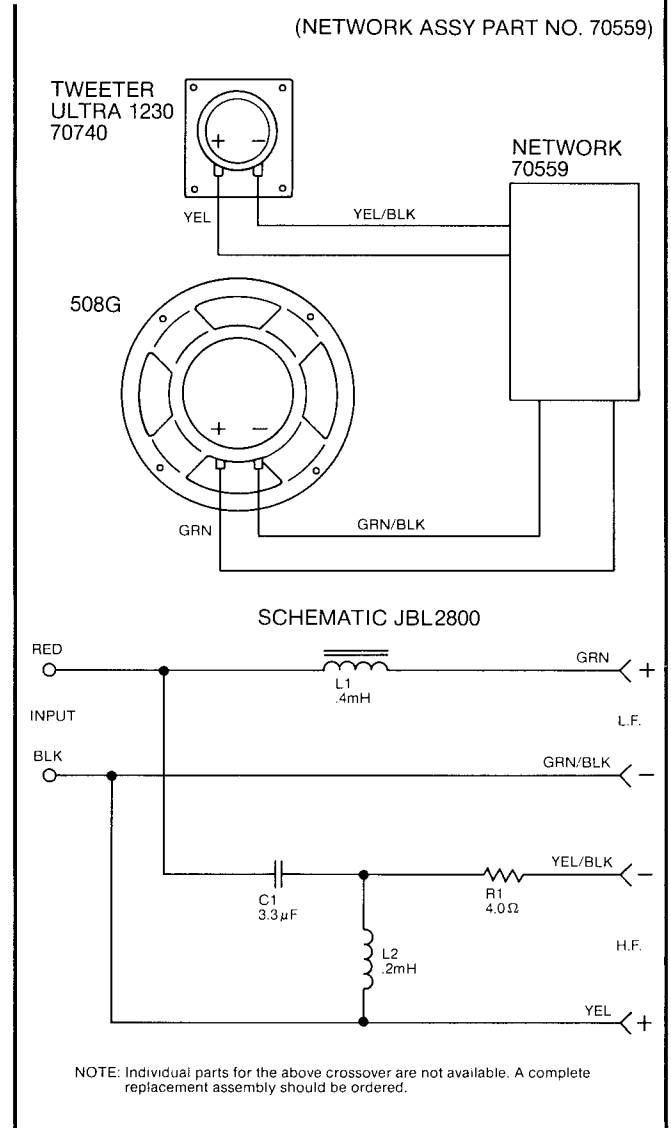
WARRANTY INFORMATION:

- Refer to the Warranty Statement packed with each product.

PACKAGE



WIRING DIAGRAM



DRIVER	TEST VOLTAGE	SWEEP FREQUENCY	DCR MIN-MAX.
70740	2.83	5KHZ-20KHZ	5.5-6.5 OHMS
508G	4	20HZ-1KHZ	5.6-6.2 OHMS

JBL 2800

COMPONENT EXPLODED VIEW

